



ABC GASKET KIT PROGRAM



NEW REPLACEMENT PARTS FOR HEAVY EQUIPMENT



Costex Tractor Parts
Division of Costex Corporation

TABLE OF CONTENT

Model	Page
Gasket Materials Explained	4
About the ABC Gasket Program	6

Gasket Kits

Model	Page
C-7	14
C-9	23
C-9.3	30
C-10	33
C-11	44
C-12	46
C-13	55
C-15	64
C-18	74
C-27	76
3114	78
3116	79
3126	95
3176 / 3196	152
3204	153
3208	154
3304	156
3306	161
3406	167
3408	204
3412	208
3456	210
3508	211
3512	212
3516	213
3520G / D353	215

Torque Specifications


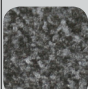

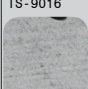


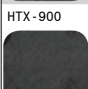

Model	Page
C-7	217
C-9 / C-11	218
C-10 / C-12	219
C-13 / C-15	220
C-18 / C-27	221
3116	222
3126	223
3126B	224
3126E	225
3208	226
3304	227
3306 / 3406E	228
3406B	229
3408	230
3412	231
3508/ 3512/ 3516	232
3456/ D353	233

ABOUT THE GASKET MATERIALS

What are the CTP's Gaskets made out of?

Gaskets are produced from solvent free materials, environmentally friendly, asbestos free. Materials are treated with an anti-stick coating on both sides to better protect the gasket and the machine itself.

Material	Gasket Type	Material	Application	Maximum Short Duration Temperatures
	Cork Gasket	Cork/synthetic rubber blend	Medium Oil resistance of most Sealing application: ✓ Valve Covers ✓ Oil Pans ✓ Transmission Pans	up to 200°C (392°F)
	Paper Gasket	Compressed MicroPore material, combining a unique synthetic fiber matrix and fully cured Nitrile Butadiene rubber binder	Excellent sealability and torque retention properties for OEM and Industrial Applications.	up to 350°C (650°F)
	Paper Gasket	Fully cured Nitrile Butadiene rubber binder	Heavy-duty and Industrial Applications: ✓ Diesel engine ✓ Transmission ✓ Refrigeration ✓ Piping	up to 290°C (550°F)
	Paper Gasket	Controlled swell gasket material with Styrene Butadiene and natural rubber binders	Heavy-duty oil sealing Applications: ✓ Diesel engine ✓ Oil pans ✓ Front covers	up to 290°C (550°F)
	Paper Gasket	High-density material with fully cured Nitrile Butadiene rubber binder	Heavy-duty Diesel engine Applications: ✓ Oil resistance ✓ Fuel resistance	up to 290°C (550°F)
	Paper Gasket	MicroPore with a Nitrile Butadiene binder	Excellent low flange pressure sealability and bolt torque retention for heavy-duty applications: ✓ Compressors ✓ Diesel engines ✓ Others	up to 205°C (400°F)
	Paper Gasket	Reinforced Cellulose with Nitrile binder	Excellent crush resistance at high flange pressure for small Engine and Compressor Applications: ✓ Oil ✓ Fuel ✓ Water	up to 180°C (350°F)

Material	Gasket Type	Material	Application	Maximum Short Duration Temperatures
	Paper Gasket	Synthetic fibers, advanced fillers and Nitrile Butadiene binders	Various Oil, Air, and Coolant Applications: ✓ Oil pans ✓ Front covers ✓ Intake manifolds ✓ Rear seals	up to 290°C (550°F)
	Paper Gasket	Low density Cellulose fiber material with high rubber filler content and Nitrile Butadiene rubber binder	Excellent sealing at low flange pressures for Oil and Water Applications: ✓ Engine ✓ Transmission pan gaskets ✓ Water pumps ✓ Environmental seals	up to 180°C (350°F)
	Paper Gasket	Latent cure Styrene Butadiene bound material with reinforced Cellulose fiber	Excellent sealing for: ✓ Oil ✓ Fuel ✓ Low-pressure Steam	up to 180°C (350°F)
	Paper Gasket	Fully cured Styrene Butadiene rubber binder and a blend of Aramid and Cellulose fibers	Oil and Water Applications	up to 290°C (550°F)
	Paper Gasket	MicroPore with a Nitrile Butadiene binder	Heavy-duty applications: ✓ Valve body ✓ Applications with high fluid pressures and flow rates exposure ✓ Erosion Resistance	up to 290°C (550°F)
	Metal Gasket	Composite structure of high-density, fully cured Nitrile Butadiene bound gasket facings chemically and mechanically fused to an expanded steel core	High performance Diesel engine structural joint applications: ✓ Gear case ✓ Flywheel housings ✓ High pressure hydraulic joints	up to 290°C (550°F)
	Metal Gasket	Graphite-coated, high temperature facing material chemically and mechanically fused to an expanded steel core	High strength, thermal integrity, and anti-stick performance sealing applications: ✓ Exhaust manifolds ✓ Header ✓ Collector ✓ EGR system gaskets	up to 760°C (1,400°F)
	Metal Gasket	Non-asbestos Cellulose fiber combined with Nitrile latex and thermosetting resins	High Performance, non-extruding metal support sealing application: ✓ Intake manifolds ✓ Transmission ✓ Braking system ✓ Industrial Applications	up to 205°C (400°F)

ABOUT THE ABC GASKET PROGRAM

What is CTP's ABC Gasket Program?

This is a program designed to consolidate gasket kits and make it easier for the parts person to order and for the rebuilder himself to quickly identify and organize the seals and gaskets. At the same time they can be assured that everything they need is included for each particular rebuild.

Kits are packaged into sub kits (front set, rear set, lower set, etc.) inside the gasket kit box for easy identification.

Why buy CTP's ABC Gasket Kits?

Everyone likes to keep things simple and organized. We can help you do that while offering you the reliability and premium quality that comes with every CTP product.

The ABC Gasket Kit Program offers you the following:

- * 1 box instead of 10 boxes.
- * Kits are divided and labeled into sub-kits inside the gasket kit box for easy identification.
- * Less shipping costs. (1 box compared to 10 boxes)
- * Less warehouse space. (1 box compared to 10 boxes)
- * Faster inventory turnover.
- * More machine coverage with lower investment in inventory.
(Each special kit covers a wide range of serial numbers)
- * Simplified part number system. A= , B= , C=
- * All necessary seals and gaskets are included in a kit for a particular rebuild (inframe, out of frame or a head set)
You won't have to worry that anything is missing.



How you choose from the different sets of kits:

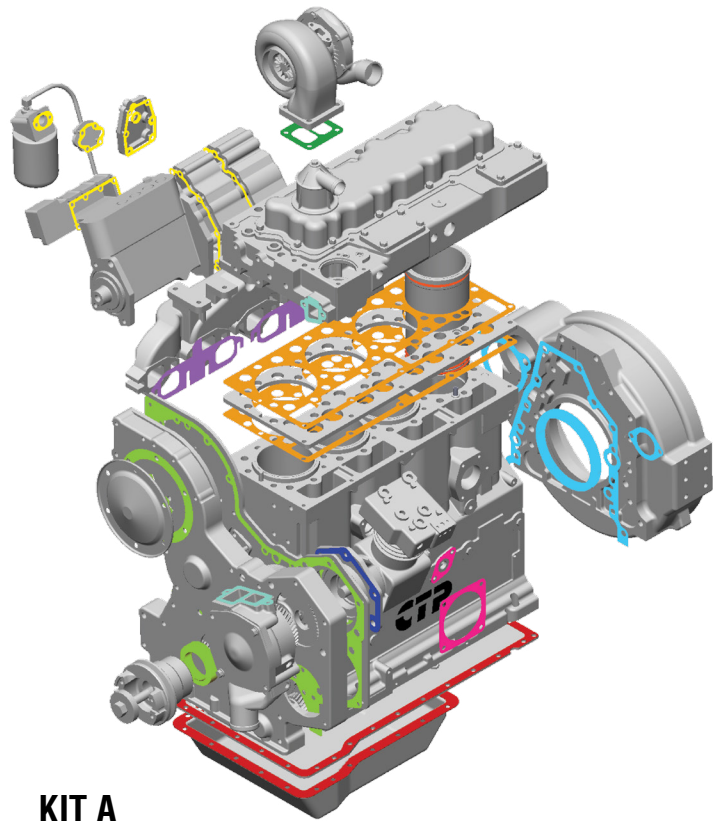
A = Out of Frame Overhaul Gasket Set

B = Inframe Overhaul Gasket Set

C = Cylinder Head Replacement Set (Single or Multiple)

Other options will be identified with the letters D or E.

The part number will be made up of: CTP+engine number+consecutive number+A,B,C (D or E suffix if available).



KIT A

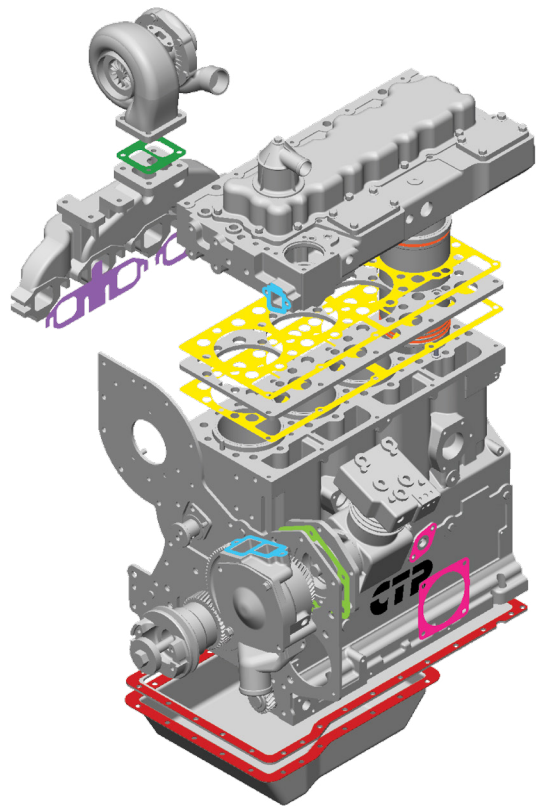
- Air Inlet Manifold Set
- Front Cover Kit
- Rear Cover Kit
- Cylinder Head Kit
- Oil Cooler & Lines Set
- Lower 8 Central Structure Kit
- Fuel System Set
- Turbo Charger Set
- Cylinder Liner Kit
- Air Compressor Set
- Water Pump Set

KIT A (OUT OF FRAME OVERHAUL)

CYLINDER HEAD SET	CONTAINS THE GASKETS AND SEALS TO REINSTALL A SINGLE CYLINDER HEAD. KIT DOES NOT INCLUDE THE FUEL INJECTOR SEALS.
SINGLE CYLINDER LINER	CONTAINS LINER SEALS (# CYLINDERS).
FUEL INJECTOR	CONTAINS FUEL INJECTOR SEALS. (Note: Injector seals are regularly included in the Fuel System Kit.)
FUEL SYSTEM	CONTAINS THE GASKETS AND SEALS TO REINSTALL ENGINE MOUNTED FUEL SYSTEM COMPONENTS. (Note: Injector seals are regularly included in this Kit.)
FRONT COVER	CONTAINS THE GASKETS AND SEALS TO REINSTALL THE FRONT COVER.
CENTRAL & LOWER STRUCTURE	CONTAINS THE GASKETS AND SEALS TO REINSTALL THE OIL PAN, OIL PUMP, & BLOCK COVERS.
REAR COVER	CONTAINS THE GASKETS AND SEALS TO REINSTALL THE REAR COVER.
AIR COMPRESSOR SET	CONTAINS THE GASKETS & SEALS TO REBUILD & REINSTALL THE AIR COMPRESSOR & ATTACHING LINES.
WATER PUMP SET	CONTAINS THE GASKETS & SEALS TO REBUILD & REINSTALL WATER PUMP & ATTACHING LINES.
OIL COOLER & LINES SET	CONTAINS THE GASKETS & SEALS TO REINSTALL THE OIL COOLER(S), OIL FILTER BASE & ATTACHING LINES.
TURBOCHARGER SET	CONTAINS THE GASKETS & SEALS TO REBUILD & REINSTALL THE TURBO & ATTACHING LINES. (If required.)
AIR INLET MANIFOLD SET	CONTAINS THE GASKETS & SEALS TO REINSTALL THE AIR INLET MANIFOLD. (Note: Inlet Manifold Seals are regularly included in a Turbocharger Set.)
AFTERCOOLER SET	CONTAINS THE GASKETS & SEALS TO REINSTALL THE AFTERCOOLER. (If required.)

The images and content displayed on this booklet are protected by copyright and other applicable laws and are the property of Costex Tractor Parts. They are made available for viewing solely for demonstration and illustrative use purposes only and may not be copied, reproduced, downloaded, modified, displayed or distributed in any way without the prior written permission of Costex Tractor Parts.

KIT B (IN FRAME OVERHAUL)

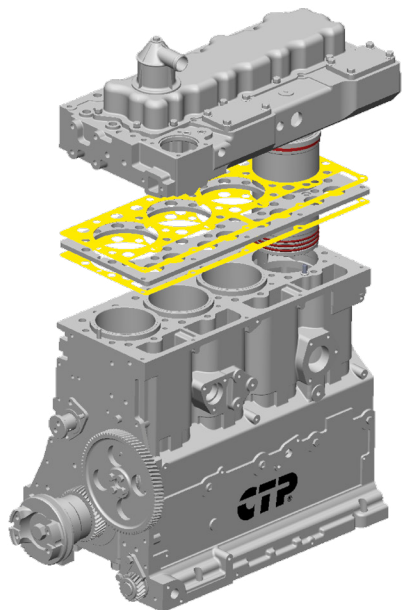


KIT B

- Air Inlet Manifold Set
- Turbo Charger Set
- Air Compressor Set
- Cylinder Liner Kit
- Water Pump Set
- Cylinder Head Kit
- Lower 8 Central Structure Kit
- Oil Cooler 8 Lines Set

CYLINDER HEAD SET	CONTAINS THE GASKETS AND SEALS TO REINSTALL A SINGLE CYLINDER HEAD. KIT DOES NOT INCLUDE THE FUEL INJECTOR SEALS.
SINGLE CYLINDER LINER	CONTAINS LINER SEALS (# CYLINDERS).
FUEL INJECTOR	CONTAINS FUEL INJECTOR SEALS. (Note: Injector seals are regularly included in the Fuel System Kit.)
FUEL SYSTEM	NOT INCLUDED.
FRONT COVER	NOT INCLUDED.
CENTRAL & LOWER STRUCTURE	CONTAINS THE GASKETS AND SEALS TO REINSTALL THE OIL PAN, OIL PUMP, & BLOCK COVERS.
REAR COVER	NOT INCLUDED.
AIR COMPRESSOR SET	CONTAINS THE GASKETS & SEALS TO REBUILD & REINSTALL THE AIR COMPRESSOR & ATTACHING LINES.
WATER PUMP SET	CONTAINS THE GASKETS & SEALS TO REBUILD & REINSTALL WATER PUMP & ATTACHING LINES.
OIL COOLER & LINES SET	CONTAINS THE GASKETS & SEALS TO REINSTALL THE OIL COOLER(S), OIL FILTER BASE & ATTACHING LINES.
TURBOCHARGER SET	CONTAINS THE GASKETS & SEALS TO REBUILD & REINSTALL THE TURBO & ATTACHING LINES. (If required.)
AIR INLET MANIFOLD SET	CONTAINS THE GASKETS & SEALS TO REINSTALL THE AIR INLET MANIFOLD. (Note: Inlet Manifold Seals are regularly included in a Turbocharger Set.)
AFTERCOOLER SET	CONTAINS THE GASKETS & SEALS TO REINSTALL THE AFTERCOOLER.

The images and content displayed on this booklet are protected by copyright and other applicable laws and are the property of Costex Tractor Parts. They are made available for viewing solely for demonstration and illustrative use purposes only and may not be copied, reproduced, downloaded, modified, displayed or distributed in any way without the prior written permission of Costex Tractor Parts.



KIT C

- Cylinder Liner Kit
- Cylinder Head Kit

KIT C (CYLINDER HEAD REPLACEMENT GASKET SET)

CYLINDER HEAD SET	CONTAINS THE GASKETS AND SEALS TO REINSTALL A SINGLE CYLINDER HEAD. KIT DOES NOT INCLUDE THE FUEL INJECTOR SEALS.
SINGLE CYLINDER LINER	CONTAINS LINER SEALS (# CYLINDERS).
FUEL INJECTOR	CONTAINS FUEL INJECTOR SEALS. (Note: Injector seals are regularly included in the Fuel System Kit.)
FUEL SYSTEM	NOT INCLUDED.
FRONT COVER	NOT INCLUDED.
CENTRAL & LOWER STRUCTURE	NOT INCLUDED.
REAR COVER	NOT INCLUDED.
AIR COMPRESSOR SET	NOT INCLUDED.
WATER PUMP SET	NOT INCLUDED.
OIL COOLER & LINES SET	NOT INCLUDED.
TURBOCHARGER SET	NOT INCLUDED.
AIR INLET MANIFOLD SET	NOT INCLUDED.
AFTERCOOLER SET	NOT INCLUDED.

The images and content displayed on this booklet are protected by copyright and other applicable laws and are the property of Costex Tractor Parts. They are made available for viewing solely for demonstration and illustrative use purposes only and may not be copied, reproduced, downloaded, modified, displayed or distributed in any way without the prior written permission of Costex Tractor Parts.

C-7

Part Number	Description	Machine Model / Application	Engine Arrangement	Engine Model	Engine Serial No.	Comments
CTPC7001A	Out of Frame OH Gasket Set	C7 ON - HIGHWAY ENGINE	258-9208	C-7	WAX20740	Turbocharged Single Head
CTPC7001B	Inframe OH Set					
CTPC7001C	Cylinder Head Repl. Gasket Set					
CTPC7002A	Out of Frame OH Gasket Set	235-9212 239-4566	C-7	WAX00001-WAX99999	Turbocharged Single Head	
CTPC7002B	Inframe OH Set					
CTPC7002C	Cylinder Head Repl. Gasket Set					
CTPC7003A	Out of Frame OH Gasket Set	235-9215	C-7	WAX00001-WAX99999	Turbocharged Single Head	
CTPC7003B	Inframe OH Set					
CTPC7003C	Cylinder Head Repl. Gasket Set					
CTPC7004A	Out of Frame OH Gasket Set	237-1552 246-9452	C-7	WAX00001-WAX99999	Turbocharged Single Head	
CTPC7004B	Inframe OH Set					
CTPC7004C	Cylinder Head Repl. Gasket Set					
CTPC7005A	Out of Frame OH Gasket Set	237-1569	C-7	WAX00001-WAX99999	Turbocharged Single Head	
CTPC7005B	Inframe OH Set					
CTPC7005C	Cylinder Head Repl. Gasket Set					
CTPC7006A	Out of Frame OH Gasket Set	237-1587	C-7	WAX00001-WAX99999	Turbocharged Single Head	
CTPC7006B	Inframe OH Set					
CTPC7006C	Cylinder Head Repl. Gasket Set					
CTPC7007A	Out of Frame OH Gasket Set	237-1748	C-7	WAX00001-WAX99999	Turbocharged Single Head	
CTPC7007B	Inframe OH Set					
CTPC7007C	Cylinder Head Repl. Gasket Set					

Part Number	Description	Machine Model / Application	Engine Arrangement	Engine Model	Engine Serial No.	Comments
CTPC7008A	Out of Frame OH Gasket Set	237-1755	C-7	WAX00001-WAX99999	Turbocharged Single Head	
CTPC7008B	Inframe OH Set					
CTPC7008C	Cylinder Head Repl. Gasket Set					
CTPC7009A	Out of Frame OH Gasket Set	237-1843	C-7	WAX00001-WAX99999	Turbocharged Single Head	
CTPC7009B	Inframe OH Set					
CTPC7009C	Cylinder Head Repl. Gasket Set					
CTPC7010A	Out of Frame OH Gasket Set	237-1844	C-7	WAX00001-WAX99999	Turbocharged Single Head	
CTPC7010B	Inframe OH Set					
CTPC7010C	Cylinder Head Repl. Gasket Set					
CTPC7011A	Out of Frame OH Gasket Set	238-7101	C-7	WAX00001-WAX99999	Turbocharged Single Head	
CTPC7011B	Inframe OH Set					
CTPC7011C	Cylinder Head Repl. Gasket Set					
CTPC7012A	Out of Frame OH Gasket Set	238-7102	C-7	WAX00001-WAX99999	Turbocharged Single Head	
CTPC7012B	Inframe OH Set					
CTPC7012C	Cylinder Head Repl. Gasket Set					
CTPC7013A	Out of Frame OH Gasket Set	238-7120	C-7	WAX00001-WAX99999	Turbocharged Single Head	
CTPC7013B	Inframe OH Set					
CTPC7013C	Cylinder Head Repl. Gasket Set					
CTPC7014A	Out of Frame OH Gasket Set	238-7268	C-7	WAX00001-WAX99999	Turbocharged Single Head	
CTPC7014B	Inframe OH Set					
CTPC7014C	Cylinder Head Repl. Gasket Set					

Part Number	Description	Machine Model / Application	Engine Arrangement	Engine Model	Engine Serial No.	Comments
CTPC7015A	Out of Frame OH Gasket Set		238-7285	C-7	WAX00001-WAX99999	Turbocharged Single Head
CTPC7015B	Inframe OH Set				SAP00001-SAP99999	
CTPC7015C	Cylinder Head Repl. Gasket Set				KAL00001-KAL99999	
CTPC7016A	Out of Frame OH Gasket Set		238-7305 239-4680	C-7	WAX00001-WAX99999	Turbocharged Single Head
CTPC7016B	Inframe OH Set				SAP00001-SAP99999	
CTPC7016C	Cylinder Head Repl. Gasket Set				KAL00001-KAL99999	
CTPC7017A	Out of Frame OH Gasket Set		239-4582	C-7	WAX00001-WAX99999	Turbocharged Single Head
CTPC7017B	Inframe OH Set				SAP00001-SAP99999	
CTPC7017C	Cylinder Head Repl. Gasket Set				KAL00001-KAL99999	
CTPC7018A	Out of Frame OH Gasket Set		239-4688	C-7	WAX00001-WAX99999	Turbocharged Single Head
CTPC7018B	Inframe OH Set				SAP00001-SAP99999	
CTPC7018C	Cylinder Head Repl. Gasket Set				KAL00001-KAL99999	
CTPC7019A	Out of Frame OH Gasket Set		239-4709	C-7	WAX00001-WAX99999	Turbocharged Single Head
CTPC7019B	Inframe OH Set				SAP00001-SAP99999	
CTPC7019C	Cylinder Head Repl. Gasket Set				KAL00001-KAL99999	
CTPC7020A	Out of Frame OH Gasket Set		239-4724	C-7	WAX00001-WAX99999	Turbocharged Single Head
CTPC7020B	Inframe OH Set				SAP00001-SAP99999	
CTPC7020C	Cylinder Head Repl. Gasket Set				KAL00001-KAL99999	
CTPC7021A	Out of Frame OH Gasket Set		239-4725	C-7	WAX00001-WAX99999	Turbocharged Single Head
CTPC7021B	Inframe OH Set				SAP00001-SAP99999	
CTPC7021C	Cylinder Head Repl. Gasket Set				KAL00001-KAL99999	

Part Number	Description	Machine Model / Application	Engine Arrangement	Engine Model	Engine Serial No.	Comments
CTPC7022A	Out of Frame OH Gasket Set		239-4736 248-4611 250-7304	C-7	WAX00001-WAX99999	Turbocharged Single Head
CTPC7022B	Inframe OH Set				SAP00001-SAP99999	
CTPC7022C	Cylinder Head Repl. Gasket Set				KAL00001-KAL99999	
CTPC7023A	Out of Frame OH Gasket Set		239-4754 245-6973 245-6990	C-7	WAX00001-WAX99999	Turbocharged Single Head
CTPC7023B	Inframe OH Set				SAP00001-SAP99999	
CTPC7023C	Cylinder Head Repl. Gasket Set				KAL00001-KAL99999	
CTPC7024A	Out of Frame OH Gasket Set		240-4277	C-7	WAX00001-WAX99999	Turbocharged Single Head
CTPC7024B	Inframe OH Set				SAP00001-SAP99999	
CTPC7024C	Cylinder Head Repl. Gasket Set				KAL00001-KAL99999	
CTPC7025A	Out of Frame OH Gasket Set		240-4305	C-7	WAX00001-WAX99999	Turbocharged Single Head
CTPC7025B	Inframe OH Set				SAP00001-SAP99999	
CTPC7025C	Cylinder Head Repl. Gasket Set				KAL00001-KAL99999	
CTPC7026A	Out of Frame OH Gasket Set		240-4309	C-7	WAX00001-WAX99999	Turbocharged Single Head
CTPC7026B	Inframe OH Set				SAP00001-SAP99999	
CTPC7026C	Cylinder Head Repl. Gasket Set				KAL00001-KAL99999	
CTPC7027A	Out of Frame OH Gasket Set		240-4314	C-7	WAX00001-WAX99999	Turbocharged Single Head
CTPC7027B	Inframe OH Set				SAP00001-SAP99999	
CTPC7027C	Cylinder Head Repl. Gasket Set				KAL00001-KAL99999	
CTPC7028A	Out of Frame OH Gasket Set		240-4446 241-1303 241-1306	C-7	WAX00001-WAX99999	Turbocharged Single Head
CTPC7028B	Inframe OH Set				SAP00001-SAP99999	
CTPC7028C	Cylinder Head Repl. Gasket Set				KAL00001-KAL99999	

Part Number	Description	Machine Model / Application	Engine Arrangement	Engine Model	Engine Serial No.	Comments
CTPC7029A	Out of Frame OH Gasket Set		240-4463		WAX00001-WAX99999	Turbocharged Single Head
CTPC7029B	Inframe OH Set		244-4716 250-7302	C-7	SAP00001-SAP99999	
CTPC7029C	Cylinder Head Repl. Gasket Set		250-7492		KAL00001-KAL99999	
CTPC7030A	Out of Frame OH Gasket Set		241-1278	C-7	WAX00001-WAX99999	Turbocharged Single Head
CTPC7030B	Inframe OH Set				SAP00001-SAP99999	
CTPC7030C	Cylinder Head Repl. Gasket Set				KAL00001-KAL99999	
CTPC7031A	Out of Frame OH Gasket Set		241-1287	C-7	WAX00001-WAX99999	Turbocharged Single Head
CTPC7031B	Inframe OH Set				SAP00001-SAP99999	
CTPC7031C	Cylinder Head Repl. Gasket Set				KAL00001-KAL99999	
CTPC7032A	Out of Frame OH Gasket Set		241-1294	C-7	WAX00001-WAX99999	Turbocharged Single Head
CTPC7032B	Inframe OH Set				SAP00001-SAP99999	
CTPC7032C	Cylinder Head Repl. Gasket Set				KAL00001-KAL99999	
CTPC7033A	Out of Frame OH Gasket Set		241-1311	C-7	WAX00001-WAX99999	Turbocharged Single Head
CTPC7033B	Inframe OH Set				SAP00001-SAP99999	
CTPC7033C	Cylinder Head Repl. Gasket Set				KAL00001-KAL99999	
CTPC7034A	Out of Frame OH Gasket Set		241-1344	C-7	WAX00001-WAX99999	Turbocharged Single Head
CTPC7034B	Inframe OH Set		242-7641 248-4612		SAP00001-SAP99999	
CTPC7034C	Cylinder Head Repl. Gasket Set		249-8462		KAL00001-KAL99999	
CTPC7035A	Out of Frame OH Gasket Set		241-1362	C-7	WAX00001-WAX99999	Turbocharged Single Head
CTPC7035B	Inframe OH Set				SAP00001-SAP99999	
CTPC7035C	Cylinder Head Repl. Gasket Set				KAL00001-KAL99999	
CTPC7036A	Out of Frame OH Gasket Set		241-1363	C-7	WAX00001-WAX99999	Turbocharged Single Head
CTPC7036B	Inframe OH Set				SAP00001-SAP99999	
CTPC7036C	Cylinder Head Repl. Gasket Set				KAL00001-KAL99999	

Part Number	Description	Machine Model / Application	Engine Arrangement	Engine Model	Engine Serial No.	Comments
CTPC7037A	Out of Frame OH Gasket Set		241-1366	C-7	WAX00001-WAX99999	Turbocharged Single Head
CTPC7037B	Inframe OH Set				SAP00001-SAP99999	
CTPC7037C	Cylinder Head Repl. Gasket Set				KAL00001-KAL99999	
CTPC7038A	Out of Frame OH Gasket Set		242-7655	C-7	WAX00001-WAX99999	Turbocharged Single Head
CTPC7038B	Inframe OH Set				SAP00001-SAP99999	
CTPC7038C	Cylinder Head Repl. Gasket Set				KAL00001-KAL99999	
CTPC7039A	Out of Frame OH Gasket Set		245-6960	C-7	WAX00001-WAX99999	Turbocharged Single Head
CTPC7039B	Inframe OH Set				SAP00001-SAP99999	
CTPC7039C	Cylinder Head Repl. Gasket Set				KAL00001-KAL99999	
CTPC7040A	Out of Frame OH Gasket Set		246-9475	C-7	WAX00001-WAX99999	Turbocharged Single Head
CTPC7040B	Inframe OH Set		246-9483 251-9075		SAP00001-SAP99999	
CTPC7040C	Cylinder Head Repl. Gasket Set		251-9076		KAL00001-KAL99999	
CTPC7041A	Out of Frame OH Gasket Set		245-9476	C-7	WAX00001-WAX99999	Turbocharged Single Head
					SAP00001-SAP99999	
					KAL00001-KAL99999	
CTPC7042A	Out of Frame OH Gasket Set		246-9707	C-7	WAX00001-WAX99999	Turbocharged Single Head
CTPC7042C	Multiple Cyl. Head Repl. Gasket Set				KAL00001-KAL99999	
CTPC7043A	Out of Frame OH Gasket Set		246-9726	C-7	WAX00001-WAX99999	Turbocharged Single Head
CTPC7043B	Inframe OH Set				SAP00001-SAP99999	
CTPC7043C	Cylinder Head Repl. Gasket Set				KAL00001-KAL99999	
CTPC7044A	Out of Frame OH Gasket Set		249-8272 251-9033	C-7	WAX00001-WAX99999	Turbocharged Single Head
CTPC7044B	Inframe OH Set				SAP00001-SAP99999	
CTPC7044C	Cylinder Head Repl. Gasket Set				KAL00001-KAL99999	

Part Number	Description	Machine Model / Application	Engine Arrangement	Engine Model	Engine Serial No.	Comments
CTPC7045A	Out of Frame OH Gasket Set		250-7305	C-7	WAX00001-WAX99999	Turbocharged Single Head
CTPC7045B	Inframe OH Set				SAP00001-SAP99999	
CTPC7045C	Cylinder Head Repl. Gasket Set				KAL00001-KAL99999	
CTPC7046A	Out of Frame OH Gasket Set		251-8954	C-7	WAX00001-WAX99999	Turbocharged Single Head
CTPC7046B	Inframe OH Set				SAP00001-SAP99999	
CTPC7046C	Cylinder Head Repl. Gasket Set				KAL00001-KAL99999	
CTPC7047A	Out of Frame OH Gasket Set		251-9077 271-1201	C-7	WAX00001-WAX99999	Turbocharged Single Head
CTPC7047B	Inframe OH Set				SAP00001-SAP99999	
CTPC7047C	Cylinder Head Repl. Gasket Set				KAL00001-KAL99999	
CTPC7048A	Out of Frame OH Gasket Set		253-5719 253-5721	C-7	WAX00001-WAX99999	Turbocharged Single Head
CTPC7048B	Inframe OH Set				SAP00001-SAP99999	
CTPC7048C	Cylinder Head Repl. Gasket Set				KAL00001-KAL99999	
CTPC7049A	Out of Frame OH Gasket Set		253-5720 253-5722	C-7	WAX00001-WAX99999	Turbocharged Single Head
CTPC7049B	Inframe OH Set				SAP00001-SAP99999	
CTPC7049C	Cylinder Head Repl. Gasket Set				KAL00001-KAL99999	
CTPC7050A	Out of Frame OH Gasket Set		254-9549	C-7	WAX00001-WAX99999	Turbocharged Single Head
CTPC7050B	Inframe OH Set				SAP00001-SAP99999	
CTPC7050C	Cylinder Head Repl. Gasket Set				KAL00001-KAL99999	
CTPC7051A	Out of Frame OH Gasket Set		264-5478	C-7	WAX00001-WAX99999	Turbocharged Single Head
CTPC7051B	Inframe OH Set				SAP00001-SAP99999	
CTPC7051C	Cylinder Head Repl. Gasket Set				KAL00001-KAL99999	
CTPC7052A	Out of Frame OH Gasket Set		264-5479	C-7	WAX00001-WAX99999	Turbocharged Single Head
CTPC7052B	Inframe OH Set				SAP00001-SAP99999	
CTPC7052C	Cylinder Head Repl. Gasket Set				KAL00001-KAL99999	

Part Number	Description	Machine Model / Application	Engine Arrangement	Engine Model	Engine Serial No.	Comments
CTPC7053A	Out of Frame OH Gasket Set		264-5480	C-7	WAX00001-WAX99999	Turbocharged Single Head
CTPC7053B	Inframe OH Set				SAP00001-SAP99999	
CTPC7053C	Cylinder Head Repl. Gasket Set				KAL00001-KAL99999	
CTPC7054A	Out of Frame OH Gasket Set		264-5551	C-7	WAX00001-WAX99999	Turbocharged Single Head
CTPC7054B	Inframe OH Set				SAP00001-SAP99999	
CTPC7054C	Cylinder Head Repl. Gasket Set				KAL00001-KAL99999	
CTPC7055A	Out of Frame OH Gasket Set		267-5960	C-7	WAX00001-WAX99999	Turbocharged Single Head
CTPC7055B	Inframe OH Set				SAP00001-SAP99999	
CTPC7055C	Cylinder Head Repl. Gasket Set				KAL00001-KAL99999	
CTPC7056A	Out of Frame OH Gasket Set		271-1202 271-1203	C-7	WAX00001-WAX99999	Turbocharged Single Head
CTPC7056B	Inframe OH Set				SAP00001-SAP99999	
CTPC7056C	Cylinder Head Repl. Gasket Set				KAL00001-KAL99999	
CTPC7057A	Out of Frame OH Gasket Set		281-9628	C-7	WAX00001-WAX99999	Turbocharged Single Head
CTPC7057B	Inframe OH Set				SAP00001-SAP99999	
CTPC7057C	Cylinder Head Repl. Gasket Set				KAL00001-KAL99999	
CTPC7058A	Out of Frame OH Gasket Set		281-9826	C-7	WAX00001-WAX99999	Turbocharged Single Head
CTPC7058B	Inframe OH Set				SAP00001-SAP99999	
CTPC7058C	Cylinder Head Repl. Gasket Set				KAL00001-KAL99999	
CTPC7059A	Out of Frame OH Gasket Set		284-0333	C-7	WAX00001-WAX99999	Turbocharged Single Head
CTPC7059B	Inframe OH Set				SAP00001-SAP99999	
CTPC7059C	Cylinder Head Repl. Gasket Set				KAL00001-KAL99999	
CTPC7060A	Out of Frame OH Gasket Set		284-0334 284-0396	C-7	WAX00001-WAX99999	Turbocharged Single Head
CTPC7060B	Inframe OH Set				SAP00001-SAP99999	
CTPC7060C	Cylinder Head Repl. Gasket Set				KAL00001-KAL99999	

Part Number	Description	Machine Model / Application	Engine Arrangement	Engine Model	Engine Serial No.	Comments
CTPC7061A	Out of Frame OH Gasket Set	C7 ON - HIGHWAY ENGINE	241-1478	C-7	KAL10761	Turbocharged Single Head
CTPC7061B	Inframe OH Set					
CTPC7061C	Cylinder Head Repl. Gasket Set					
CTPC7062A	Out of Frame OH Gasket Set	950H WHEEL LOADER	235-1424	C-7	C7C01-C7CUP KHX01-KHXUP	TURBOCHARGER
CTPC7062B	Inframe OH Set					
CTPC7062C	Cylinder Head Repl. Gasket Set					
CTPC7063A	Out of Frame OH Gasket Set	950H WHEEL LOADER	338-9076	C-7	KHX01-KHXUP	TURBOCHARGER
CTPC7063B	Inframe OH Set					
CTPC7063C	Cylinder Head Repl. Gasket Set					
CTPC7064A	Out of Frame OH Gasket Set	C7	362-4263	C-7	JTF00001 - JTF99999	TURBOCHARGER
CTPC7064B	Inframe OH Set					
CTPC7064C	Cylinder Head Repl. Gasket Set					
CTPC7065A	Out of Frame OH Gasket Set	C7 MARINE	311-5005	C-7	C7X01-UP	Turbocharged
CTPC7065B	Inframe OH Set					
CTPC7065C	Cylinder Head Repl. Gasket Set					
CTPC7066A	Out of Frame OH Gasket Set	324D L, 324D LN	290-0755	C-7	KHX00001- KHX99999	TURBOCHARGER
CTPC7066B	Inframe OH Set					
CTPC7066C	Cylinder Head Repl. Gasket Set					
CTPC7067A	Out of Frame OH Gasket Set	324D L, 324D LN	387-8488	C-7	KHX00001- KHX99999	TURBOCHARGER
CTPC7067B	Inframe OH Set					
CTPC7067C	Cylinder Head Repl. Gasket Set					
CTPC7068A	Out of Frame OH Gasket Set	324D L, 324D LN	423-3921 435-1298 435-1302	C-7	KHX00001- KHX99999	TURBOCHARGER
CTPC7068B	Inframe OH Set					
CTPC7068C	Cylinder Head Repl. Gasket Set					

Part Number	Description	Machine Model / Application	Engine Arrangement	Engine Model	Engine Serial No.	Comments
CTPC7069A	Out of Frame OH Gasket Set	324D L, 324D LN	263-2003	C-7	KHX00001- KHX99999	TURBOCHARGER
CTPC7069B	Inframe OH Set					
CTPC7069C	Cylinder Head Repl. Gasket Set					
CTPC7070A	Out of Frame OH Gasket Set	325D	423-3920	C-7	TX700001- TX799999 KHX00001- KHX99999	TURBOCHARGER
CTPC7070B	Inframe OH Set					
CTPC7070C	Cylinder Head Repl. Gasket Set					
CTPC7071A	Out of Frame OH Gasket Set	325D, 329D 434F, 444F M325D	423-3922 435-1295	C-7	TX700001- TX799999 KHX00001- KHX99999	TURBOCHARGER
CTPC7071B	Inframe OH Set					
CTPC7071C	Cylinder Head Repl. Gasket Set					
CTPC7072A	Out of Frame OH Gasket Set	324D 325D M325D	423-3923	C-7	TX700001- TX799999 KHX00001- KHX99999	TURBOCHARGER
CTPC7072B	Inframe OH Set					
CTPC7072C	Cylinder Head Repl. Gasket Set					

C-9

Part Number	Description	Machine Model / Application	Engine Arrangement	Engine Model	Engine Serial No.	Comments
CTPC9001A	Out of Frame OH Gasket Set	INDUSTRIAL	1968493, 2037056 2037057, 2037058 2082835, 2082840 2082841, 2653437	C-9	CLJ01-UP CLJ11104-UP	Turbocharged
CTPC9001B	Inframe OH Set					
CTPC9001C	Cylinder Head Repl. Gasket Set					
CTPC9002A	Out of Frame OH Gasket Set	INDUSTRIAL	2446781/ 2563690 2612204 / 3112590 2446782 / 2524434 2524430 / 2563694 2873653 / 3112591 24467813 / 2524435 2524432 / 2563696 2983758 / 2524436 2524433	C-9	JSC01-UP KLW01-UP MBD01-UP	Turbocharged
CTPC9002B	Inframe OH Set					
CTPC9002C	Cylinder Head Repl. Gasket Set					

Part Number	Description	Machine Model / Application	Engine Arrangement	Engine Model	Engine Serial No.	Comments
CTPC9003A	Out of Frame OH Gasket Set	330D 330D L	2704215 / 3013082 2720428 / 2648598 2648493 / 2396405 2704216 / 2292665 3163829 / 2358136 2666311 / 2535330 2401861 / 2984095 2753735 / 2364285 2720428 / 2535329 2666263 / 2228297 2621359 / 2249843 2797825 / 2702770 2702771 / 2900760 2292665	C-9	THX01-UP THY01-UP	Turbocharged
CTPC9003B	Inframe OH Set					
CTPC9003C	Cylinder Head Repl. Gasket Set					
CTPC9004A	Out of Frame OH Gasket Set	D6R SERIES III D6T TRACK-TYPE TRACTOR	2614290 / 2614295 2614530 / 2614535 2823824 / 2823826 2823828 / 3015769 2372707 / 2614296 2614291 / 2614536 2614531 / 3015768 2823825 / 2799549 2823829 / 2614297 2614294 / 2614537 2614534 / 2823827 2823823 / 2230551 2823830	C-9	THX-UP THY-UP	Turbocharged
CTPC9004B	Inframe OH Set					
CTPC9004C	Cylinder Head Repl. Gasket Set					
CTPC9005A	Out of Frame OH Gasket Set	D6R SERIES II TRACK TYPE TRACTOR	1660273 / 1769269 2545751 / 1660270 2545748 / 1688372 1693791 / 2545750 2545752 / 1693788 2545749 / 1688371 1765509 / 2545753 2555205	C-9	4ZF01-UP	Turbocharged
CTPC9005B	Inframe OH Set					
CTPC9005C	Cylinder Head Repl. Gasket Set					
CTPC9006A	Out of Frame OH Gasket Set	12H MOTOR GRADER	168-7967	C-9	4ZF00001- 4ZF99999	Turbocharged Single Head
CTPC9006B	Inframe OH Set					
CTPC9006C	Cylinder Head Repl. Gasket Set					
CTPC9007A	Out of Frame OH Gasket Set	12H MOTOR GRADER	285-6123	C-9	4ZF00001- 4ZF99999	Turbocharged Single Head
CTPC9007B	Inframe OH Set					
CTPC9007C	Cylinder Head Repl. Gasket Set					

Part Number	Description	Machine Model / Application	Engine Arrangement	Engine Model	Engine Serial No.	Comments
CTPC9008A	Out of Frame OH Gasket Set	330C	187-0470 235-4129 208-3027 211-5020	C-9	4ZF00001- 4ZF99999	Turbocharged Single Head
CTPC9008B	Inframe OH Set					
CTPC9008C	Cylinder Head Repl. Gasket Set					
CTPC9009C	Cylinder Head Repl. Gasket Set	330C	234-2817	C-9	4ZF00001- 4ZF99999	Turbocharged Single Head
CTPC9010A	Out of Frame OH Gasket Set	330C	234-2917	C-9	4ZF00001- 4ZF99999	Turbocharged Single Head
CTPC9010B	Inframe OH Set					
CTPC9010C	Cylinder Head Repl. Gasket Set					
CTPC9011A	Out of Frame OH Gasket Set	330C	237-0283	C-9	4ZF00001- 4ZF99999	Turbocharged Single Head
CTPC9011B	Inframe OH Set					
CTPC9011C	Cylinder Head Repl. Gasket Set					
CTPC9012A	Out of Frame OH Gasket Set	330C	242-0067 253-8366	C-9	4ZF00001- 4ZF99999	Turbocharged Single Head
CTPC9012B	Inframe OH Set					
CTPC9012C	Cylinder Head Repl. Gasket Set					
CTPC9013A	Out of Frame OH Gasket Set	470, 475	203-7058	C-9	4ZF00001- 4ZF99999	Turbocharged Single Head
CTPC9013C	Cylinder Head Repl. Gasket Set					
CTPC9014A	Out of Frame OH Gasket Set	627G	174-7519	C-9	4ZF00001- 4ZF99999	Turbocharged Single Head
CTPC9014B	Inframe OH Set					
CTPC9014C	Cylinder Head Repl. Gasket Set					
CTPC9015A	Out of Frame OH Gasket Set	637G	174-7522	C-9	4ZF00001- 4ZF99999	Turbocharged Single Head
CTPC9015B	Inframe OH Set					
CTPC9015C	Cylinder Head Repl. Gasket Set					
CTPC9017C	Cylinder Head Repl. Gasket Set	D6	166-0273	C-9	4ZF00001- 4ZF99999	Turbocharged Single Head

Part Number	Description	Machine Model / Application	Engine Arrangement	Engine Model	Engine Serial No.	Comments
CTPC9018A	Out of Frame OH Gasket Set	D6R	166-0273	C-9	4ZF00001-4ZF99999	Turbocharged Single Head
CTPC9018B	Inframe OH Set					
CTPC9018C	Cylinder Head Repl. Gasket Set					
CTPC9020A	Out of Frame OH Gasket Set	D6R	169-3791 290-1145	C-9	4ZF00001-4ZF99999	Turbocharged Single Head
CTPC9020B	Inframe OH Set					
CTPC9020C	Cylinder Head Repl. Gasket Set					
CTPC9021A	Out of Frame OH Gasket Set	D6R	176-5509 176-9269	C-9	4ZF00001-4ZF99999	Turbocharged Single Head
CTPC9021B	Inframe OH Set					
CTPC9021C	Cylinder Head Repl. Gasket Set					
CTPC9022A	Out of Frame OH Gasket Set	D6R	254-5750 254-5751 254-5752	C-9	4ZF00001-4ZF99999	Turbocharged Single Head
CTPC9022B	Inframe OH Set					
CTPC9022C	Cylinder Head Repl. Gasket Set					
CTPC9023A	Out of Frame OH Gasket Set	MT745 MT755	177-1414 177-1416 177-1418	C-9	4ZF00001-4ZF99999	Turbocharged Single Head
CTPC9023B	Inframe OH Set					
CTPC9023C	Cylinder Head Repl. Gasket Set					
CTPC9025A	Out of Frame OH Gasket Set	MT765	177-1418 179-4958	C-9	4ZF00001-4ZF99999	Turbocharged Single Head
CTPC9025B	Inframe OH Set					
CTPC9025C	Cylinder Head Repl. Gasket Set					
CTPC9026A	Out of Frame OH Gasket Set	330C	187-0470 208-3027 211-5020 235-4129	C-9	7AZ00001-7AZ99999	Turbocharged Single Head
CTPC9026B	Inframe OH Set					
CTPC9026C	Cylinder Head Repl. Gasket Set					
CTPC9029A	Out of Frame OH Gasket Set	330C	237-0283	C-9	7AZ00001-7AZ99999	Turbocharged Single Head
CTPC9029B	Inframe OH Set					
CTPC9029C	Cylinder Head Repl. Gasket Set					

Part Number	Description	Machine Model / Application	Engine Arrangement	Engine Model	Engine Serial No.	Comments
CTPC9030A	Out of Frame OH Gasket Set	D6R	254-5750 254-5752	C-9	7AZ00001-7AZ99999	Turbocharged Single Head
CTPC9030B	Inframe OH Set					
CTPC9030C	Cylinder Head Repl. Gasket Set					
CTPC9031A	Out of Frame OH Gasket Set	C9	203-7056 203-7057	C-9	CLJ00001-CLJ99999	Turbocharged Single Head
CTPC9031B	Inframe OH Set					
CTPC9031C	Cylinder Head Repl. Gasket Set					
CTPC9033A	Out of Frame OH Gasket Set	C9	208-2835 208-2840 214-3561 235-8166	C-9	CLJ00001-CLJ99999	Turbocharged Single Head
CTPC9033B	Inframe OH Set					
CTPC9033C	Cylinder Head Repl. Gasket Set					
CTPC9034A	Out of Frame OH Gasket Set	C9	208-2837 235-8165	C-9	CLJ00001-CLJ99999	Turbocharged Single Head
CTPC9034B	Inframe OH Set					
CTPC9034C	Cylinder Head Repl. Gasket Set					
CTPC9035A	Out of Frame OH Gasket Set	330C	242-0067	C-9	SAN00001-SAN99999	Turbocharged Single Head
CTPC9035B	Inframe OH Set					
CTPC9035C	Cylinder Head Repl. Gasket Set					
CTPC9036A	Out of Frame OH Gasket Set	330C	253-8366 253-8367	C-9	SAN00001-SAN99999	Turbocharged Single Head
CTPC9036B	Inframe OH Set					
CTPC9036C	Cylinder Head Repl. Gasket Set					
CTPC9038A	Out of Frame OH Gasket Set	D6R	169-3791 254-5753	C-9	SAN00001-SAN99999	Turbocharged Single Head
CTPC9038B	Inframe OH Set					
CTPC9038C	Cylinder Head Repl. Gasket Set					
CTPC9039C	Cylinder Head Repl. Gasket Set	D6R SERIES III TRACK-TYPE TRACTOR XL, XW D6R SERIES III TRACK-TYPE TRACTOR STD, XL D6R SERIES III TRACK-TYPE TRACTOR XL PAT, LGP	261-4290	C-9	THX00001-THX99999 THY00001-THY99999	Turbocharged Single Head

Part Number	Description	Machine Model / Application	Engine Arrangement	Engine Model	Engine Serial No.	Comments
CTPC9040C	Cylinder Head Repl. Gasket Set	D6R SERIES III TRACK-TYPE TRACTOR XL, XW	261-4291	C-9	THX00001-THX99999	Turbocharged Single Head
		D6R SERIES III TRACK-TYPE TRACTOR STD, XL	261-4294			
		D6R SERIES III TRACK-TYPE TRACTOR XL PAT, LGP	261-4295			
			261-4297			
			287-7574			
CTPC9041C	Cylinder Head Repl. Gasket Set	D6R TRACK-TYPE TRACTOR STD, XL, LGP	318-1904	C-9	THX00001-THX99999	Turbocharged Single Head
		D6R SERIES III TRACK-TYPE TRACTOR XLW, LGP	318-1905			
			355-7356			
			387-8577			
			387-8582			
CTPC9042C	Cylinder Head Repl. Gasket Set	330D & 330D L EXCAVATION	253-5330 301-3082	C-9	THX00001-THX99999	Turbocharged Single Head
CTPC9043A	Out of Frame OH Gasket Set	330D & 330D L EXCAVATION	270-2770 270-2771	C-9	THX00001-THX99999	Turbocharged Single Head
CTPC9043B	Inframe OH Set					
CTPC9043C	Cylinder Head Repl. Gasket Set					
CTPC9044A	Out of Frame OH Gasket Set	330D & 330D L EXCAVATION	290-0760	C-9	THX00001-THX99999	Turbocharged Single Head
CTPC9044B	Inframe OH Set					
CTPC9044C	Cylinder Head Repl. Gasket Set	330 L MOBILE HYDRAULIC				
CTPC9045C	Cylinder Head Repl. Gasket Set	330D MATERIAL HANDLER (HCR & FCR)	349-3571	C-9	THX00001-THX99999	Turbocharged Single Head
CTPC9046C	Cylinder Head Repl. Gasket Set	330D	391-1073	C-9	THX00001-THX99999	Turbocharged Single Head
CTPC9047A	Out of Frame OH Gasket Set	C9 TRUCK ENGINE	248-4695	C-9	9DG07691-9DG99999	Turbocharged Single Head
CTPC9047B	Inframe OH Set					
CTPC9047C	Cylinder Head Repl. Gasket Set					
CTPC9048A	Out of Frame OH Gasket Set	C9 TRUCK ENGINE	249-8276	C-9	9DG00419-9DG99999	Turbocharged Single Head
CTPC9048B	Inframe OH Set					
CTPC9048C	Cylinder Head Repl. Gasket Set					

Part Number	Description	Machine Model / Application	Engine Arrangement	Engine Model	Engine Serial No.	Comments
CTPC9049A	Out of Frame OH Gasket Set	C9 TRUCK ENGINE	249-8311 250-7399 261-5233	C-9	9DG00419-9DG99999	Turbocharged Single Head
CTPC9049B	Inframe OH Set					
CTPC9049C	Cylinder Head Repl. Gasket Set					
CTPC9050A	Out of Frame OH Gasket Set	C9 TRUCK ENGINE	249-8410	C-9	9DG00001-9DG99999	Turbocharged Single Head
CTPC9050B	Inframe OH Set					
CTPC9050C	Cylinder Head Repl. Gasket Set					
CTPC9051A	Out of Frame OH Gasket Set	C9 TRUCK ENGINE	263-0690 281-9719	C-9	9DG07691-9DG99999	Turbocharged Single Head
CTPC9051B	Inframe OH Set					
CTPC9051C	Cylinder Head Repl. Gasket Set					
CTPC9052A	Out of Frame OH Gasket Set	C9 TRUCK ENGINE	267-5876	C-9	9DG00001-9DG99999	Turbocharged Single Head
CTPC9052B	Inframe OH Set					
CTPC9052C	Cylinder Head Repl. Gasket Set					
CTPC9053A	Out of Frame OH Gasket Set	C9 TRUCK ENGINE	269-4395	C-9	9DG07691-9DG99999	Turbocharged Single Head
CTPC9053B	Inframe OH Set					
CTPC9053C	Cylinder Head Repl. Gasket Set					
CTPC9054A	Out of Frame OH Gasket Set	C9 TRUCK ENGINE	284-0128	C-9	9DG00001-9DG99999	Turbocharged Single Head
CTPC9054B	Inframe OH Set					
CTPC9054C	Cylinder Head Repl. Gasket Set					
CTPC9055A	Out of Frame OH Gasket Set	C9 TRUCK ENGINE	286-7789	C-9	9DG07691-9DG99999	Turbocharged Single Head
CTPC9055B	Inframe OH Set					
CTPC9055C	Cylinder Head Repl. Gasket Set					
CTPC9056A	Out of Frame OH Gasket Set	330D L EXCAVATOR	290-0760	C-9	THX00001-THX99999	Turbocharged Single Head
CTPC9056B	Inframe OH Set					
CTPC9056C	Cylinder Head Repl. Gasket Set	336D L EXCAVATOR				

Part Number	Description	Machine Model / Application	Engine Arrangement	Engine Model	Engine Serial No.	Comments
CTPC9057A	Out of Frame OH Gasket Set	D6R TRACK-TYPE TRACTOR	387-8581 387-8582	C-9	THX01-THXUP TXD01-TXDUP	Turbocharged
CTPC9057B	Inframe OH Set	D6R STD TRACK-TYPE TRACTOR				
CTPC9057C	Cylinder Head Repl. Gasket Set	D6R XL TRACK-TYPE TRACTOR				
CTPC9058A	Out of Frame OH Gasket Set	D6T LGP TRACK-TYPE TRACTOR	364-1558 395-0347	C-9	MME01-MMEUP MYE01-MYEUP	Turbocharged
CTPC9058B	Inframe OH Set	D6T XL TRACK-TYPE TRACTOR				
CTPC9058C	Cylinder Head Repl. Gasket Set	D6T XW TRACK-TYPE TRACTOR				
CTPC9059A	Out of Frame OH Gasket Set	966M	373-3754	C-9	SYE00001- SYE99999	Turbocharged
CTPC9059B	Inframe OH Set					
CTPC9059C	Cylinder Head Repl. Gasket Set					
CTPC9060A	Out of Frame OH Gasket Set	C9	387-1318 387-1322 / 398-3122	C-9	REH00001- REH99999	Turbocharged
CTPC9060B	Inframe OH Set					
CTPC9060C	Cylinder Head Repl. Gasket Set					

C-9.3

Part Number	Description	Machine Model / Application	Engine Arrangement	Engine Serial No.	Comments
CTPC9.3001A	Out of Frame OH Gasket Set	966K WHEEL LOADER 972K WHEEL LOADER	365-4046 365-4047	MME01-MMEUP MYE01-MYEUP	Turbocharged
CTPC9.3001B	Inframe OH Set				
CTPC9.3001C	Cylinder Head Repl. Gasket Set				
CTPC9.3002A	Out of Frame OH Gasket Set	D6T	516-1637	SYE00001-SYE99999	Turbocharged
CTPC9.3002B	Inframe OH Set				
CTPC9.3002C	Cylinder Head Repl. Gasket Set				

Part Number	Description	Machine Model / Application	Engine Arrangement	Engine Serial No.	Comments
CTPC9.3003A	Out of Frame OH Gasket Set	C9.3	381-6486	SYE00001-SYE99999	Turbocharged
CTPC9.3003B	Inframe OH Set				
CTPC9.3003C	Cylinder Head Repl. Gasket Set				
CTPC9.3004A	Out of Frame OH Gasket Set	D6T	398-6913 416-8790	SYE00001-SYE99999	Turbocharged
CTPC9.3004B	Inframe OH Set				
CTPC9.3004C	Cylinder Head Repl. Gasket Set				
CTPC9.3005A	Out of Frame OH Gasket Set	C9.3, D7E	398-6914	SYE00001-SYE99999	Turbocharged
CTPC9.3005B	Inframe OH Set				
CTPC9.3005C	Cylinder Head Repl. Gasket Set				
CTPC9.3006A	Out of Frame OH Gasket Set	C9.3	485-9800 516-4820	SYE00001-SYE99999	Turbocharged
CTPC9.3006B	Inframe OH Set				
CTPC9.3 006C	Cylinder Head Repl. Gasket Set				
CTPC9.3007A	Out of Frame OH Gasket Set	C9.3	486-4637 486-4643	SYE00001-SYE99999	Turbocharged
CTPC9.3007B	Inframe OH Set				
CTPC9.3007C	Cylinder Head Repl. Gasket Set				
CTPC9.3008A	Out of Frame OH Gasket Set	C9.3, D6T C9.3, D7E C9.3 D7E	516-1635 516-4775 516-9592 373-3840	SYE00001-SYE99999	Turbocharged
CTPC9.3008B	Inframe OH Set				
CTPC9.3008C	Cylinder Head Repl. Gasket Set				
CTPC9.3009A	Out of Frame OH Gasket Set	C9.3	516-9591	SYE00001-SYE99999	Turbocharged
CTPC9.3009B	Inframe OH Set				
CTPC9.3009C	Cylinder Head Repl. Gasket Set				
CTPC9.3010A	Out of Frame OH Gasket Set	C9.3	516-9594 516-9595 516-9596	SYE00001-SYE99999	Turbocharged
CTPC9.3010B	Inframe OH Set				
CTPC9.3010C	Cylinder Head Repl. Gasket Set				

Part Number	Description	Machine Model / Application	Engine Arrangement	Engine Serial No.	Comments
CTPC9.3011A	Out of Frame OH Gasket Set	12M, C9	382-4675, 382-4676	SYE00001-SYE99999	Turbocharged
CTPC9.3011B	Inframe OH Set	140M, C9	373-3811 381-6488		
CTPC9.3011C	Cylinder Head Repl. Gasket Set	160M, C9	373-3776		
CTPC9.3012A	Out of Frame OH Gasket Set	12M	486-4643	SYE00001-SYE99999	Turbocharged
CTPC9.3012B	Inframe OH Set				
CTPC9.3012C	Cylinder Head Repl. Gasket Set	160M	486-4637		
CTPC9.3013A	Out of Frame OH Gasket Set	12M	516-9591	SYE00001-SYE99999	Turbocharged
CTPC9.3013B	Inframe OH Set				
CTPC9.3013C	Cylinder Head Repl. Gasket Set				
CTPC9.3014A	Out of Frame OH Gasket Set	140M	516-9592	SYE00001-SYE99999	Turbocharged
CTPC9.3014B	Inframe OH Set				
CTPC9.3014C	Cylinder Head Repl. Gasket Set				
CTPC9.3015A	Out of Frame OH Gasket Set	160M	381-6486	SYE00001-SYE99999	Turbocharged
CTPC9.3015B	Inframe OH Set				
CTPC9.3015C	Cylinder Head Repl. Gasket Set				
CTPC9.3016A	Out of Frame OH Gasket Set	336F	373-3834	SYE00001-SYE99999	Turbocharged
CTPC9.3016B	Inframe OH Set	336F, 340F	485-9800	SYE00001-SYE99999	
CTPC9.3016C	Cylinder Head Repl. Gasket Set	336F, 340F	516-4820	SYE00001-SYE100000	
CTPC9.3017A	Out of Frame OH Gasket Set	725C	373-3847	SYE00001-SYE99999	Turbocharged
CTPC9.3017B	Inframe OH Set				
CTPC9.3017C	Cylinder Head Repl. Gasket Set				
CTPC9.3018A	Out of Frame OH Gasket Set	966M	373-3745	SYE00001-SYE99999	Turbocharged
CTPC9.3018B	Inframe OH Set				
CTPC9.3018C	Cylinder Head Repl. Gasket Set				

C-10

Part Number	Description	Machine Model / Application	Engine Arrangement	Engine Serial No.	Comments
CTPC10001A	Out of Frame OH Gasket Set	INDUSTRIAL CPT372 TRUCK PETROLEUM ENGINE	1915392/ 2460664 1915391/ 11978328 1927714 / 2460666	BCX01-UP 1WZ01-UP ZZB01-UP	Turbocharged
CTPC10001B	Inframe OH Set		2711617 / 2359707 1927715 / 2308874		
CTPC10001C	Cylinder Head Repl. Gasket Set				
CTPC10002A	Out of Frame OH Gasket Set	C-10 TRUCK ENGINE TURBOCHARGER	129-3597 129-3598 129-3607	2PN01094-2PN01095 2PN01095-2PN01660 2PN01095-2PN01660	Turbocharged Single Head
CTPC10002B	Inframe OH Set		129-3608 129-3609	2PN01095-2PN01100 2PN01095-2PN01100	
CTPC10002C	Cylinder Head Repl. Gasket Set		129-3614 129-3619 129-9721 132-4817 132-6068 132-6069 132-6070 133-1049 133-1051 133-1054 133-4087 133-4117 133-4119 133-4185 133-4189 133-7677 133-7702 133-7704 133-7728 133-7757 133-7797 133-7798 134-1673 134-4849 134-4866 134-4875 134-4877 134-4878 134-4886 134-4914 134-4937 134-4950 134-4951 134-4952	2PN00001-2PN03164 2PN01095-2PN01660 2PN00001-2PN99999 2PN01095-2PN01660 2PN01096-2PN02378 2PN01098-2PN07341 2PN01097-2PN07341 2PN01095-2PN02110 2PN01095-2PN07341 2PN01095-2PN01456 2PN01122-2PN01557 2PN01111-2PN07341 2PN01107-2PN07341 2PN01407-2PN01408 2PN00001-2PN04110 2PN01130-2PN07341 2PN01130-2PN02766 2PN01110-2PN07341 2PN00001-2PN02275 2PN01130-2PN01953 2PN01114-2PN01121 2PN01112-2PN01113 2PN01182-2PN07341 2PN01133-2PN01837 2PN01129-2PN07341 2PN01128-2PN01823 2PN01164-2PN01320 2PN00001-2PN01893 2PN01136-2PN02530 2PN01139-2PN01140 2PN00001-2PN07341 2PN01140-2PN03459 2PN01140-2PN03029 2PN01148-2PN01319	

Part Number	Description	Machine Model / Application	Engine Arrangement	Engine Serial No.	Comments
			134-4984	2PN01148-2PN07341	
			134-4985	2PN01148-2PN02795	
			134-4988	2PN01140-2PN01337	
			134-4995	2PN01182-2PN01443	
			134-4996	2PN01182-2PN07341	
			134-4999	2PN01182-2PN07341	
			135-0897	2PN01182-2PN07341	
			135-0898	2PN01131-2PN07341	
			135-0906	2PN01140-2PN07341	
			135-0924	2PN01133-2PN02888	
			135-0928	2PN01133-2PN02650	
			135-0930	2PN01140-2PN07341	
			135-0932	2PN01140-2PN03575	
			135-0936	2PN01140-2PN07341	
			135-0944	2PN01140-2PN02141	
			135-0953	2PN01133-2PN01316	
			135-0982	2PN01135-2PN02825	
			135-0983	2PN01135-2PN01322	
			135-0988	2PN01182-2PN07341	
			135-0990	2PN01182-2PN02320	
			135-0991	2PN01182-2PN03996	
			135-0992	2PN01446-2PN07341	
			135-0993	2PN01470-2PN07341	
			135-0994	2PN01470-2PN07341	
			135-0995	2PN01470-2PN07341	
			135-0997	2PN01470-2PN07341	
			135-0998	2PN01135-2PN01555	
			135-0999	2PN01135-2PN03457	
			135-1000	2PN01135-2PN02236	
			135-4760	2PN01141-2PN01163	
			135-4766	2PN01148-2PN01227	
			135-4768	2PN01148-2PN01242	
			135-4795	2PN01300-2PN02697	
			135-4796	2PN01300-2PN02697	
			135-4801	2PN01176-2PN07341	
			135-4816	2PN01135-2PN02111	
			135-4834	2PN01300-2PN07341	
			135-4837	2PN01235-2PN07341	
			135-4838	2PN01300-2PN03895	
			135-4839	2PN01300-2PN03471	
			135-4855	2PN01285-2PN01515	
			135-4858	2PN01267-2PN07341	
			135-4860	2PN01260-2PN06013	
			135-4861	2PN01300-2PN07341	
			135-4862	2PN01300-2PN07341	
			135-4863	2PN01300-2PN07341	
			135-4883	2PN01300-2PN02545	
			135-4884	2PN01300-2PN01802	
			135-4886	2PN01300-2PN07341	

Part Number	Description	Machine Model / Application	Engine Arrangement	Engine Serial No.	Comments
			136-0633	2PN01315-2PN01315	
			136-0634	2PN01300-2PN02891	
			136-0639	2PN01255-2PN01772	
			136-0644	2PN01300-2PN03115	
			136-0661	2PN01300-2PN03328	
			136-0662	2PN01300-2PN02884	
			136-0675	2PN01300-2PN03750	
			136-0680	2PN01300-2PN01488	
			136-0682	2PN01300-2PN04266	
			136-0688	2PN01300-2PN99999	
			136-0697	2PN01300-2PN01969	
			136-0718	2PN01300-2PN01552	
			136-0754	2PN01371-2PN01621	
			136-0755	2PN01372-2PN02896	
			136-0768	2PN01369-2PN02192	
			136-0770	2PN01369-2PN07341	
			136-0771	2PN01431-2PN07341	
			136-0772	2PN01443-2PN07341	
			136-0774	2PN00001-2PN01556	
			136-0778	2PN01369-2PN01492	
			136-0780	2PN01369-2PN01434	
			136-0781	2PN01369-2PN01622	
			136-9643	2PN01641-2PN02587	
			136-9649	2PN01380-2PN07341	
			136-9654	2PN01380-2PN03657	
			136-9655	2PN01443-2PN01472	
			136-9665	2PN01443-2PN03884	
			136-9666	2PN01380-2PN03858	
			136-9668	2PN01380-2PN01944	
			136-9669	2PN01380-2PN07341	
			137-1490	2PN01456-2PN02415	
			137-1514	2PN01456-2PN01654	
			137-1524	2PN01571-2PN07341	
			137-1527	2PN01581-2PN07341	
			137-1528	2PN01456-2PN02416	
			137-1534	2PN01456-2PN03280	
			137-1535	2PN01456-2PN03696	
			137-1536	2PN01456-2PN07341	
			137-1539	2PN01456-2PN01569	
			137-1540	2PN01572-2PN01588	
			137-1546	2PN01537-2PN07341	
			137-5327	2PN01589-2PN01704	
			137-5336	2PN01571-2PN01846	
			137-5337	2PN01630-2PN01702	
			137-5340	2PN01645-2PN07341	
			137-5341	2PN01657-2PN01657	
			137-5342	2PN01663-2PN07341	
			137-5343	2PN01487-2PN03304	

Part Number	Description	Machine Model / Application	Engine Arrangement	Engine Serial No.	Comments
			137-5355	2PN01571-2PN07341	
			137-5373	2PN01571-2PN01762	
			137-5384	2PN01670-2PN01675	
			137-5385	2PN01622-2PN01720	
			137-5409	2PN01675-2PN02377	
			137-5410	2PN01675-2PN03117	
			137-5411	2PN01675-2PN01858	
			137-5412	2PN01675-2PN02747	
			137-5417	2PN01675-2PN05659	
			137-5425	2PN01675-2PN05552	
			137-5426	2PN01675-2PN07341	
			137-5437	2PN01720-2PN07341	
			137-5438	2PN01720-2PN04026	
			137-5482	2PN01720-2PN02497	
			137-5498	2PN01720-2PN01892	
			138-5947	2PN01720-2PN01932	
			138-5949	2PN01720-2PN01919	
			138-5950	2PN01720-2PN07341	
			138-5951	2PN01720-2PN07341	
			138-5952	2PN01720-2PN02041	
			138-5960	2PN01720-2PN01948	
			138-5962	2PN01720-2PN07341	
			138-5966	2PN01720-2PN07341	
			138-5968	2PN01903-2PN02004	
			138-5969	2PN00001-2PN01954	
			138-5972	2PN01902-2PN07341	
			138-5981	2PN01766-2PN02391	
			138-5991	2PN01910-2PN01910	
			138-5992	2PN01956-2PN01956	
			138-5998	2PN01956-2PN07341	
			138-6002	2PN01956-2PN02371	
			138-6033	2PN01937-2PN01996	
			138-6041	2PN01937-2PN07341	
			138-6042	2PN01927-2PN01927	
			139-3438	2PN02028-2PN02449	
			139-3442	2PN02044-2PN02986	
			139-9674	2PN02062-2PN07341	
			139-9720	2PN02229-2PN07341	
			141-4252	2PN02557-2PN02764	
			145-1948	2PN03626-2PN07341	
			145-2192	2PN04327-2PN07341	
CTPC10003A	Out of Frame OH Gasket Set	C-10 TRUCK ENGINE TURBOCHARGER	133-4103	2PN01106-2PN01107	Turbocharged Single Head
CTPC10003B	Inframe OH Set				
CTPC10003C	Cylinder Head Repl. Gasket Set				

Part Number	Description	Machine Model / Application	Engine Arrangement	Engine Serial No.	Comments		
CTPC10004A	Out of Frame OH Gasket Set	C-10 TRUCK ENGINE TURBOCHARGER	138-6056	2PN01937-2PN03824	Turbocharged Single Head		
CTPC10004B	Inframe OH Set		139-3418	2PN02005-2PN07341			
			139-9919	2PN02523-2PN02546			
CTPC10004C	Cylinder Head Repl. Gasket Set	142-0585	2PN02706-2PN07341				
		142-0697	2PN02998-2PN07341				
		143-1198	2PN03414-2PN07341				
		143-9973	2PN03414-2PN07341				
		146-8752	2PN07341-2PN99999				
		149-9058	2PN05528-2PN07341				
		152-3216	2PN06259-2PN07341				
		152-9990	2PN06446-2PN07341				
		CTPC10005A	Out of Frame OH Gasket Set	C-10 TRUCK ENGINE TURBOCHARGER	138-6066	2PN01937-2PN99999	Turbocharged Single Head
		CTPC10005B	Inframe OH Set		139-3442	2PN02044-2PN02986	
142-0572	2PN02982-2PN99999						
CTPC10005C	Cylinder Head Repl. Gasket Set	144-0018	2PN03414-2PN99999				
		144-5882	2PN03626-2PN99999				
		145-2035	2PN04017-2PN99999				
		151-2241	2PN06070-2PN99999				
			153-5833	2PN06482-2PN99999			
CTPC10006A	Out of Frame OH Gasket Set	C-10 TRUCK ENGINE TURBOCHARGER	139-9700	2PN02062-2PN99999	Turbocharged Single Head		
CTPC10006B	Inframe OH Set		143-1112	2PN00001-2PN99999			
			144-0080	2PN00001-2PN99999			
CTPC10006C	Cylinder Head Repl. Gasket Set	144-5792	2PN00001-2PN99999				
		146-8658	2PN00001-2PN99999				
		147-6028	2PN00001-2PN99999				
		148-8726	2PN00001-2PN99999				
CTPC10007A	Out of Frame OH Gasket Set	C-10 TRUCK ENGINE TURBOCHARGER	139-9963	2PN02523-2PN07341	Turbocharged Single Head		
CTPC10007B	Inframe OH Set						
CTPC10007C	Cylinder Head Repl. Gasket Set						
CTPC10008A	Out of Frame OH Gasket Set	C-10 TRUCK ENGINE TURBOCHARGER	141-4239	2PN07341-2PN99999	Turbocharged Single Head		
CTPC10008B	Inframe OH Set						
CTPC10008C	Cylinder Head Repl. Gasket Set						
CTPC10009A	Out of Frame OH Gasket Set	C-10 TRUCK ENGINE TURBOCHARGER	141-4250	2PN02522-2PN07341	Turbocharged Single Head		
CTPC10009B	Inframe OH Set						
CTPC10009C	Cylinder Head Repl. Gasket Set						

Part Number	Description	Machine Model / Application	Engine Arrangement	Engine Serial No.	Comments
			169-9419	3CS01-3CSUP	
			169-9420		
			169-9484		
			169-9485		
			169-9488		
			170-7753		
			171-4936		
			171-4938		
			171-4967		
			171-4971		
			171-4981		
			171-5009		
			171-5014		
			171-5015		
			171-5018		
			171-5019		
			171-5027		
			171-5029		
			171-5050		
			171-5053		
			171-5054		
			171-5068		
			171-5081		
			171-5115		
			171-5129		
			171-5160		
			171-5163		
			171-8212		
			171-8260		
			171-8311		
			171-8332		
			171-8334		
			171-8433		
			171-8447		
			171-8503		
			171-8517		
			172-8947		
			172-8988		
			172-9124		
			173-6283		
			173-6467		
			174-2666		
			175-1908		
			175-1914		
			175-1936		
			175-9162		
			175-9375		
			175-9382		
			178-1338		

Part Number	Description	Machine Model / Application	Engine Arrangement	Engine Serial No.	Comments
			178-1386	3CS01-3CSUP	
			178-1490		
			178-1491		
			179-1027		
			179-1078		
			179-1080		
			186-1825		
CTPC10023A	Out of Frame OH Gasket Set	C-10 TRUCK ENGINE TURBOCHARGER	169-2344	3CS01-3CSUP	Turbocharged
CTPC10023B	Inframe OH Set		169-2363	3CS05801-3CS17020	
CTPC10023C	Cylinder Head Repl. Gasket Set		169-2373		
CTPC10024A	Out of Frame OH Gasket Set	C-10 TRUCK ENGINE TURBOCHARGER	169-2358	3CS05801-3CS17020	Turbocharged
CTPC10024B	Inframe OH Set				
CTPC10024C	Cylinder Head Repl. Gasket Set				
CTPC10025A	Out of Frame OH Gasket Set	C-10 TRUCK ENGINE TURBOCHARGER	169-9483	3CS01-3CSUP	Turbocharged
CTPC10025B	Inframe OH Set		171-5032		
CTPC10025C	Cylinder Head Repl. Gasket Set		171-5055		
CTPC10026A	Out of Frame OH Gasket Set	C-10 TRUCK ENGINE TURBOCHARGER	171-4961	3CS01-3CSUP	Turbocharged
CTPC10026B	Inframe OH Set				
CTPC10026C	Cylinder Head Repl. Gasket Set				
CTPC10027A	Out of Frame OH Gasket Set	C-10 TRUCK ENGINE TURBOCHARGER	171-4962	3CS01-3CSUP	Turbocharged
CTPC10027B	Inframe OH Set		171-4986		
CTPC10027C	Cylinder Head Repl. Gasket Set		174-2663 175-1883		
CTPC10028A	Out of Frame OH Gasket Set	C-10 TRUCK ENGINE TURBOCHARGER	171-5017	3CS01-UP	Turbocharged
CTPC10028B	Inframe OH Set				
CTPC10028C	Cylinder Head Repl. Gasket Set				
CTPC10029A	Out of Frame OH Gasket Set	C-10 TRUCK ENGINE TURBOCHARGER	171-5030	3CS01-UP	Turbocharged
CTPC10029B	Inframe OH Set				
CTPC10029C	Cylinder Head Repl. Gasket Set				

Part Number	Description	Machine Model / Application	Engine Arrangement	Engine Serial No.	Comments
CTPC10030A	Out of Frame OH Gasket Set	C-10 TRUCK ENGINE TURBOCHARGER	171-5051	3CS01-UP	Turbocharged
CTPC10030B	Inframe OH Set				
CTPC10030C	Cylinder Head Repl. Gasket Set				
CTPC10031A	Out of Frame OH Gasket Set	C-10 TRUCK ENGINE TURBOCHARGER	171-5130	3CS01-UP	Turbocharged
CTPC10031B	Inframe OH Set				
CTPC10031C	Cylinder Head Repl. Gasket Set				
CTPC10032A	Out of Frame OH Gasket Set	C-10 TRUCK ENGINE TURBOCHARGER	177-1203	3CS01-UP	Turbocharged
CTPC10032B	Inframe OH Set		177-1205		
			178-1547		
			179-0920		
			179-1073		
			179-1150		
			179-1173		
			179-3791		
			179-3939		
			179-4087		
			180-1756		
			180-1817		
			180-1863		
			185-5051		
			187-0304		
			187-7872		
			187-7945		
			187-7946		
			187-7969		
			188-6806		
			189-9513		
			189-9527		
			191-4073		
			191-4179		
			191-4181		
			191-4182		
			191-4267		
			191-4391		
			192-9377		
			192-9495		
			192-9537		
			192-9661		
			197-1150		
198-3550					

Part Number	Description	Machine Model / Application	Engine Arrangement	Engine Serial No.	Comments
			201-6365	3CS01-UP	Turbocharged
			202-9298		
			202-9569		
			206-8221		
CTPC10033A	Out of Frame OH Gasket Set	C-10 TRUCK ENGINE TURBOCHARGER	179-1009	3CS01-3CSUP	Turbocharged
CTPC10033B	Inframe OH Set		187-0212		
CTPC10033C	Cylinder Head Repl. Gasket Set				
CTPC10034A	Out of Frame OH Gasket Set	C-10 TRUCK ENGINE TURBOCHARGER	179-4088	3CS01-3CSUP	Turbocharged
CTPC10034B	Inframe OH Set		184-2878		
CTPC10034C	Cylinder Head Repl. Gasket Set		186-1960 187-0278 188-6967 192-9476		
CTPC10035A	Out of Frame OH Gasket Set	C-10 TRUCK ENGINE TURBOCHARGER	197-1149	3CS01-3CSUP	Turbocharged
CTPC10035B	Inframe OH Set		235-9460		
CTPC10035C	Cylinder Head Repl. Gasket Set				
CTPC10036A	Out of Frame OH Gasket Set	C-10 TRUCK ENGINE TURBOCHARGER	218-9531	3CS01-3CSUP	Turbocharged
CTPC10036B	Inframe OH Set				
CTPC10036C	Cylinder Head Repl. Gasket Set				
CTPC10037A	Out of Frame OH Gasket Set	C-10 TRUCK ENGINE TURBOCHARGER	219-9382	3CS01-3CSUP	Turbocharged
CTPC10037B	Inframe OH Set		219-9419		
CTPC10037C	Cylinder Head Repl. Gasket Set		219-9427		
CTPC10038A	Out of Frame OH Gasket Set	C-10 TRUCK ENGINE TURBOCHARGER	232-5782	3CS01-3CSUP	Turbocharged
CTPC10038B	Inframe OH Set		233-8875		
CTPC10038C	Cylinder Head Repl. Gasket Set		239-4529		
CTPC10039A	Out of Frame OH Gasket Set	C-10 TRUCK ENGINE TURBOCHARGER	234-8600	3CS01-3CSUP	Turbocharged
CTPC10039B	Inframe OH Set				
CTPC10039C	Cylinder Head Repl. Gasket Set				

Part Number	Description	Machine Model / Application	Engine Arrangement	Engine Serial No.	Comments
CTPC10040A	Out of Frame OH Gasket Set	C-10 TRUCK ENGINE TURBOCHARGER	277-2761	3CS01-3CSUP	Turbocharged
CTPC10040B	Inframe OH Set				
CTPC10040C	Cylinder Head Repl. Gasket Set				

C-11

Part Number	Description	Machine Model / Application	Engine Arrangement	Engine Serial No.	Comments
CTPC11001A	Out of Frame OH Gasket Set	INDUSTRIAL PETROLEUM ENGINE 966H, 725, 730, 14M, RM-300	2579491 / 2916601 3107920 / 2278353 2929282 / 2256468 2636681 / 2364580 2364572 / 2347848 2347850 / 2269770 2929283 / 3062736 2865803 / 2364572 2364577 / 2284410 2347845	GLS01-UP B5K01-UP RSX01-UP	Turbocharged
CTPC11001B	Inframe OH Set				
CTPC11001C	Cylinder Head Repl. Gasket Set				
CTPC11002A	Out of Frame OH Gasket Set	14M MOTOR GRADER	226-9770	RSX00001- RSX99999	Turbocharged Single Head
CTPC11002B	Inframe OH Set				
CTPC11002C	Cylinder Head Repl. Gasket Set				
CTPC11003A	Out of Frame OH Gasket Set	730 ARTICULATED & EJECTOR ARTICULATED TRUCK	227-8353	RSX00001- RSX99999	Turbocharged Single Head
CTPC11003B	Inframe OH Set				
CTPC11003C	Cylinder Head Repl. Gasket Set				
CTPC11004A	Out of Frame OH Gasket Set	966H WHEEL LOADER	234-7848	RSX01317- RSX99999	Turbocharged Single Head
CTPC11004B	Inframe OH Set				
CTPC11004C	Cylinder Head Repl. Gasket Set				
CTPC11005A	Out of Frame OH Gasket Set	966H WHEEL LOADER	234-7850	RSX01317- RSX99999	Turbocharged Single Head
CTPC11005B	Inframe OH Set				
CTPC11005C	Cylinder Head Repl. Gasket Set				

Part Number	Description	Machine Model / Application	Engine Arrangement	Engine Serial No.	Comments
CTPC11006A	Out of Frame OH Gasket Set	966H WHEEL LOADER	349-4468	RSX18010- RSX99999	Turbocharged Single Head
CTPC11006B	Inframe OH Set				
CTPC11006C	Cylinder Head Repl. Gasket Set				
CTPC11007A	Out of Frame OH Gasket Set	C-11 ON HIGHWAY TRUCK	246-9420	KCA00001- KCA99999	Turbocharged Single Head
CTPC11007B	Inframe OH Set				
CTPC11007C	Cylinder Head Repl. Gasket Set				
CTPC11008A	Out of Frame OH Gasket Set	C-11 ON HIGHWAY TRUCK	246-9426, 246-9763 246-9502, 248-4462, 246-9543, 248-4498, 246-9544, 248-4620, 246-9559, 248-4678, 246-9574, 248-4680, 248-4681, 250-7426, 249-8191, 250-7433, 249-8365, 250-7440, 250-7321, 250-7480, 250-7332, 250-7482, 250-7364, 251-8854, 251-8855, 253-5824, 254-9447, 254-9581, 256-8949, 256-9089 256-9265, 256-9266, 258-9134, 258-9136, 258-9137, 258-9138, 258-9257, 258-9258, 258-9287, 260-2682, 260-2684, 260-2702, 260-2752, 260-2777, 260-2788, 260-2825, 261-5316, 261-5347, 261-5465, 261-5489, 264-0736, 264-0826, 264-0871, 264-0872 264-0907, 264-0937, 264-0943, 264-5647, 266-1804, 267-5920 267-5937, 267-5939, 269-4337, 271-1128, 271-1257, 273-4482, 275-3132, 277-2907, 279-1646, 279-1863, 281-9745, 281-9945, 289-1646, 289-1653, 289-1955, 289-1983, 289-1984, 289-1986, 292-6147, 292-6206, 292-6207, 292-6241, 292-6246, 293-2490, 294-5983, 295-3577, 297-2051, 297-2152	KCA00001- KCA99999	Turbocharged
CTPC11008B	Inframe OH Set				
CTPC11008C	Cylinder Head Repl. Gasket Set				

Part Number	Description	Machine Model / Application	Engine Arrangement	Engine Serial No.	Comments
CTPC11009A	Out of Frame OH Gasket Set	C-11 ON HIGHWAY TRUCK	246-9672	KCA00001-KCA99999	Turbocharged Single Head
CTPC11009B	Inframe OH Set				
CTPC11009C	Cylinder Head Repl. Gasket Set				
CTPC11010A	Out of Frame OH Gasket Set	C-11 ON HIGHWAY TRUCK	249-8328	KCA00001-KCA99999	Turbocharged Single Head
CTPC11010B	Inframe OH Set				
CTPC11010C	Cylinder Head Repl. Gasket Set				
CTPC11011A	Out of Frame OH Gasket Set	C-11 ON HIGHWAY TRUCK	250-7235 250-7427	KCA00001-KCA99999	Turbocharged Single Head
CTPC11011B	Inframe OH Set				
CTPC11011C	Cylinder Head Repl. Gasket Set				
CTPC11012A	Out of Frame OH Gasket Set	C-11 ON HIGHWAY TRUCK	250-7307 264-0813 281-9661 297-2337	KCA00001-KCA99999	Turbocharged Single Head
CTPC11012B	Inframe OH Set				
CTPC11012C	Cylinder Head Repl. Gasket Set				
CTPC11013A	Out of Frame OH Gasket Set	C-11 ON HIGHWAY TRUCK	250-7366	KCA00001-KCA99999	Turbocharged Single Head
CTPC11013B	Inframe OH Set				
CTPC11013C	Cylinder Head Repl. Gasket Set				
CTPC11014A	Out of Frame OH Gasket Set	730	2929283	TXE01-UP	Turbocharged
CTPC11014B	Inframe OH Set				
CTPC11014C	Cylinder Head Repl. Gasket Set				

C-12

Part Number	Description	Machine Model / Application	Machine Model / Application	Engine Serial No.	Comments
CTPC12001A	Out of Frame OH Gasket Set	C-12 TRUCK	2281500 / 2348391 2301704 / 2359388 2325767 / 2338822 2338823	MBL1-UP	Turbocharged
CTPC12001B	Inframe OH Set				
CTPC12001C	Cylinder Head Repl. Gasket Set				
CTPC12002A	Out of Frame OH Gasket Set	TRUCK	1998694	2KS01-UP	Turbocharged
CTPC12002B	Inframe OH Set				
CTPC12002C	Cylinder Head Repl. Gasket Set				

Part Number	Description	Machine Model / Application	Machine Model / Application	Engine Serial No.	Comments
CTPC12003A	Out of Frame OH Gasket Set	972G	180-3195	5ED00001-5ED99999	
CTPC12003B	Inframe OH Set		223-1557		
CTPC12003C	Cylinder Head Repl. Gasket Set		223-1559		
CTPC12004A	Out of Frame OH Gasket Set	MTC84	172-6946	5ED00001-5ED99999	
CTPC12004B	Inframe OH Set			JAC00001-JAC99999	
CTPC12004C	Cylinder Head Repl. Gasket Set	MT835	172-6945		
CTPC12005A	Out of Frame OH Gasket Set	C-12	203-7099	BDL00001-BDL99999	
CTPC12005B	Inframe OH Set				
CTPC12005C	Cylinder Head Repl. Gasket Set				
CTPC12006A	Out of Frame OH Gasket Set	C-12	205-2511	BDL00001-BDL99999	
CTPC12006B	Inframe OH Set		206-8411		
CTPC12006C	Cylinder Head Repl. Gasket Set		208-7139		
CTPC12007A	Out of Frame OH Gasket Set	C-12	206-8412	BDL00001-BDL99999	
CTPC12007B	Inframe OH Set				
CTPC12007C	Cylinder Head Repl. Gasket Set				
CTPC12008A	Out of Frame OH Gasket Set	C-12	228-1354/ 229-4551, 229-4552/ 229-4599, 230-8409	BDL00001-BDL99999	
CTPC12008B	Inframe OH Set				
CTPC12008C	Cylinder Head Repl. Gasket Set				
CTPC12009A	Out of Frame OH Gasket Set	C-12	228-1438 / 230-2020, 228-1439 / 230-8601, 228-1500 / 230-8685, 229-4445 / 231-5468, 229-4447 / 231-5780, 229-4600/ 231-5781, 229-4686/ 232-5696, 230-1865/ 232-5765, 230-1936/ 233-8890, 233-8958	BDL00001-BDL99999	
CTPC12009B	Inframe OH Set				
CTPC12009C	Cylinder Head Repl. Gasket Set				

Part Number	Description	Machine Model / Application	Machine Model / Application	Engine Serial No.	Comments
CTPC12010A	Out of Frame OH Gasket Set	C-12	228-1502	BDL00001-BDL99999	
CTPC12010B	Inframe OH Set				
CTPC12010C	Cylinder Head Repl. Gasket Set				
CTPC12011A	Out of Frame OH Gasket Set	C-12	228-1503	BDL00001-BDL99999	
CTPC12011B	Inframe OH Set				
CTPC12011C	Cylinder Head Repl. Gasket Set				228-1505
CTPC12012A	Out of Frame OH Gasket Set	C-12	229-4428 / 231-5537	BDL00001-BDL99999	
CTPC12012B	Inframe OH Set		229-4429 / 231-5550		
			229-4434 / 231-5620		
CTPC12012C	Cylinder Head Repl. Gasket Set		229-4614 / 231-5626		
			229-4615 / 231-5732		
		230-1860 / 231-5791			
		230-1876 / 232-5544			
		230-1884 / 232-5545			
		232-5707 / 232-5708			
		233-8788 / 233-8855			
		234-8400 / 235-9400			
		235-9413 / 235-9414			
CTPC12013A	Out of Frame OH Gasket Set	C-12	229-4550 / 232-5667	BDL00001-BDL99999	
CTPC12013B	Inframe OH Set		229-4766 / 232-5717		
CTPC12013C	Cylinder Head Repl. Gasket Set		232-5426 / 233-8821		
CTPC12014A	Out of Frame OH Gasket Set	C-12	229-4801 / 232-5783	BDL00001-BDL99999	
CTPC12014B	Inframe OH Set		229-4802 / 229-1693		
CTPC12014C	Cylinder Head Repl. Gasket Set		230-1822 / 230-1850		
			230-1851		
CTPC12015A	Out of Frame OH Gasket Set	C-12	229-4803 / 231-5696	BDL00001-BDL99999	
CTPC12015B	Inframe OH Set		229-4804 / 232-5764		
CTPC12015C	Cylinder Head Repl. Gasket Set		229-4805		
CTPC12016A	Out of Frame OH Gasket Set	C-12	229-4807	BDL00001-BDL99999	
CTPC12016B	Inframe OH Set		229-4808		
CTPC12016C	Cylinder Head Repl. Gasket Set		232-5395		
CTPC12017A	Out of Frame OH Gasket Set	C-12	231-5769	BDL00001-BDL99999	
CTPC12017B	Inframe OH Set				
CTPC12017C	Cylinder Head Repl. Gasket Set				

Part Number	Description	Machine Model / Application	Machine Model / Application	Engine Serial No.	Comments
CTPC12018A	Out of Frame OH Gasket Set	C-12	235-8040	BDL00001-BDL99999	
CTPC12018B	Inframe OH Set				
CTPC12018C	Cylinder Head Repl. Gasket Set				235-8162
CTPC12019A	Out of Frame OH Gasket Set	C-12	239-4530	BDL00001-BDL99999	
CTPC12019B	Inframe OH Set				
CTPC12019C	Cylinder Head Repl. Gasket Set				
CTPC12020A	Out of Frame OH Gasket Set	C-12	135-4845	2KS00304-2KS00343	
CTPC12020B	Inframe OH Set		139-3490	2KS00001-2KS00321	
			139-9834		
CTPC12020C	Cylinder Head Repl. Gasket Set		141-4233	2KS00326-2KS00349	
			141-4236	2KS00001-2KS00327	
CTPC12021A	Out of Frame OH Gasket Set	C-12	164-8804 / 169-2286		
CTPC12021B	Inframe OH Set		166-9518 / 169-2293		
			166-9522 / 169-2294		
CTPC12021C	Cylinder Head Repl. Gasket Set		166-9686 / 169-2300		
			166-9766 / 169-2302		
			166-9767 / 169-2305		
			169-2279 / 169-2306		
			169-2283 / 169-2311		
			169-2312 / 169-2321		
			169-2333 / 169-2429		
			169-2431 / 169-2437		
			169-2438 / 169-2441		
			169-2443 / 169-2487		
			169-2489 / 169-5140		
			169-5168 / 169-5172		
			169-5189 / 169-5190		
			169-5193 / 169-5199		
			169-5201 / 169-5210		
			169-9205 / 169-9209		
			169-9211 / 169-9217		
			169-9228 / 169-9229		
		169-9238 / 169-9239			
		169-9295 / 169-9307			
		169-9415 / 169-9465			
		169-9472 / 170-7885			
		170-7915 / 170-7924			
		170-7943 / 170-7949			
		170-7950 / 171-4988			
		171-5006 / 171-5044			
		171-5069 / 171-5080			
		171-5134 / 171-5168			

Part Number	Description	Machine Model / Application	Machine Model / Application	Engine Serial No.	Comments
			171-8221/171-8384 171-8403/171-8435 171-8523/179-4038 179-4073/180-1848		
CTPC12022A	Out of Frame OH Gasket Set	C-12	166-9519/169-2289 166-9688/169-2292 169-2276/169-2296 169-2280/169-5191 169-2285/169-5192 169-2287/169-5197 169-5198/169-5200 169-5205/169-5206 169-5207/169-9213 169-9226/169-9296 169-9306/169-9309 169-9334/169-9412 169-9413/169-9414 169-9418/169-9470 169-9471/169-9474 170-7914/170-7941	2KS00001-2KS99999	
CTPC12022B	Inframe OH Set				
CTPC12022C	Cylinder Head Repl. Gasket Set				
CTPC12023A	Out of Frame OH Gasket Set	C-12	166-9521/169-5240 166-9538/169-9227 166-9764/169-9297 169-2444/169-9466	2KS00001-2KS99999	
CTPC12023B	Inframe OH Set				
CTPC12023C	Cylinder Head Repl. Gasket Set		169-2435	2KS00403-2KS99999	
CTPC12024A	Out of Frame OH Gasket Set				
CTPC12024B	Inframe OH Set	C-12	166-9519	2KS00001-2KS99999	
CTPC12024C	Cylinder Head Repl. Gasket Set				
CTPC12025A	Out of Frame OH Gasket Set				
CTPC12025B	Inframe OH Set	C-12	169-2281	2KS00001-2KS99999	
CTPC12025C	Cylinder Head Repl. Gasket Set				
CTPC12026A	Out of Frame OH Gasket Set				
CTPC12026B	Inframe OH Set	C-12	169-2284	2KS00001-2KS99999	
CTPC12026C	Cylinder Head Repl. Gasket Set				

Part Number	Description	Machine Model / Application	Machine Model / Application	Engine Serial No.	Comments
CTPC12027A	Out of Frame OH Gasket Set				
CTPC12027B	Inframe OH Set	C-12	169-2313	2KS00001-2KS99999	
CTPC12027C	Cylinder Head Repl. Gasket Set				
CTPC12028A	Out of Frame OH Gasket Set		169-2329	2KS00464-2KS99999	
CTPC12028B	Inframe OH Set	C-12	169-9390	2KS00001-2KS99999	
CTPC12028C	Cylinder Head Repl. Gasket Set				
CTPC12029A	Out of Frame OH Gasket Set		169-9212/170-7895		
CTPC12029B	Inframe OH Set	C-12	169-9391	2KS00001-2KS99999	
CTPC12029C	Cylinder Head Repl. Gasket Set		169-9469		
CTPC12030A	Out of Frame OH Gasket Set	C-12	169-9416/169-9479 169-9476/169-9481 169-9477/170-7911 172-8908/172-9076 172-9173/173-6320 173-6493/174-2641 175-1998/175-9151 175-9229/175-9240 175-9269/175-9341 177-1138/177-1331 178-1347/178-1516 179-1188/179-3953 180-2007/184-2763 184-2769/184-2777 184-2805/184-2814 185-4808/185-4930 185-5019/186-1833 186-1948/186-1949 187-0041/187-0174 189-9693/191-4104 191-4148/191-4186 191-4190/191-4200 191-4215/191-4222 191-4274/191-4284 191-4327/191-4343 191-4353/192-9297 192-9314/192-9640 195-4334/197-1273 198-3624/199-8642 199-8696/199-8717 202-9454/205-2555 205-2742/205-2887 212-1759/212-9074 212-9296/214-2940	2KS00001-2KS99999	
CTPC12030B	Inframe OH Set				
CTPC12030C	Cylinder Head Repl. Gasket Set				

Part Number	Description	Machine Model / Application	Machine Model / Application	Engine Serial No.	Comments
CTPC12031A	Out of Frame OH Gasket Set	C-12		2KS00001-2KS99999	
CTPC12031B	Inframe OH Set		169-9475		
CTPC12031C	Cylinder Head Repl. Gasket Set		169-9495		
CTPC12032A	Out of Frame OH Gasket Set	C-12	169-9478	2KS00001-2KS99999	
CTPC12032B	Inframe OH Set				
CTPC12032C	Cylinder Head Repl. Gasket Set				
CTPC12033A	Out of Frame OH Gasket Set	C-12	169-9480	2KS00001-2KS99999	
CTPC12033B	Inframe OH Set		172-8890		
CTPC12033C	Cylinder Head Repl. Gasket Set				
CTPC12034A	Out of Frame OH Gasket Set	C-12	169-9494	2KS00001-2KS99999	
CTPC12034B	Inframe OH Set				
CTPC12034C	Cylinder Head Repl. Gasket Set				
CTPC12035A	Out of Frame OH Gasket Set	C-12	169-9496	2KS00001-2KS99999	
CTPC12035B	Inframe OH Set				
CTPC12035C	Cylinder Head Repl. Gasket Set				
CTPC12036A	Out of Frame OH Gasket Set	C-12	170-7913	2KS00001-2KS99999	
CTPC12036B	Inframe OH Set				
CTPC12036C	Cylinder Head Repl. Gasket Set				
CTPC12037A	Out of Frame OH Gasket Set	C-12	170-7940	2KS00001-2KS99999	
CTPC12037B	Inframe OH Set				
CTPC12037C	Cylinder Head Repl. Gasket Set				
CTPC12038A	Out of Frame OH Gasket Set	C-12		2KS00001-2KS99999	
CTPC12038B	Inframe OH Set		172-8999		
CTPC12038C	Cylinder Head Repl. Gasket Set		187-0379		
CTPC12039A	Out of Frame OH Gasket Set	C-12	174-2780	2KS00001-2KS99999	
CTPC12039B	Inframe OH Set				
CTPC12039C	Cylinder Head Repl. Gasket Set				

Part Number	Description	Machine Model / Application	Machine Model / Application	Engine Serial No.	Comments				
CTPC12040A	Out of Frame OH Gasket Set	C-12	187-0300/192-9261 187-7947/198-3511 191-4259/198-3697 202-9356/202-9447 204-2416/205-2633 208-7096/212-9259 212-9286/214-2711 214-2765/214-2769 214-2800/214-2801 214-2818/214-2854 214-2873/214-2876 214-2904/215-5080 215-5113/215-5160 215-5161/215-5173 215-5186/215-5221 215-5222/215-5223 215-5226/215-5238 215-5362/215-5363 215-5364/215-5429 215-5455/215-5487 217-1034/217-1035 217-1036/217-1067 217-1069/217-1228 217-1229/217-1304 218-9432/218-9515 219-9353/220-7687 222-9465/222-9478 222-9481/222-9496 222-9565/222-9584 224-0395/224-0402 224-0403/224-0404 224-0420/224-0422 224-0424/224-0428 224-0432/224-0478 224-0480/224-0502 224-0504/224-0508 224-0530/224-0533 224-0542/224-0591 224-0657/224-7919 224-7968/224-7971 225-2049/225-2056 225-9897/225-9919	2KS00001-2KS99999					
CTPC12040B	Inframe OH Set								
CTPC12040C	Cylinder Head Repl. Gasket Set								
CTPC12041A	Out of Frame OH Gasket Set					C12	187-7951	2KS00001-2KS99999	
CTPC12041B	Inframe OH Set								
CTPC12041C	Cylinder Head Repl. Gasket Set								

Part Number	Description	Machine Model / Application	Machine Model / Application	Engine Serial No.	Comments
CTPC12042A	Out of Frame OH Gasket Set	C-12	198-3543/206-8329	2KS00001-2KS99999	
CTPC12042B	Inframe OH Set		198-3739/219-9432		
CTPC12042C	Cylinder Head Repl. Gasket Set		201-6381/219-9437 219-9439/220-7532 220-7533/220-7534 220-7554/220-7558 220-7562/220-7643 220-7683/220-7689 220-7712/220-7746 221-7431/221-7446 222-9589/224-7861		
CTPC12043A	Out of Frame OH Gasket Set	C-12	198-3701	2KS00001-2KS99999	
CTPC12043B	Inframe OH Set		218-9667		
CTPC12043C	Cylinder Head Repl. Gasket Set				
CTPC12044A	Out of Frame OH Gasket Set	C-12	201-6461	2KS00001-2KS99999	
CTPC12044B	Inframe OH Set		202-9374		
CTPC12044C	Cylinder Head Repl. Gasket Set				
CTPC12045A	Out of Frame OH Gasket Set	C-12	212-1813	2KS00001-2KS99999	
CTPC12045B	Inframe OH Set		212-1814		
CTPC12045C	Cylinder Head Repl. Gasket Set		218-9537		
CTPC12046A	Out of Frame OH Gasket Set	C-12	215-5225	2KS00001-2KS99999	
CTPC12046B	Inframe OH Set		215-5255		
CTPC12046C	Cylinder Head Repl. Gasket Set				
CTPC12047A	Out of Frame OH Gasket Set	C-12	215-5428	2KS00001-2KS99999	
CTPC12047B	Inframe OH Set		218-9497		
CTPC12047C	Cylinder Head Repl. Gasket Set				
CTPC12048A	Out of Frame OH Gasket Set	C-12	219-9435	2KS00001-2KS99999	
CTPC12048B	Inframe OH Set		221-7343		
CTPC12048C	Cylinder Head Repl. Gasket Set				
CTPC12049A	Out of Frame OH Gasket Set	C-12	221-7203/222-9600	2KS00001-2KS99999	
CTPC12049B	Inframe OH Set		221-7267/222-9609		
CTPC12049C	Cylinder Head Repl. Gasket Set		221-7289		

Part Number	Description	Machine Model / Application	Machine Model / Application	Engine Serial No.	Comments
CTPC12050A	Out of Frame OH Gasket Set	C-12	222-9599/233-8805	2KS00001-2KS99999	
CTPC12050B	Inframe OH Set		224-0269/233-9002		
CTPC12050C	Cylinder Head Repl. Gasket Set		224-0585		
CTPC12051A	Out of Frame OH Gasket Set	C-12	231-5488/233-8973	2KS00001-2KS99999	
CTPC12051B	Inframe OH Set		231-5687/234-8555		
CTPC12051C	Cylinder Head Repl. Gasket Set		231-5723/239-4642 264-0818/299-8588		
CTPC12052A	Out of Frame OH Gasket Set	C-12	144-5809	9NS00372-9NS99999	
CTPC12052B	Inframe OH Set				
CTPC12052C	Cylinder Head Repl. Gasket Set				

C-13

Part Number	Description	Machine Model / Application	Engine Arrangement	Engine Model	Engine Serial No.	Comments
CTPC13001A	Out of Frame OH Gasket Set	**	**	C-13	**	Turbocharged
CTPC13002B	Inframe OH Set					
CTPC13002C	Cylinder Head Repl. Gasket Set					
CTPC13002A	Out of Frame OH Gasket Set	16M MOTOR GRADER	227-5359 231-0876	C-13	MHX00001-MHX99999	Turbocharged Single Head
CTPC13002B	Inframe OH Set					
CTPC13002C	Cylinder Head Repl. Gasket Set					
CTPC13003A	Out of Frame OH Gasket Set	329D 345D L 349D L	291-9259	C-13	MHX00001-MHX99999	Turbocharged Single Head
CTPC13003B	Inframe OH Set					
CTPC13003C	Cylinder Head Repl. Gasket Set					
CTPC13004A	Out of Frame OH Gasket Set	345C W345C	241-8344 280-3645	C-13	MHX00001-MHX99999	Turbocharged Single Head
CTPC13004B	Inframe OH Set					
CTPC13004C	Cylinder Head Repl. Gasket Set					
CTPC13005A	Out of Frame OH Gasket Set	345D 349D	291-9259	C-13	TXF00001-TXF99999	Turbocharged Single Head
CTPC13005B	Inframe OH Set					
CTPC13005C	Cylinder Head Repl. Gasket Set					

Part Number	Description	Machine Model / Application	Engine Arrangement	Engine Serial No.	Comments
CTPC13006A	Out of Frame OH Gasket Set	C-13 ON-HIGHWAY		KCB00001- KCB999999	Turbocharged Single Head
CTPC13006B	Inframe OH Set				
CTPC13006C	Cylinder Head Repl. Gasket Set				
CTPC13007A	Out of Frame OH Gasket Set	C-13 ON-HIGHWAY	242-7742 281-9757	KCB00001- KCB999999	Turbocharged Single Head
CTPC13007B	Inframe OH Set				
CTPC13007C	Cylinder Head Repl. Gasket Set				
CTPC13008A	Out of Frame OH Gasket Set	C-13 ON-HIGHWAY	242-7920	KCB00001- KCB999999	Turbocharged Single Head
CTPC13008B	Inframe OH Set				
CTPC13008C	Cylinder Head Repl. Gasket Set				
CTPC13009A	Out of Frame OH Gasket Set	C-13 ON-HIGHWAY	244-4780 244-4803	KCB00001- KCB999999	Turbocharged Single Head
CTPC13009B	Inframe OH Set				
CTPC13009C	Cylinder Head Repl. Gasket Set				

Part Number	Description	Machine Model / Application	Engine Arrangement	Engine Serial No.	Comments
CTPC13010A	Out of Frame OH Gasket Set	C-13 ON-HIGHWAY	250-7471	KCB00001- KCB999999	Turbocharged Single Head
CTPC13010B	Inframe OH Set				
CTPC13010C	Cylinder Head Repl. Gasket Set				
CTPC13011A	Out of Frame OH Gasket Set	C-13 ON-HIGHWAY	258-9140	KCB00001- KCB999999	Turbocharged Single Head
CTPC13011B	Inframe OH Set				
CTPC13011C	Cylinder Head Repl. Gasket Set				
CTPC13012A	Out of Frame OH Gasket Set	C-13 ON-HIGHWAY	258-9296	KCB00001- KCB999999	Turbocharged Single Head
CTPC13012B	Inframe OH Set				
CTPC13012C	Cylinder Head Repl. Gasket Set				
CTPC13013A	Out of Frame OH Gasket Set	C-13 ON-HIGHWAY	258-9300 258-9313	KCB00001- KCB999999	Turbocharged Single Head
CTPC13013B	Inframe OH Set				
CTPC13013C	Cylinder Head Repl. Gasket Set				
CTPC13014A	Out of Frame OH Gasket Set	C-13 ON-HIGHWAY	258-9301 260-2725	KCB00001- KCB999999	Turbocharged Single Head
CTPC13014B	Inframe OH Set				
CTPC13014C	Cylinder Head Repl. Gasket Set				
CTPC13015A	Out of Frame OH Gasket Set	C-13 ON-HIGHWAY	260-2870	KCB00001- KCB999999	Turbocharged Single Head
CTPC13015B	Inframe OH Set				
CTPC13015C	Cylinder Head Repl. Gasket Set				
CTPC13016A	Out of Frame OH Gasket Set	C-13 ON-HIGHWAY	264-0804 264-0805 264-0806 264-0877 284-0179	KCB00001- KCB999999	Turbocharged Single Head
CTPC13016B	Inframe OH Set				
CTPC13016C	Cylinder Head Repl. Gasket Set				
CTPC13017A	Out of Frame OH Gasket Set	C-13 ON-HIGHWAY	267-5956 267-5966 267-6023 269-4289 271-1163	KCB00001- KCB999999	Turbocharged Single Head
CTPC13017B	Inframe OH Set				
CTPC13017C	Cylinder Head Repl. Gasket Set				

Part Number	Description	Machine Model / Application	Engine Arrangement	Engine Serial No.	Comments
CTPC13018A	Out of Frame OH Gasket Set	C-13 ON-HIGHWAY	269-4286	KCB00001-KCB99999	Turbocharged Single Head
CTPC13018B	Inframe OH Set				
CTPC13018C	Cylinder Head Repl. Gasket Set				
CTPC13019A	Out of Frame OH Gasket Set	C-13 ON-HIGHWAY	269-4338	KCB00001-KCB99999	Turbocharged Single Head
CTPC13019B	Inframe OH Set				
CTPC13019C	Cylinder Head Repl. Gasket Set				
CTPC13020A	Out of Frame OH Gasket Set	C-13 ON-HIGHWAY	269-4342 279-1696	KCB00001-KCB99999	Turbocharged Single Head
CTPC13020B	Inframe OH Set				
CTPC13020C	Cylinder Head Repl. Gasket Set				
CTPC13021A	Out of Frame OH Gasket Set	C-13 ON-HIGHWAY	277-2624	KCB00001-KCB99999	Turbocharged Single Head
CTPC13021B	Inframe OH Set				
CTPC13021C	Cylinder Head Repl. Gasket Set				
CTPC13022A	Out of Frame OH Gasket Set	C-13 ON-HIGHWAY	277-2865 277-2872	KCB00001-KCB99999	Turbocharged Single Head
CTPC13022B	Inframe OH Set				
CTPC13022C	Cylinder Head Repl. Gasket Set				
CTPC13023A	Out of Frame OH Gasket Set	C-13 ON-HIGHWAY	277-2868	KCB00001-KCB99999	Turbocharged Single Head
CTPC13023B	Inframe OH Set				
CTPC13023C	Cylinder Head Repl. Gasket Set				
CTPC13024A	Out of Frame OH Gasket Set	C-13 ON-HIGHWAY	279-1862	KCB00001-KCB99999	Turbocharged Single Head
CTPC13024B	Inframe OH Set				
CTPC13024C	Cylinder Head Repl. Gasket Set				
CTPC13025A	Out of Frame OH Gasket Set	C-13 ON-HIGHWAY	289-0863 289-1684	KCB00001-KCB99999	Turbocharged Single Head
CTPC13025B	Inframe OH Set				
CTPC13025C	Cylinder Head Repl. Gasket Set				

Part Number	Description	Machine Model / Application	Engine Arrangement	Engine Serial No.	Comments
CTPC13026A	Out of Frame OH Gasket Set	C-13 ON-HIGHWAY	289-1656 289-1681 289-1773 289-1929	KCB00001-KCB99999	Turbocharged Single Head
CTPC13026B	Inframe OH Set				
CTPC13026C	Cylinder Head Repl. Gasket Set				
CTPC13027A	Out of Frame OH Gasket Set	C-13 ON-HIGHWAY	289-1659	KCB00001-KCB99999	Turbocharged Single Head
CTPC13027B	Inframe OH Set				
CTPC13027C	Cylinder Head Repl. Gasket Set				
CTPC13028A	Out of Frame OH Gasket Set	C-13 ON-HIGHWAY	289-1703	KCB00001-KCB99999	Turbocharged Single Head
CTPC13028B	Inframe OH Set				
CTPC13028C	Cylinder Head Repl. Gasket Set				
CTPC13029A	Out of Frame OH Gasket Set	C-13 ON-HIGHWAY	289-1723	KCB00001-KCB99999	Turbocharged Single Head
CTPC13029B	Inframe OH Set				
CTPC13029C	Cylinder Head Repl. Gasket Set				
CTPC13030A	Out of Frame OH Gasket Set	C-13 ON-HIGHWAY	289-1863	KCB00001-KCB99999	Turbocharged Single Head
CTPC13030B	Inframe OH Set				
CTPC13030C	Cylinder Head Repl. Gasket Set				
CTPC13031A	Out of Frame OH Gasket Set	C-13 ON-HIGHWAY	289-1864	KCB00001-KCB99999	Turbocharged Single Head
CTPC13031B	Inframe OH Set				
CTPC13031C	Cylinder Head Repl. Gasket Set				
CTPC13032A	Out of Frame OH Gasket Set	C-13 ON-HIGHWAY	289-1949	KCB00001-KCB99999	Turbocharged Single Head
CTPC13032B	Inframe OH Set				
CTPC13032C	Cylinder Head Repl. Gasket Set				
CTPC13033A	Out of Frame OH Gasket Set	C-13 ON-HIGHWAY	289-1951 289-1957	KCB00001-KCB99999	Turbocharged Single Head
CTPC13033B	Inframe OH Set				
CTPC13033C	Cylinder Head Repl. Gasket Set				

Part Number	Description	Machine Model / Application	Engine Arrangement	Engine Serial No.	Comments
CTPC13034A	Out of Frame OH Gasket Set	C-13 ON-HIGHWAY	293-2611	KCB00001-KCB99999	Turbocharged Single Head
CTPC13034B	Inframe OH Set				
CTPC13034C	Cylinder Head Repl. Gasket Set				
CTPC13035A	Out of Frame OH Gasket Set	C-13 ON-HIGHWAY	295-3794 297-2034	KCB00001-KCB99999	Turbocharged Single Head
CTPC13035B	Inframe OH Set				
CTPC13035C	Cylinder Head Repl. Gasket Set				
CTPC13036A	Out of Frame OH Gasket Set	C-13 ON-HIGHWAY	297-2268	KCB00001-KCB99999	Turbocharged Single Head
CTPC13036B	Inframe OH Set				
CTPC13036C	Cylinder Head Repl. Gasket Set				
CTPC13037A	Out of Frame OH Gasket Set	C-13 ON-HIGHWAY	289-1965, 292-6300, 297-2194, 297-2303, 302-4997, 302-4988, 302-5001, 302-5016, 302-5044, 302-5050, 302-5051, 302-5052, 302-5053, 302-5054, 302-5077, 305-9620, 305-9632, 305-9637, 305-9639, 305-9640, 305-9680, 305-9682, 305-9685, 305-9701, 305-9704, 305-9706, 305-9724, 305-9725, 305-9766, 305-9767, 305-9769, 305-9790, 305-9791, 305-9792, 305-9812, 305-9813, 305-9825, 305-9826, 305-9830, 307-6957, 307-6965, 307-7031, 307-7034, 307-7078, 307-7105, 307-7107, 307-7144, 307-7159, 307-7166, 307-7169, 307-7173, 307-7182, 307-7205, 307-7211, 307-7219, 307-7220, 307-7234, 307-7273, 307-7291, 309-8044, 307-8045, 309-8053, 309-8059, 309-8061, 309-8062, 309-8063, 309-8065, 309-8121, 309-8122, 309-8134, 309-8163, 309-8186, 309-8215, 309-8235, 309-8249, 309-8260, 309-8261, 309-8272, 309-8273, 309-8290, 309-8327, 309-8328, 309-8341, 309-8362, 309-8363, 309-8365, 309-8375, 311-9660, 311-9666, 311-9672, 311-9690, 311-9692, 311-9695, 311-9710, 311-9719, 311-9723, 311-9725, 311-9726, 311-9730, 311-9731, 311-9732, 311-9734, 311-9735, 311-9736, 311-9738, 311-9742, 311-9744, 311-9781, 311-9782, 311-9783, 311-9790,	KCB00001-KCB99999	Turbocharged Single Head
CTPC13037B	Inframe OH Set				
CTPC13037C	Cylinder Head Repl. Gasket Set				

Part Number	Description	Machine Model / Application	Engine Arrangement	Engine Serial No.	Comments		
					311-9792, 311-9793, 311-9822, 311-9834, 311-9843, 311-9844, 311-9852, 311-9857, 311-9864, 311-9868, 311-9922, 311-9923, 311-9925, 311-9934, 311-9996, 311-9998, 314-4356, 314-4358, 314-4372, 314-4397, 314-4398, 314-4399, 314-4428, 314-4430, 314-4449, 314-4489, 314-4497, 314-4512, 314-4567, 314-4614, 314-4619, 314-4650, 314-4655, 314-4657, 314-4699, 314-4700, 317-0156, 317-0161, 317-0166, 317-0212, 317-0234, 317-0249, 317-0256, 317-0258, 317-0270, 317-0275, 317-0283, 317-0285, 317-0293, 317-0294, 317-0297, 317-0319, 317-0327, 317-0349, 317-0358, 317-0372, 317-0377, 317-0383, 317-0391, 317-0399, 317-0410, 317-0412, 317-0435, 317-0467, 317-0470, 319-4616, 319-4622, 319-4638, 319-4661, 319-4699, 319-4714, 319-4750, 319-4755, 319-4764, 319-4818, 319-4819, 319-4840, 322-4140, 322-4184, 322-4199, 322-4400, 322-4401, 322-4402, 322-4456, 323-4836, 323-4893, 323-4894, 323-4925, 323-4932, 323-4934, 323-4936, 323-4938, 323-4941, 324-8514, 324-8519, 324-8520, 324-8521, 324-8523, 324-8525, 324-8526, 324-8532, 324-8580, 324-8586, 324-8587, 324-8588, 324-8594, 324-8595, 324-8607, 324-8611, 324-8616, 324-8620, 324-8627, 324-8636, 324-8637, 324-8651, 325-2030, 325-2057, 325-2058, 325-2059, 325-2061, 325-2065, 325-2088, 325-2089, 325-2110, 325-2112, 325-2113, 325-2137, 325-2159, 325-2165, 325-2179, 325-2180, 325-2190, 325-2192, 325-2200, 325-2206, 325-2241, 325-2243, 325-2254, 325-2255, 325-2266, 325-2267,		

Part Number	Description	Machine Model / Application	Engine Arrangement	Engine Serial No.	Comments
CTPC13037A	Out of Frame OH Gasket Set	C-13 ON-HIGHWAY	325-2270, 325-2278, 325-2294, 325-2315, 325-2316, 325-2321, 325-2342, 325-2390, 325-2395, 327-1803, 327-1899, 327-1944, 327-1945, 327-1950, 327-1951, 327-1982, 327-1983, 327-1995, 327-1996, 327-2062, 328-7861, 328-7876, 328-7880, 328-7881, 328-7883, 328-7884, 328-7931, 328-7934, 328-7954, 328-7958, 328-7960, 328-7969, 328-7983, 328-8078, 328-8136, 328-8151, 328-8152, 328-8168, 330-6157, 330-6207, 330-6209, 330-6219, 330-6220, 330-6235, 330-6236, 330-6351, 330-6457, 330-6470, 330-6472, 330-6473, 330-6474, 330-6480, 330-6483, 330-6489, 332-8161, 332-8197, 332-8299, 332-8340, 332-8366, 332-8423, 332-8507, 332-8510, 332-8511, 332-8516, 339-9023, 341-1152, 343-7502, 343-7511, 343-7528, 343-7529	KCB00001-KCB99999	Turbocharged Single Head
CTPC13037B	Inframe OH Set				
CTPC13037C	Cylinder Head Repl. Gasket Set				
CTPC13038A	Out of Frame OH Gasket Set		295-3763, 299-8743, 302-5095, 302-5096, 302-5097, 305-9568, 305-9607, 305-9657, 305-9659, 305-9710, 307-7013, 307-7014, 307-7085, 307-7131, 307-7142, 307-7147, 307-7275, 307-7276, 307-7277, 307-7278, 309-8054, 309-8161, 309-8233, 309-8294, 309-8335, 309-8349, 311-9664, 311-9689, 311-9815, 311-9826, 314-4374, 314-4386, 314-4599, 314-4627, 314-4689, 319-4556, 319-4742, 322-4455, 323-4861, 323-4872, 323-4876, 307-4877, 323-5024, 323-5032, 323-5034, 323-5041, 323-5046, 323-5048, 324-8558, 324-8562, 324-8566, 325-2012, 325-2018, 325-2118, 325-2119, 325-2125, 325-2127, 325-2129, 325-2248, 327-1798, 327-1820, 327-1825, 327-1827, 327-1853, 327-1869, 327-1870, 327-1906, 327-1921, 327-1955, 327-1977, 327-1990, 327-2013, 327-2066, 328-7864, 328-7896, 328-8061, 328-8180, 330-6171, 330-6386, 332-8171, 332-8176, 332-8351, 332-8457, 332-8462, 332-8471, 338-3802, 339-9012, 341-1148	LEE00001-LEE99999	Turbocharged Single Head
CTPC13038B	Inframe OH Set				
CTPC13038C	Cylinder Head Repl. Gasket Set				

Part Number	Description	Machine Model / Application	Engine Arrangement	Engine Serial No.	Comments
CTPC13039A	Out of Frame OH Gasket Set	C-13 ON-HIGHWAY	295-3822	LEE00001-LEE99999	Turbocharged Single Head
CTPC13039B	Inframe OH Set				
CTPC13039C	Cylinder Head Repl. Gasket Set				
CTPC13040A	Out of Frame OH Gasket Set	C-13 ON-HIGHWAY	299-8744, 307-7072, 311-9824, 319-4646, 319-4791, 322-4190, 324-8449, 325-2022, 327-1911, 332-8503	LEE00001-LEE99999	Turbocharged Single Head
CTPC13040B	Inframe OH Set				
CTPC13040C	Cylinder Head Repl. Gasket Set				
CTPC13041A	Out of Frame OH Gasket Set	C-13 ON-HIGHWAY	302-5041 311-9733 323-5050 323-5087	LEE00001-LEE99999	Turbocharged Single Head
CTPC13041B	Inframe OH Set				
CTPC13041C	Cylinder Head Repl. Gasket Set				
CTPC13042A	Out of Frame OH Gasket Set	C-13 ON-HIGHWAY	302-5047 311-9788 319-4593 324-8605 328-8024 330-6217 330-6430	LEE00001-LEE99999	Turbocharged Single Head
CTPC13042B	Inframe OH Set				
CTPC13042C	Cylinder Head Repl. Gasket Set				
CTPC13043A	Out of Frame OH Gasket Set	C-13 ON-HIGHWAY	324-8407	LEE00001-LEE99999	Turbocharged Single Head
CTPC13043B	Inframe OH Set				
CTPC13043C	Cylinder Head Repl. Gasket Set				
CTPC13044A	Out of Frame OH Gasket Set	C-13 ON-HIGHWAY	325-2062	LEE00001-LEE99999	Turbocharged Single Head
CTPC13044B	Inframe OH Set				
CTPC13044C	Cylinder Head Repl. Gasket Set				
CTPC13045A	Out of Frame OH Gasket Set	C-13 INDUSTRIAL	368-4893 368-4894 368-4895 368-4898 388-2114 368-4896 368-4897 368-4900 392-5475 396-9755	LGK01-UP	Turbocharged Single Head
CTPC13045B	Inframe OH Set				
CTPC13045C	Cylinder Head Repl. Gasket Set				

Part Number	Description	Machine Model / Application	Engine Arrangement	Engine Serial No.	Comments
CTPC13046A	Out of Frame OH Gasket Set	349EL	365-3524	TXM00001-TXM99999	Turbocharged Single Head
CTPC13046B	Inframe OH Set				
CTPC13046C	Cylinder Head Repl. Gasket Set		417-2599	M4X00001-M4X99999	
CTPC13047A	Out of Frame OH Gasket Set	349EL	417-2599 / 422-5494 431-1464 / 442-9567	TXM00001-TXM99999	Turbocharged Single Head
CTPC13047B	Inframe OH Set				
CTPC13047C	Cylinder Head Repl. Gasket Set				
CTPC13048A	Out of Frame OH Gasket Set	349EL	422-5494	TXM00001-TXM99999	Turbocharged Single Head
CTPC13048B	Inframe OH Set				
CTPC13048C	Cylinder Head Repl. Gasket Set				
CTPC13049A	Out of Frame OH Gasket Set	627H	365-3518	M4X00001-M4X99999	Turbocharged Single Head
CTPC13049B	Inframe OH Set				
CTPC13049C	Cylinder Head Repl. Gasket Set				

C-15

Part Number	Description	Machine Model / Application	Engine Arrangement	Engine Serial No.	Comments
CTPC15001A	Out of Frame OH Gasket Set	INDUSTRIAL & C15-TH35	2543835 / 2543832 3004941 / 2761367	JRE01-UP	Turbocharged Spacer plated
CTPC15001B	Inframe OH Set				
CTPC15001C	Cylinder Head Repl. Gasket Set	PETROLEUM TRUCK	2410020 / 2543838 3049463 / 3004940	MHP01-UP	
CTPC15002A	Out of Frame OH Gasket Set	TRUCK ENGINE	1665353/ 1769816 1605339 / 1605342 1769332 / 1769334 1769344 / 1769388 1769395 / 1769400 1769419 / 1769424 1769428 / 1605340	6NZ01-90822	Turbocharged Spacer plated
CTPC15002B	Inframe OH Set				
CTPC15002C	Cylinder Head Repl. Gasket Set				

Part Number	Description	Machine Model / Application	Engine Arrangement	Engine Serial No.	Comments
CTPC15003A	Out of Frame OH Gasket Set	TRUCK ENGINE	1605340/ 1870359 1861961 / 1842914 1854876 / 1929320 1929348 / 1929482 1929384 / 1769816 1605342 / 1842932 1886722 / 1870315 1870292 / 1929350 1929349 / 1929673 1929483 / 1603076 1854953 / 1929413 1870318 / 1914373 1929354 / 1870356 1914377 / 1842828 1801750 / 1914167 1842794 / 1929481 1886716	6NZ1-37112 6NZ1340-37112 6NZ20517-37112 6NZ18282-37112 6NZ1-21695 6NZ1-17363 6NZ17363-37112 6NZ17363-27285	Turbocharged Spacer plated
CTPC15003B	Inframe OH Set				
CTPC15003C	Cylinder Head Repl. Gasket Set				
CTPC15004A	Out of Frame OH Gasket Set	TRUCK ENGINE	1769407 769823 1652517 1769825 1769389 1769835 1769396 1802232 1769401 1769422 1769427	6NZ1-UP 6NZ1340-90822 6NZ13016-90822 6NZ17363-90822 6NZ27892-90822 6NZ44995-90822 6NZ49772-90822 6NZ47911-90822 6NZ1-52184 6NZ52185-90822 6NZ59796-90822 6NZ80923-90822 6NZ76365-91260 6NZ1-94071 6NZ1-1339 6NZ4944-90822 6NZ8937-90822	Turbocharged Spacer plated
CTPC15004B	Inframe OH Set				
CTPC15004C	Cylinder Head Repl. Gasket Set				
CTPC15005A	Out of Frame OH Gasket Set	TRUCK ENGINE	2353459 / 2373771 2373777 / 2373781 2456931 / 2640886 2373767 / 2373773 2373778 / 2444608 2602744 / 2373775 2373770 / 2484483 2373779 / 2602810	6NZ292411-UP 6NZ294000-UP 6NZ294203-UP 6NZ291974-UP 6NZ297215-UP 9NZ1-UP	Turbocharged Spacer plated
CTPC15005B	Inframe OH Set				
CTPC15005C	Cylinder Head Repl. Gasket Set				
CTPC15006A	Out of Frame OH Gasket Set	365C	221-0890 / 257-4958 283-2437 / 286-9797	LHX00001-LHX99999	Turbocharged, Single Head
CTPC15006B	Inframe OH Set				
CTPC15006C	Cylinder Head Repl. Gasket Set				

Part Number	Description	Machine Model / Application	Engine Arrangement	Engine Serial No.	Comments
CTPC15007A	Out of Frame OH Gasket Set	583T	296-6027	LHX00001-LHX99999	Turbocharged, Single Head
CTPC15007B	Inframe OH Set				
CTPC15007C	Cylinder Head Repl. Gasket Set				
CTPC15008A	Out of Frame OH Gasket Set	621G	228-0839 / 311-7497	LHX00001-LHX99999	Turbocharged, Single Head
CTPC15008B	Inframe OH Set	627F			
CTPC15008C	Cylinder Head Repl. Gasket Set	657E			
CTPC15009A	Out of Frame OH Gasket Set	INDUSTRIAL	1889436/ 2011009 2349188 / 2349190 1971393 / 2134889 2349189 / 2904161 2345999	BEM1-2999 BEM682-UP BEM3000-UP	Turbocharged Spacer plated
CTPC15009B	Inframe OH Set				
CTPC15009C	Cylinder Head Repl. Gasket Set				
CTPC15010A	Out of Frame OH Gasket Set	TRUCK ENGINE		6NZ01-UP	Turbocharged Spacer plated
CTPC15010B	Inframe OH Set				
CTPC15010C	Cylinder Head Repl. Gasket Set				
CTPC15011A	Out of Frame OH Gasket Set	C-15 TRUCK ENGINE	180-2270	6NZ01-UP	Turbocharged
CTPC15011B	Inframe OH Set				
CTPC15011C	Cylinder Head Repl. Gasket Set				
CTPC15012A	Out of Frame OH Gasket Set	C-15 ON - HIGHWAY ENGINE	263-0493 261-5393 264-0785	NXS01-UP	Turbocharged
CTPC15012B	Inframe OH Set				
CTPC15012C	Cylinder Head Repl. Gasket Set				
CTPC15013A	Out of Frame OH Gasket Set	C-15 ON - HIGHWAY ENGINE	263-0467 263-0479	NXS01-UP	
CTPC15013B	Inframe OH Set				
CTPC15013C	Cylinder Head Repl. Gasket Set				
CTPC15014A	Out of Frame OH Gasket Set	735	228-4407	LHX00001-LHX99999	Turbocharged, Single Head
CTPC15014B	Inframe OH Set				
CTPC15014C	Cylinder Head Repl. Gasket Set				

Part Number	Description	Machine Model / Application	Engine Arrangement	Engine Serial No.	Comments
CTPC15015A	Out of Frame OH Gasket Set	735 Articulated Truck	292-9284	LHX00001-LHX99999	Turbocharged, Single Head
CTPC15015B	Inframe OH Set				
CTPC15015C	Cylinder Head Repl. Gasket Set				
CTPC15016A	Out of Frame OH Gasket Set	735	299-5072 316-0601	LHX00001-LHX99999	Turbocharged, Single Head
CTPC15016B	Inframe OH Set	740	292-9285 / 316-0602		
CTPC15016C	Cylinder Head Repl. Gasket Set		316-0602		
CTPC15017A	Out of Frame OH Gasket Set	740 Articulated Truck 740 Ejector Articulated Truck	227-3759	LHX00001-LHX99999	Turbocharged, Single Head
CTPC15017B	Inframe OH Set				
CTPC15017C	Cylinder Head Repl. Gasket Set				
CTPC15018A	Out of Frame OH Gasket Set	770	272-3084 272-3085 292-2549 / 330-9412	LHX00001-LHX99999	Turbocharged, Single Head
CTPC15018B	Inframe OH Set				
CTPC15018C	Cylinder Head Repl. Gasket Set		330-9412		
CTPC15019A	Out of Frame OH Gasket Set	824H, 825H 826H, 980H	225-8923 / 225-0995 235-4692 / 238-0973 280-9912	LHX00001-LHX99999	Turbocharged, Single Head
CTPC15019B	Inframe OH Set				
CTPC15019C	Cylinder Head Repl. Gasket Set	824H, 825H, 826H	225-8923 / 235-4692	TXG00001-TXG99999	
CTPC15020A	Out of Frame OH Gasket Set	980H WHEEL LOADER	303-1581	LHX00001-LHX99999	Turbocharged, Single Head
CTPC15020B	Inframe OH Set				
CTPC15020C	Cylinder Head Repl. Gasket Set				
CTPC15021A	Out of Frame OH Gasket Set	D8T TRACK-TYPE TRACTOR	189-2620 225-0097 237-9123	LHX00001-LHX99999	Turbocharged, Single Head
CTPC15021B	Inframe OH Set				
CTPC15021C	Cylinder Head Repl. Gasket Set				
CTPC15022A	Out of Frame OH Gasket Set	R2900	248-0846	LHX00001-LHX99999	Turbocharged, Single Head
CTPC15022B	Inframe OH Set				
CTPC15022C	Cylinder Head Repl. Gasket Set				

Part Number	Description	Machine Model / Application	Engine Arrangement	Engine Serial No.	Comments
CTPC15023A	Out of Frame OH Gasket Set	740B	417-2616	TXL00001-TXL99999	Turbocharged, Single Head
CTPC15023B	Inframe OH Set				
CTPC15023C	Cylinder Head Repl. Gasket Set				
CTPC15024A	Out of Frame OH Gasket Set	C-15	160-3076	6NZ00001-6NZ99999	Turbocharged, Single Head
CTPC15024B	Inframe OH Set		179-4012/ 191-4065		
CTPC15024C	Cylinder Head Repl. Gasket Set		180-2024/ 180-2139		
CTPC15025A	Out of Frame OH Gasket Set	C-15	220-7508	6NZ00001-6NZ99999	Turbocharged, Single Head
CTPC15025B	Inframe OH Set				
CTPC15025C	Cylinder Head Repl. Gasket Set				
CTPC15026A	Out of Frame OH Gasket Set	C-15	245-6906	6NZ00001-6NZ99999	Turbocharged, Single Head
CTPC15026B	Inframe OH Set				
CTPC15026C	Cylinder Head Repl. Gasket Set				
CTPC15027A	Out of Frame OH Gasket Set	C-15	311-9810 / 330-6158 330-6158/ 339-9090 245-6907/ 250-7255 256-9252/258-9306 271-1165/284-0342 286-7767/289-1737 289-1738/294-5864 297-2050/297-2221 299-8536/299-8595 299-8660/299-8661 302-4975/ 307-7030 307-7038/307-7048 311-9810/314-4378 314-4379/319-4598 319-4602/319-4678 322-4142/328-7849 330-6158/330-6294 330-6311/330-6312 332-8381/339-9090 343-7670	6NZ00001-6NZ99999 9NZ00001-9NZ99999	Turbocharged, Single Head
CTPC15027B	Inframe OH Set				
CTPC15027C	Cylinder Head Repl. Gasket Set				
CTPC15028A	Out of Frame OH Gasket Set	C-15	244-4600	9NZ00001-9NZ99999	Turbocharged, Single Head
CTPC15028B	Inframe OH Set				
CTPC15028C	Cylinder Head Repl. Gasket Set				

Part Number	Description	Machine Model / Application	Engine Arrangement	Engine Serial No.	Comments
CTPC15029A	Out of Frame OH Gasket Set	C-15	245-7089	9NZ00001-9NZ99999	Turbocharged, Single Head
CTPC15029B	Inframe OH Set				
CTPC15029C	Cylinder Head Repl. Gasket Set				
CTPC15030A	Out of Frame OH Gasket Set	C-15	254-9507	9NZ00001-9NZ99999	Turbocharged, Single Head
CTPC15030B	Inframe OH Set		261-5294		
CTPC15030C	Cylinder Head Repl. Gasket Set		275-3168		
CTPC15031A	Out of Frame OH Gasket Set	C-15	273-4676	9NZ00001-9NZ99999	Turbocharged, Single Head
CTPC15031B	Inframe OH Set				
CTPC15031C	Cylinder Head Repl. Gasket Set				
CTPC15032A	Out of Frame OH Gasket Set	C-15	284-0340	9NZ00001-9NZ99999	Turbocharged, Single Head
CTPC15032B	Inframe OH Set				
CTPC15032C	Cylinder Head Repl. Gasket Set				
CTPC15033A	Out of Frame OH Gasket Set	C-15	225-2122/228-1403 226-7012/228-1406 226-7029/228-1410 228-1093/228-1412 228-1102/228-1426 228-1269/228-1427 228-1312/228-1431 228-1317/228-1432 228-1399/228-1487 229-4416/229-4436 229-4437/229-4455 229-4456/229-4457 229-4458/229-4461 229-4464/229-4465 229-4534/229-4536 229-4541/229-4568 229-4569/229-4571 229-4572/229-4573 229-4582/229-4585 229-4587/229-4589 229-4590/229-4592 229-4593/229-4604 229-4605/229-4618 229-4625/229-4630 229-4631/229-4641 229-4642/229-4650 229-4652/229-4661	MBN00001-MBN99999	Turbocharged, Single Head
CTPC15033B	Inframe OH Set				
CTPC15033C	Cylinder Head Repl. Gasket Set				

Part Number	Description	Machine Model / Application	Engine Arrangement	Engine Serial No.	Comments
			229-4666/229-4672 229-4674/229-4689 229-4690/229-4691 229-4697/229-4699 229-4774/229-4775 229-4790/229-4791 230-1666/230-1681 230-1684/230-1691 230-1692/230-1709 230-1711/230-1712 230-1713/230-1788 230-1814/230-1833 230-1836/230-1841 230-1864/230-1891 230-1896/230-1902 230-1939/230-1941 230-1953/230-2029 230-8388/230-8390 230-8392/230-8431 230-8432/230-8499 230-8500/230-8517 230-8584/230-8585 230-8587/230-8672 230-8711/231-5464 231-5482/231-5522 231-5553/231-5579 231-5585/231-5618 231-5700/231-5706 231-5753/231-5768 231-5785/232-5407 232-5515/232-5636 232-5640/232-5644 232-5651/232-5683 232-5684/232-5689 232-5690/232-5789 232-5790/233-8842 233-8863/233-9000 233-9093/ 234-8478 234-8524/235-9102 235-9423/235-9434 235-9440		
CTPC15034A	Out of Frame OH Gasket Set	C-15	226-6796 229-4579 229-4580 231-5572 231-5707	MBN00001-MBN99999	Turbocharged, Single Head
CTPC15034B	Inframe OH Set				
CTPC15034C	Cylinder Head Repl. Gasket Set				

Part Number	Description	Machine Model / Application	Engine Arrangement	Engine Serial No.	Comments
CTPC15035A	Out of Frame OH Gasket Set	C-15	228-1268/230-8414 229-4692/231-5584 230-1930/231-5756 230-2059/231-5775	MBN00001-MBN99999	Turbocharged, Single Head
CTPC15035B	Inframe OH Set				
CTPC15035C	Cylinder Head Repl. Gasket Set				
CTPC15036A	Out of Frame OH Gasket Set	C-15	229-4470	MBN00001-MBN99999	Turbocharged, Single Head
CTPC15036B	Inframe OH Set				
CTPC15036C	Cylinder Head Repl. Gasket Set				
CTPC15037A	Out of Frame OH Gasket Set	C-15	229-4626/231-5766 229-4696/232-5743 229-4698/233-9042	MBN00001-MBN99999	Turbocharged, Single Head
CTPC15037B	Inframe OH Set				
CTPC15037C	Cylinder Head Repl. Gasket Set				
CTPC15038A	Out of Frame OH Gasket Set	C-15	230-1911	MBN00001-MBN99999	Turbocharged, Single Head
CTPC15038B	Inframe OH Set				
CTPC15038C	Cylinder Head Repl. Gasket Set				
CTPC15039A	Out of Frame OH Gasket Set	C-15	239-4508	MBN00001-MBN99999	Turbocharged, Single Head
CTPC15039B	Inframe OH Set				
CTPC15039C	Cylinder Head Repl. Gasket Set				
CTPC15040A	Out of Frame OH Gasket Set	C-15	231-5503	MBN00001-MBN99999	Turbocharged, Single Head
CTPC15040B	Inframe OH Set				
CTPC15040C	Cylinder Head Repl. Gasket Set				
CTPC15041A	Out of Frame OH Gasket Set	C-15	235-9429	MBN00001-MBN99999	Turbocharged, Single Head
CTPC15041B	Inframe OH Set				
CTPC15041C	Cylinder Head Repl. Gasket Set				
CTPC15042A	Out of Frame OH Gasket Set	C-15	231-5701/235-9163 233-8847/235-9446 233-9019/235-9455 235-9474	MBN00001-MBN99999	Turbocharged, Single Head
CTPC15042B	Inframe OH Set				
CTPC15042C	Cylinder Head Repl. Gasket Set				

Part Number	Description	Machine Model / Application	Engine Arrangement	Engine Serial No.	Comments
CTPC15043A	Out of Frame OH Gasket Set	C-15	235-9476	MBN00001-MBN99999	Turbocharged, Single Head
CTPC15043B	Inframe OH Set				
CTPC15043C	Cylinder Head Repl. Gasket Set				
CTPC15044A	Out of Frame OH Gasket Set	C-15	234-8421/242-7918 234-8422/248-4646 240-4206/248-4648 240-4261/248-4651 242-7507/242-7544 242-7545/242-7887 242-7888	BXS00001-BXS99999	Turbocharged, Single Head
CTPC15044B	Inframe OH Set				
CTPC15044C	Cylinder Head Repl. Gasket Set				
CTPC15045A	Out of Frame OH Gasket Set	C-15	234-8587/242-7793 234-8588/242-7794 235-9491/244-4549 237-1818/244-4551 238-7228/244-4569 239-4790/244-4573 240-4349/244-4598 240-4356/244-4609 240-4359/244-4812 240-4392/244-4813 242-7758/244-4815 242-7785/244-4831 242-7786/244-4834 242-7787/245-6894 242-7788/245-7012 242-7789/245-7018 242-7791/245-7036 245-7104/245-7113 245-7158/245-7160 245-7162/245-7163 245-7176/245-7271 245-7272/245-7285 246-9503/246-9529 246-9535/246-9599 246-9617/246-9632 246-9642/246-9668 246-9670/248-4389 248-4436/248-4449 248-4490/248-4497 248-4531/248-4545 249-8304/249-8383 249-8389/249-8390 249-8392/249-8397 249-8416/249-8417 249-8420/250-7210 250-7211/250-7217 250-7265/250-7348 250-7351/250-7354 250-7390/250-7463 250-7464/251-8874 251-8965/251-8966	BXS00001-BXS99999	Turbocharged, Single Head
CTPC15045B	Inframe OH Set				
CTPC15045C	Cylinder Head Repl. Gasket Set				

Part Number	Description	Machine Model / Application	Engine Arrangement	Engine Serial No.	Comments
			251-9012/251-9018 251-9082/251-9138 251-9162/251-9179 251-9190/253-5753 253-5754/253-5815 253-5827/253-5828 253-5831/253-5835 253-5909/253-5961 253-5997/254-9495 254-9547/254-9605 254-9712/254-9718 256-9013/256-9015 256-9018/256-9034 256-9035/258-9173 258-9175/258-9186 258-9192/258-9201 258-9228/258-9230 258-9233/258-9235 258-9237/258-9239 258-9240		
CTPC15046A	Out of Frame OH Gasket Set	C-15	235-9193/242-7882 237-1669/242-7886 237-1815/242-7916 238-7254/245-7011 238-7335/245-7284 238-7357/246-9408 239-4498/246-9667 240-4185/246-9764 240-4186/246-9793 240-4187/246-9793 240-4223/246-9794 240-4224/248-4478 241-1442/248-4543 241-1443/249-8184 242-7507/249-8386 242-7697/249-8387 242-7807/249-8394 249-8496/250-7239 250-7241/250-7244 250-7357/251-8936 253-5698/253-5911 253-5930/254-9556 254-9573/254-9574 254-9711/258-9113 258-9115/258-9164 258-9200	BXS00001-BXS99999	
CTPC15046B	Inframe OH Set				
CTPC15046C	Cylinder Head Repl. Gasket Set				

Part Number	Description	Machine Model / Application	Engine Arrangement	Engine Serial No.	Comments
CTPC15047A	Out of Frame OH Gasket Set	C-15	235-9194	BXS00001-BXS99999	
CTPC15047B	Inframe OH Set				
CTPC15047C	Cylinder Head Repl. Gasket Set				
CTPC15048A	Out of Frame OH Gasket Set	C-15	235-9427/245-6879 241-1376/245-6934 244-4652/246-9597 246-9638/246-9751 248-4415/248-4530 248-4541/248-4544 248-4625/248-4641 248-4642/248-4643 248-4653/248-4654 250-7218/250-7286 250-7353/250-7465 250-7473/253-5795 254-9554/256-9251 258-9174/258-9334 260-2677	BXS00001-BXS99999	
CTPC15048B	Inframe OH Set				
CTPC15048C	Cylinder Head Repl. Gasket Set				
CTPC15049A	Out of Frame OH Gasket Set	C-15	240-4248/245-7283 240-4249/245-7294 240-4260/245-7296 240-4384/245-7300 242-7880/246-9382 245-7256/246-9791 245-7270/249-8333 250-7283/251-9079 256-9030/258-9245 258-9246/258-9249 258-9274/258-9303 258-9308	BXS00001-BXS99999	
CTPC15049B	Inframe OH Set				
CTPC15049C	Cylinder Head Repl. Gasket Set				

C-18

Part Number	Description	Machine Model / Application	Engine Arrangement	Engine Model	Engine Serial No.	Comments
CTPC18001A	Out of Frame OH Gasket Set	D9T	205-8603	C-18	RJS01-UP RHX01-UP	Turbocharger
CTPC18001B	Inframe OH Set					
CTPC18001C	Cylinder Head Repl. Gasket Set					

Part Number	Description	Machine Model / Application	Engine Arrangement	Engine Model	Engine Serial No.	Comments
CTPC18002A	Out of Frame OH Gasket Set	988H WHEEL LOADER	281-6452	C-18	RHX01-RHXUP TXH01-TXHUP	Turbocharger
CTPC18002B	Inframe OH Set					
CTPC18002C	Cylinder Head Repl. Gasket Set					
CTPC18003A	Out of Frame OH Gasket Set	D9T TRACK-TYPE TRACTOR	342-4633	C-18	R4L01-R4LUP	Turbocharger
CTPC18003B	Inframe OH Set					
CTPC18003C	Cylinder Head Repl. Gasket Set					
CTPC18004A	Out of Frame OH Gasket Set	C-18 GENERATOR SET	241-2422	C-18	STH01-UP	Turbocharger
CTPC18004B	Inframe OH Set					
CTPC18004C	Cylinder Head Repl. Gasket Set					
CTPC18005A	Out of Frame OH Gasket Set	C-18 GENERATOR SET	269-1769	C-18	STH01-UP	Turbocharger
CTPC18005B	Inframe OH Set					
CTPC18005C	Cylinder Head Repl. Gasket Set					
CTPC18006A	Out of Frame OH Gasket Set	MARINE ENGINE	328-1564 328-1565, 328-1566 328-1567, 328-1568 328-1569 328-1569 328-1570 328-1571 328-1572 328-1579 328-1581 328-1589 328-1601 328-1600 328-1602	C-18	CYN00001-CYN99999	Turbocharger
CTPC18006B	Inframe OH Set					
CTPC18006C	Cylinder Head Repl. Gasket Set					
			319-8744 / 319-8746 319-8747 / 319-8748 319-8749 / 319-8750 319-8751 / 319-8752 319-8753 / 319-8754 319-8767 / 319-8768 319-8769 / 319-8770	C-18	C1J00001-C1J99999	Turbocharger
			342-6531 / 342-6532 342-6533 342-6534 342-6540 342-6541 342-6542 / 342-6544	C-18	GBM00001-GBM99999	Turbocharger

Part Number	Description	Machine Model / Application	Engine Arrangement	Engine Model	Engine Serial No.	Comments
CTPC18007A	Out of Frame OH Gasket Set	TRUCK	240-4200 / 240-4201	C-18	MDP00001-MDP99999	Turbocharger
CTPC18007B	Inframe OH Set		207-5431		MEP00001-MEP99999	
CTPC18007C	Cylinder Head Repl. Gasket Set					
CTPC18008A	Out of Frame OH Gasket Set	TRUCK	242-7889 / 242-7890	C-18	MDP00001-MDP99999	Turbocharger
CTPC18008B	Inframe OH Set					
CTPC18008C	Cylinder Head Repl. Gasket Set					
CTPC18009A	Out of Frame OH Gasket Set	INDUSTRIAL	254-3824	C-18	EJG00001-EJG99999	Turbocharger
CTPC18009B	Inframe OH Set					
CTPC18009C	Cylinder Head Repl. Gasket Set					
CTPC18010A	Out of Frame OH Gasket Set	INDUSTRIAL	367-8506	C-18	EJG00001-EJG99999	Turbocharger
CTPC18010B	Inframe OH Set					
CTPC18010C	Cylinder Head Repl. Gasket Set					
CTPC18011A	Out of Frame OH Gasket Set	INDUSTRIAL	325-3283	C-18	JDA00001-JDA99999	Turbocharger
CTPC18011B	Inframe OH Set					
CTPC18011C	Cylinder Head Repl. Gasket Set					

C-27

Part Number	Description	Machine Model / Application	Engine Arrangement	Engine Model	Engine Serial No.	Comments
CTPC27001A	Out of Frame OH Gasket Set	844H WHEEL TRACTOR	217-5670	C-27	EHX00001-EHX05530	
CTPC27001B	Inframe OH Set					
CTPC27001C	Cylinder Head Repl. Gasket Set		271-8633		EHX02921-EHX05550	
CTPC27001D	Single Cyl. Head Repl. Gasket Set					

Part Number	Description	Machine Model / Application	Engine Arrangement	Engine Model	Engine Serial No.	Comments
CTPC27002A	Out of Frame OH Gasket Set	D10T TRACK-TYPE TRACTOR	212-2744 271-2219	C-27	EHX00001-EHX99999	
CTPC27002B	Inframe OH Set					
CTPC27002C	Cylinder Head Repl. Gasket Set					
CTPC27002D	Single Cyl. Head Repl. Gasket Set					
CTPC27003A	Out of Frame OH Gasket Set	773F OFF-HIGHWAY TRUCK	227-5353 262-3741 280-2297	C-27	EHX00001-EHX99999	
CTPC27003B	Inframe OH Set					
CTPC27003C	Cylinder Head Repl. Gasket Set					
CTPC27003D	Single Cyl. Head Repl. Gasket Set					
CTPC27004A	Out of Frame OH Gasket Set	773F OFF-HIGHWAY TRUCK	360-3757	C-27	EHX00001-EHX99999	Turbocharger
CTPC27004B	Inframe OH Set					
CTPC27004C	Cylinder Head Repl. Gasket Set					
CTPC27004D	Single Cyl. Head Repl. Gasket Set					
CTPC27005A	Out of Frame OH Gasket Set	990H WHEEL LOADER	217-5670	C-27	EHX00001-EHX02560	
CTPC27005B	Inframe OH Set					
CTPC27005C	Cylinder Head Repl. Gasket Set		271-8633		EHX02561-EHX99999	
CTPC27005D	Single Cyl. Head Repl. Gasket Set					
CTPC27006A	Out of Frame OH Gasket Set	775F OFF-HIGHWAY TRUCK	227-5354	C-27	LJX00001-LJX99999	
CTPC27006B	Inframe OH Set					
CTPC27006C	Cylinder Head Repl. Gasket Set					
CTPC27006D	Single Cyl. Head Repl. Gasket Set					
CTPC27007A	Out of Frame OH Gasket Set	775F OFF-HIGHWAY TRUCK	262-3742	C-27	LJX00001-LJX99999	
CTPC27007B	Inframe OH Set					
CTPC27007C	Cylinder Head Repl. Gasket Set					
CTPC27007D	Single Cyl. Head Repl. Gasket Set					
CTPC27008C	Cylinder Head Repl. Gasket Set	C27 INDUSTRIAL	351-0216	C-27	TWM00001-TWM99999	
CTPC27008D	Single Cyl. Head Repl. Gasket Set					

3114

Part Number	Description	Machine Model / Application	Engine Arrangement	Engine Model	Engine Serial No.	Comments	
CTP3114001A	Out of Frame OH Gasket Set	924F WHEEL LOADER	114-4507	3114	97Z01450-97Z99999	Turbocharged Single Head	
CTP3114001B	Inframe OH Set				4RR0001-4RR01508		
CTP3114001C	Cylinder Head Repl. Gasket Set		143-4849		2ZF07483-2ZF99999		
CTP3114002A	Out of Frame OH Gasket Set	924F WHEEL LOADER	114-4507	3114	2FG04650-2FG06187	Turbocharged Single Head	
CTP3114002B	Inframe OH Set				97Z02000-97Z99999		
CTP3114002C	Cylinder Head Repl. Gasket Set				4RR01509-4RR99999		
CTP3114003A	Out of Frame OH Gasket Set	MACHINE	5EF00871-5EF99999	3114	9Y7452, 7E1298	Turbocharged Single Head	
CTP3114003B	Inframe OH Set						
CTP3114003C	Cylinder Head Repl. Gasket Set						INDUSTRIAL
CTP3114004A	Out of Frame OH Gasket Set	MACHINE	97Z01450-97Z99999	3114	7E1298, 1077563	Turbocharged Single Head	
CTP3114004B	Inframe OH Set						97Z1-3460
CTP3114004C	Cylinder Head Repl. Gasket Set						
CTP3114005A	Out of Frame OH Gasket Set	MACHINE	2FG00345-2FG99999	3114	7E3428, 7E3226	Turbocharged Single Head	
CTP3114005B	Inframe OH Set						
CTP3114005C	Cylinder Head Repl. Gasket Set						2FG00001-2FG99999
CTP3114006A	Out of Frame OH Gasket Set	INDUSTRIAL	1ZG00001-1ZG99999	3114	6I1210	Turbocharged Single Head	
CTP3114006B	Inframe OH Set						
CTP3114006C	Cylinder Head Repl. Gasket Set						MACHINE
CTP3114007A	Out of Frame OH Gasket Set	INDUSTRIAL	5EF00871-5EF99999	3114	6I1210, 9Y7452	Turbocharged Single Head	
CTP3114007B	Inframe OH Set						
CTP3114007C	Cylinder Head Repl. Gasket Set						MACHINE

3116

Part Number	Description	Machine Model / Application	Engine Arrangement	Engine Model	Engine Serial No.	Comments	
CTP3116001A	Out of Frame OH Gasket Set	325/325L/LN, 950F, M318 EXCAVATOR	1013146 / 1298072	3116	4TF12112	Turbocharged	
CTP3116001B	Inframe OH Set						1013148 / 1584173
CTP3116001C	Cylinder Head Repl. Gasket Set						1013149 / 1183599
CTP3116002A	Out of Frame OH Gasket Set	Marine	7C6629 / 4P9562 6I0306 / 6I4190 6I4188 / 4P9563 6I0306 / 6I4191 6I4189 / 1019408 6I0307 / 6I4192 1317879	3116	4KG1-9870 1SK1-2575	Turbocharged Water Aftercooled	
CTP3116002B	Inframe OH Set						
CTP3116002C	Cylinder Head Repl. Gasket Set						
CTP3116003A	Out of Frame OH Gasket Set	E240B, E240C, Excavators	9Y-9184	3116	1CK00001-1CK99999	Turbocharged Single Head	
CTP3116003B	Inframe OH Set						
CTP3116003C	Cylinder Head Repl. Gasket Set						
CTP3116004A	Out of Frame OH Gasket Set		101-1683	3116	1CK00001-1CK99999	Turbocharged Single Head	
CTP3116004B	Inframe OH Set						
CTP3116004C	Cylinder Head Repl. Gasket Set						
CTP3116005A	Out of Frame OH Gasket Set	325B L & 325B LN, Excavators	115-5937	3116	1CK00001-1CK99999	Turbocharged Single Head	
CTP3116005B	Inframe OH Set		115-5938		4TF29125-4TF99999		
CTP3116005C	Cylinder Head Repl. Gasket Set						
CTP3116006A	Out of Frame OH Gasket Set		129-8578	3116	1CK00001-1CK99999	Turbocharged Single Head	
CTP3116006B	Inframe OH Set						
CTP3116006C	Cylinder Head Repl. Gasket Set						
CTP3116007A	Out of Frame OH Gasket Set		131-3803	3116	1CK00001-1CK99999	Turbocharged Single Head	
CTP3116007B	Inframe OH Set						
CTP3116007C	Cylinder Head Repl. Gasket Set						
CTP3116008A	Out of Frame OH Gasket Set	325, 325L, Excavators	6I-2112	3116	1CK00001-1CK99999	Turbocharged Single Head	
CTP3116008B	Inframe OH Set						
CTP3116008C	Cylinder Head Repl. Gasket Set						

Part Number	Description	Machine Model / Application	Engine Arrangement	Engine Model	Engine Serial No.	Comments
CTP3116009A	Out of Frame OH Gasket Set		7C-9097	3116	1CK00001-1CK99999	Turbocharged Single Head
CTP3116009B	Inframe OH Set					
CTP3116009C	Cylinder Head Repl. Gasket Set					
CTP3116010A	Out of Frame OH Gasket Set	938F , IT38F, Wheel Loader, Integrated Toolcarrier	133-8829	3116	1CK00001-UP	Turbocharged Single Head
CTP3116010B	Inframe OH Set				4TF28600-UP	
CTP3116010C	Cylinder Head Repl. Gasket Set				98Z17000-UP	
CTP3116011A	Out of Frame OH Gasket Set		112-9039	3116	1CK13442-1CK99999	Turbocharged Single Head
CTP3116011B	Inframe OH Set					
CTP3116011C	Cylinder Head Repl. Gasket Set					
CTP3116012A	Out of Frame OH Gasket Set	950F SERIES II, Wheel Loader	4P-9992	3116	1CK00001-1CK99999	Turbocharged Single Head
CTP3116012B	Inframe OH Set					
CTP3116012C	Cylinder Head Repl. Gasket Set					
CTP3116013A	Out of Frame OH Gasket Set	D5M XL , D5M LGP, Tractor	114-4508	3116	1CK11131-1CK99999	Turbocharged Single Head
CTP3116013B	Inframe OH Set					
CTP3116013C	Cylinder Head Repl. Gasket Set					
CTP3116014A	Out of Frame OH Gasket Set	D6M Track-Type, Tractor Power Shift, Tractor XL	107-4935	3116	1CK11130-1CK99999	Turbocharged Single Head
CTP3116014B	Inframe OH Set				7JS00001-7JS99999	
CTP3116014C	Cylinder Head Repl. Gasket Set					
CTP3116015A	Out of Frame OH Gasket Set	E200B, EL200B, Excavators	7W-6852	3116	1CK00001-1CK99999	Turbocharged Single Head
CTP3116015B	Inframe OH Set				4TF00001-4TF99999	
CTP3116015C	Cylinder Head Repl. Gasket Set					
CTP3116016A	Out of Frame OH Gasket Set	3116, Industrial Engine	101-3130	3116	2WG03022-2WG99999	Turbocharged Single Head
CTP3116016B	Inframe OH Set					
CTP3116016C	Cylinder Head Repl. Gasket Set					

Part Number	Description	Machine Model / Application	Engine Arrangement	Engine Model	Engine Serial No.	Comments
CTP3116017A	Out of Frame OH Gasket Set	3116, Industrial Engine	101-3131	3116	2WG02918-2WG99999	Turbocharged Single Head
CTP3116017B	Inframe OH Set					
CTP3116017C	Cylinder Head Repl. Gasket Set					
CTP3116018A	Out of Frame OH Gasket Set	3116, Industrial Engine	101-3134	3116	2WG02939-2WG99999	Turbocharged Single Head
CTP3116018B	Inframe OH Set					
CTP3116018C	Cylinder Head Repl. Gasket Set					
CTP3116019A	Out of Frame OH Gasket Set	3116, Industrial Engine	107-2777	3116	2WG03126-2WG99999	Turbocharged Single Head
CTP3116019B	Inframe OH Set					
CTP3116019C	Cylinder Head Repl. Gasket Set					
CTP3116020A	Out of Frame OH Gasket Set	3116, Industrial Engine	113-5818	3116	2WG03930-2WG99999	Turbocharged Single Head
CTP3116020B	Inframe OH Set					
CTP3116020C	Cylinder Head Repl. Gasket Set					
CTP3116021A	Out of Frame OH Gasket Set	3116, Industrial Engine	116-2290	3116	2WG04157-2WG99999	Turbocharged Single Head
CTP3116021B	Inframe OH Set					
CTP3116021C	Cylinder Head Repl. Gasket Set					
CTP3116022A	Out of Frame OH Gasket Set	3116, Industrial Engine	120-4105	3116	2WG04446-2WG99999	Turbocharged Single Head
CTP3116022B	Inframe OH Set					
CTP3116022C	Cylinder Head Repl. Gasket Set					
CTP3116023A	Out of Frame OH Gasket Set	3116, Industrial Engine	4P-3507	3116	2WG01254-2WG02034	Turbocharged Single Head
CTP3116023B	Inframe OH Set		9Y-1629		2WG01040-2WG02550	
CTP3116023C	Cylinder Head Repl. Gasket Set					
CTP3116024A	Out of Frame OH Gasket Set	3116, Industrial Engine	4P-3707	3116	2WG01403-2WG05952	Turbocharged Single Head
CTP3116024B	Inframe OH Set					
CTP3116024C	Cylinder Head Repl. Gasket Set					

Part Number	Description	Machine Model / Application	Engine Arrangement	Engine Model	Engine Serial No.	Comments
CTP3116025A	Out of Frame OH Gasket Set	3116, Industrial Engine	4P-4711	3116	2WG01660-2WG99999	Turbocharged Single Head
CTP3116025B	Inframe OH Set					
CTP3116025C	Cylinder Head Repl. Gasket Set					
CTP3116026A	Out of Frame OH Gasket Set	3116, Industrial Engine	4P-4918	3116	2WG01361-2WG02475	Turbocharged Single Head
CTP3116026B	Inframe OH Set					
CTP3116026C	Cylinder Head Repl. Gasket Set					
CTP3116027A	Out of Frame OH Gasket Set	3116, Industrial Engine	6I-0867	3116	2WG02062-2WG29534	
CTP3116027B	Inframe OH Set					
CTP3116027C	Cylinder Head Repl. Gasket Set					
CTP3116028A	Out of Frame OH Gasket Set	3116, Industrial Engine	6I-2320	3116	2WG02571-2WG99999	Turbocharged Single Head
CTP3116028B	Inframe OH Set					
CTP3116028C	Cylinder Head Repl. Gasket Set					
CTP3116029A	Out of Frame OH Gasket Set	3116, Industrial Engine	6I-2321	3116	2WG00001-2WG99999	Turbocharged Single Head
CTP3116029B	Inframe OH Set					
CTP3116029C	Cylinder Head Repl. Gasket Set					
CTP3116030A	Out of Frame OH Gasket Set	3116, Industrial Engine	6I-2322	3116	2WG00001-2WG99999	Turbocharged Single Head
CTP3116030B	Inframe OH Set					
CTP3116030C	Cylinder Head Repl. Gasket Set					
CTP3116031A	Out of Frame OH Gasket Set	3116, Industrial Engine	6I-2323	3116	2WG02571-2WG99999	Turbocharged Single Head
CTP3116031B	Inframe OH Set					
CTP3116031C	Cylinder Head Repl. Gasket Set					
CTP3116032A	Out of Frame OH Gasket Set	3116, Industrial Engine	6I-2324	3116	2WG00001-2WG99999	
CTP3116032B	Inframe OH Set					
CTP3116032C	Cylinder Head Repl. Gasket Set					

Part Number	Description	Machine Model / Application	Engine Arrangement	Engine Model	Engine Serial No.	Comments
CTP3116033A	Out of Frame OH Gasket Set	3116, Industrial Engine	6I-2325	3116	2WG00001-2WG02825	Turbocharged Single Head
CTP3116033B	Inframe OH Set					
CTP3116033C	Cylinder Head Repl. Gasket Set					
CTP3116034A	Out of Frame OH Gasket Set	3116, Industrial Engine	6I-2326	3116	2WG02749-2WG99999	Turbocharged Single Head
CTP3116034B	Inframe OH Set					
CTP3116034C	Cylinder Head Repl. Gasket Set					
CTP3116035A	Out of Frame OH Gasket Set	3116, Industrial Engine	6I-2327	3116	2WG02627-2WG99999	Turbocharged Single Head
CTP3116035B	Inframe OH Set					
CTP3116035C	Cylinder Head Repl. Gasket Set					
CTP3116036A	Out of Frame OH Gasket Set	3116, Industrial Engine	6I-2328	3116	2WG02608-2WG99999	Turbocharged Single Head
CTP3116036B	Inframe OH Set					
CTP3116036C	Cylinder Head Repl. Gasket Set					
CTP3116037A	Out of Frame OH Gasket Set	AP-1000, Asphalt Pavel CS-563 & CP-563, Vibratory Compactors	7C-9226	3116	2WG00001-2WG99999	Turbocharged Single Head
CTP3116037B	Inframe OH Set					
CTP3116037C	Cylinder Head Repl. Gasket Set					
CTP3116038A	Out of Frame OH Gasket Set	3116, Industrial Engine	7E-7743	3116	2WG00837-2WG99999	Turbocharged Single Head
CTP3116038B	Inframe OH Set					
CTP3116038C	Cylinder Head Repl. Gasket Set					
CTP3116039A	Out of Frame OH Gasket Set	3116, Industrial Engine	9Y-0179	3116	2WG00001-2WG02571	Turbocharged Single Head
CTP3116039B	Inframe OH Set					
CTP3116039C	Cylinder Head Repl. Gasket Set					
CTP3116041A	Out of Frame OH Gasket Set	3116, Industrial Engine	9Y-2756	3116	2WG01302-2WG02541	Turbocharged Single Head
CTP3116041B	Inframe OH Set					
CTP3116041C	Cylinder Head Repl. Gasket Set					

Part Number	Description	Machine Model / Application	Engine Arrangement	Engine Model	Engine Serial No.	Comments
CTP3116042A	Out of Frame OH Gasket Set	3116, Industrial Engine	9Y-6728	3116	2WG00001-2WG02621	Turbocharged Single Head
CTP3116042B	Inframe OH Set					
CTP3116042C	Cylinder Head Repl. Gasket Set					
CTP3116043A	Out of Frame OH Gasket Set	3116, Industrial Engine	9Y-6729	3116	2WG01302-2WG02523	Turbocharged Single Head
CTP3116043B	Inframe OH Set					
CTP3116043C	Cylinder Head Repl. Gasket Set					
CTP3116044A	Out of Frame OH Gasket Set	214B & 214BFT, Excavator Wheel	7W-9478	3116	4TF00001-4TF99999	Turbocharged Single Head
CTP3116044B	Inframe OH Set					
CTP3116044C	Cylinder Head Repl. Gasket Set					
CTP3116045A	Out of Frame OH Gasket Set	213B, Excavator Track Type	9Y-5173	3116	4TF00748-4TF99999	Turbocharged Single Head
CTP3116045B	Inframe OH Set					
CTP3116045C	Cylinder Head Repl. Gasket Set					
CTP3116046A	Out of Frame OH Gasket Set	214B & 214BFT, 224B, Excavator Wheel	7C-1135	3116	4TF00001-4TF99999	Turbocharged Single Head
CTP3116046B	Inframe OH Set					
CTP3116046C	Cylinder Head Repl. Gasket Set					
CTP3116047A	Out of Frame OH Gasket Set	M318, M320, Excavator	118-3600	3116	4TF14681-4TF99999	Turbocharged Single Head
CTP3116047B	Inframe OH Set					
CTP3116047C	Cylinder Head Repl. Gasket Set					
CTP3116048A	Out of Frame OH Gasket Set	320B, 320B L, 320B LN, 320B N & 320B S, Excavator	120-7719	3116	4TF00001-4TF99999	Turbocharged Single Head
CTP3116048B	Inframe OH Set					
CTP3116048C	Cylinder Head Repl. Gasket Set					
CTP3116049A	Out of Frame OH Gasket Set	320, 320L, 320N, 320S, Excavator	6I-2111	3116	4TF04123-4TF99999	Turbocharged Single Head
CTP3116049B	Inframe OH Set					
CTP3116049C	Cylinder Head Repl. Gasket Set					

Part Number	Description	Machine Model / Application	Engine Arrangement	Engine Model	Engine Serial No.	Comments
CTP3116050A	Out of Frame OH Gasket Set		7E-9899	3116	4TF00001-4TF99999	Turbocharged Single Head
CTP3116050B	Inframe OH Set					
CTP3116050C	Cylinder Head Repl. Gasket Set					
CTP3116051A	Out of Frame OH Gasket Set		101-1683	3116	4TF00001-4TF99999	
CTP3116051C	Cylinder Head Repl. Gasket Set					
CTP3116052A	Out of Frame OH Gasket Set	322 L, 322 LN, 322 N, Excavator	113-1724	3116	4TF11600-4TF99999	Turbocharged Single Head
CTP3116052B	Inframe OH Set					
CTP3116052C	Cylinder Head Repl. Gasket Set					
CTP3116053A	Out of Frame OH Gasket Set	322B L, Excavator	120-4814	3116	4TF00001-4TF99999	Turbocharged Single Head
CTP3116053B	Inframe OH Set					
CTP3116053C	Cylinder Head Repl. Gasket Set		131-3804			
CTP3116054A	Out of Frame OH Gasket Set	322 L, 322 LN, 322 N, Excavator	133-8856	3116	4TF28174-4TF99999	Turbocharged Single Head
CTP3116054B	Inframe OH Set					
CTP3116054C	Cylinder Head Repl. Gasket Set					
CTP3116056A	Out of Frame OH Gasket Set	325, 325L, 325LN, Excavator	9Y-1932	3116	4TF02055-4TF99999	Turbocharged Single Head
CTP3116056B	Inframe OH Set					
CTP3116056C	Cylinder Head Repl. Gasket Set					
CTP3116057A	Out of Frame OH Gasket Set	CS-583, CS-533, CS-531, CS-563, CP-563, CS-573, Vibratory Compactors	4P-0844	3116	4TF05805-4TF99999	Turbocharged Single Head
CTP3116057B	Inframe OH Set					
CTP3116057C	Cylinder Head Repl. Gasket Set					
CTP3116058A	Out of Frame OH Gasket Set	561M, D5M, D5M LGP, Tractors	114-4508	3116	4TF23390-4TF99999	Turbocharged Single Head
CTP3116058B	Inframe OH Set					
CTP3116058C	Cylinder Head Repl. Gasket Set					

Part Number	Description	Machine Model / Application	Engine Arrangement	Engine Model	Engine Serial No.	Comments
CTP3116059A	Out of Frame OH Gasket Set	613C, Wheel Tractor/Scraper	4P-2400	3116	4TF00001-4TF99999	Turbocharged Single Head
CTP3116059B	Inframe OH Set					
CTP3116059C	Cylinder Head Repl. Gasket Set					
CTP3116060A	Out of Frame OH Gasket Set	928F, Wheel Loader IT28F, Integrated Toolcarrier	7C-9097	3116	4TF08700-4TF99999 98Z00131-98Z99999	Turbocharged Single Head
CTP3116060B	Inframe OH Set		6I-2803			
CTP3116060C	Cylinder Head Repl. Gasket Set		7C-9097 6I-2803			
CTP3116061A	Out of Frame OH Gasket Set		147-1753	3116	4TF00001-4TF99999	Turbocharged Single Head
CTP3116061B	Inframe OH Set					
CTP3116061C	Cylinder Head Repl. Gasket Set					
CTP3116062A	Out of Frame OH Gasket Set	938F, IT38F, Wheel Loader, Integrated Toolcarrier	103-1978	3116	4TF14130-4TF99999	Turbocharged Single Head
CTP3116062B	Inframe OH Set					
CTP3116062C	Cylinder Head Repl. Gasket Set					
CTP3116064A	Out of Frame OH Gasket Set	950F SERIES II, Wheel Loader	106-1758	3116	4TF00114-4TF99999	Turbocharged Single Head
CTP3116064B	Inframe OH Set					
CTP3116064C	Cylinder Head Repl. Gasket Set					
CTP3116065A	Out of Frame OH Gasket Set	950F SERIES II, Wheel Loader	116-7959	3116	4TF20681-4TF99999	Turbocharged Single Head
CTP3116065B	Inframe OH Set					
CTP3116065C	Cylinder Head Repl. Gasket Set					
CTP3116066A	Out of Frame OH Gasket Set	950F SERIES II, Wheel Loader	4P-9992	3116	4TF00114-4TF99999	Turbocharged Single Head
CTP3116066B	Inframe OH Set					
CTP3116066C	Cylinder Head Repl. Gasket Set					
CTP3116067A	Out of Frame OH Gasket Set	950F SERIES II, Wheel Loader	7E-0576	3116	4TF00001-4TF99999	Turbocharged Single Head
CTP3116067B	Inframe OH Set					
CTP3116067C	Cylinder Head Repl. Gasket Set					

Part Number	Description	Machine Model / Application	Engine Arrangement	Engine Model	Engine Serial No.	Comments
CTP3116068A	Out of Frame OH Gasket Set	953C, Track-Type Loader Hydrostatic Drive	116-4803	3116	4TF19620-4TF99999	Turbocharged Single Head
CTP3116068B	Inframe OH Set					
CTP3116068C	Cylinder Head Repl. Gasket Set					
CTP3116069A	Out of Frame OH Gasket Set	953B, Track-Type Loader 3116 Engine	6I-0793	3116	4TF03496-4TF99999	Turbocharged Single Head
CTP3116069B	Inframe OH Set					
CTP3116069C	Cylinder Head Repl. Gasket Set					
CTP3116070A	Out of Frame OH Gasket Set	960F, Wheel Loader	103-1980	3116	4TF10150-4TF99999	Turbocharged Single Head
CTP3116070B	Inframe OH Set					
CTP3116070C	Cylinder Head Repl. Gasket Set					
CTP3116071A	Out of Frame OH Gasket Set	960F, Wheel Loader	123-7734	3116	4TF10150-4TF99999	Turbocharged Single Head
CTP3116071B	Inframe OH Set					
CTP3116071C	Cylinder Head Repl. Gasket Set					
CTP3116072A	Out of Frame OH Gasket Set	963B, Track-Type Loader	114-7159	3116	4TF00001-4TF99999	Turbocharged Single Head
CTP3116072B	Inframe OH Set					
CTP3116072C	Cylinder Head Repl. Gasket Set					
CTP3116073A	Out of Frame OH Gasket Set	963B, Track-Type Loader	117-5187	3116	4TF17400-4TF99999	
CTP3116073B	Inframe OH Set					
CTP3116073C	Cylinder Head Repl. Gasket Set					
CTP3116074A	Out of Frame OH Gasket Set	963C, Track-Type Loader	127-1023	3116	4TF35104-4TF99999	Turbocharged Single Head
CTP3116074B	Inframe OH Set					
CTP3116074C	Cylinder Head Repl. Gasket Set					
CTP3116075A	Out of Frame OH Gasket Set	963B, Track-Type Loader	6I-3528	3116	4TF17400-4TF99999	
CTP3116075B	Inframe OH Set					
CTP3116075C	Cylinder Head Repl. Gasket Set					

Part Number	Description	Machine Model / Application	Engine Arrangement	Engine Model	Engine Serial No.	Comments
CTP3116076A	Out of Frame OH Gasket Set	CS-583, CP-533C, CS-533C, CS-533, CS-531, CP-563C, CS-563C, CS-563, CP-563, CS-573C, CS-583C, CS-573, CS-531C, Vibratory Compactors	111-7718	3116	4TF16569-4TF99999	Turbocharged Single Head
CTP3116076B	Inframe OH Set		111-7717		98Z04335-98Z99999	
CTP3116076C	Cylinder Head Repl. Gasket Set		6I-3038		98Z00001-98Z99999	
CTP3116077A	Out of Frame OH Gasket Set		114-3674	3116	4TF00001-4TF99999	Turbocharged Single Head
CTP3116077B	Inframe OH Set					
CTP3116077C	Cylinder Head Repl. Gasket Set					
CTP3116078A	Out of Frame OH Gasket Set	D20D & D250D, Actuated Truck	7E-7907	3116	4TF02055-4TF99999	Turbocharged Single Head
CTP3116078B	Inframe OH Set					
CTP3116078C	Cylinder Head Repl. Gasket Set					
CTP3116079A	Out of Frame OH Gasket Set		114-3675	3116	4TF00001-4TF99999	Turbocharged Single Head
CTP3116079B	Inframe OH Set					
CTP3116079C	Cylinder Head Repl. Gasket Set					
CTP3116080A	Out of Frame OH Gasket Set	D20D & D250D, Actuated Truck	9Y-8271	3116	4TF02055-4TF99999	Turbocharged Single Head
CTP3116080B	Inframe OH Set					
CTP3116080C	Cylinder Head Repl. Gasket Set					
CTP3116081A	Out of Frame OH Gasket Set	D6M & D6M LGP Track-Type, Tractors	107-4935	3116	4TF00001-4TF99999	Turbocharged Single Head
CTP3116081B	Inframe OH Set					
CTP3116081C	Cylinder Head Repl. Gasket Set					
CTP3116084A	Out of Frame OH Gasket Set	M318, M320, Excavator	118-3600	3116	4TF14681-4TF99999	Turbocharged Single Head
CTP3116084B	Inframe OH Set					
CTP3116084C	Cylinder Head Repl. Gasket Set					
CTP3116085A	Out of Frame OH Gasket Set	322B L & 322B LN, Excavator	120-4815	3116	4TF00001-4TF99999	Turbocharged Single Head
CTP3116085B	Inframe OH Set					
CTP3116085C	Cylinder Head Repl. Gasket Set					

Part Number	Description	Machine Model / Application	Engine Arrangement	Engine Model	Engine Serial No.	Comments
CTP3116086A	Out of Frame OH Gasket Set	928G, IT28G, Wheel Loader, Integrated Toolcarrier	118-0904	3116	6RR00001-6RR99999	Turbocharged Single Head
CTP3116086B	Inframe OH Set					
CTP3116086C	Cylinder Head Repl. Gasket Set					
CTP3116087A	Out of Frame OH Gasket Set	D6M Track-Type, Tractor Power Shift, Tractor XL	124-1564	3116	7JS00001-7JS99999	Turbocharged Single Head
CTP3116087B	Inframe OH Set		116-5807		98Z04100-98Z99999	
CTP3116087C	Cylinder Head Repl. Gasket Set		124-1564		98Z12110-98Z99999	
CTP3116088A	Out of Frame OH Gasket Set	D6M Track-Type, Tractor Power Shift, Tractor XL	146-8342	3116	7JS00961-7JS99999	Turbocharged Single Head
CTP3116088B	Inframe OH Set					
CTP3116088C	Cylinder Head Repl. Gasket Set					
CTP3116090A	Out of Frame OH Gasket Set	120H Motor Grader, 3116 Engine	110-8741	3116	98Z04100-98Z99999	Turbocharged Single Head
CTP3116090B	Inframe OH Set					
CTP3116090C	Cylinder Head Repl. Gasket Set					
CTP3116093A	Out of Frame OH Gasket Set	120H Motor Grader, 3116 Engine	146-8336	3116	98Z00001-98Z99999	Turbocharged Single Head
CTP3116093B	Inframe OH Set					
CTP3116093C	Cylinder Head Repl. Gasket Set					
CTP3116094A	Out of Frame OH Gasket Set	120H Motor Grader, Machine	146-8338	3116	98Z22034-98Z99999	Turbocharged Single Head
CTP3116094B	Inframe OH Set					
CTP3116094C	Cylinder Head Repl. Gasket Set					
CTP3116095A	Out of Frame OH Gasket Set	120H Motor Grader, 3116 Engine	146-8341	3116	98Z22034-98Z99999	Turbocharged Single Head
CTP3116095B	Inframe OH Set					
CTP3116095C	Cylinder Head Repl. Gasket Set					
CTP3116096A	Out of Frame OH Gasket Set	120H Motor Grader, Machine	7E-3352	3116	98Z01377-98Z99999	Turbocharged Single Head
CTP3116096B	Inframe OH Set					
CTP3116096C	Cylinder Head Repl. Gasket Set					

Part Number	Description	Machine Model / Application	Engine Arrangement	Engine Model	Engine Serial No.	Comments
CTP3116097A	Out of Frame OH Gasket Set	135H Motor Grader, 3116 Engine	110-8742	3116	98Z04100-98Z99999	Turbocharged Single Head
CTP3116097B	Inframe OH Set					
CTP3116097C	Cylinder Head Repl. Gasket Set					
CTP3116098A	Out of Frame OH Gasket Set	135H Motor Grader, 3116 Engine	146-8344 146-8346	3116	98Z14200-98Z99999	Turbocharged Single Head
CTP3116098B	Inframe OH Set					
CTP3116098C	Cylinder Head Repl. Gasket Set					
CTP3116100A	Out of Frame OH Gasket Set	322L, Excavator	113-1724	3116	98Z04000-98Z99999	Turbocharged Single Head
CTP3116100B	Inframe OH Set					
CTP3116100C	Cylinder Head Repl. Gasket Set					
CTP3116102A	Out of Frame OH Gasket Set	325, 325L, Excavator, Machine	101-4871	3116	98Z00001-98Z99999	Turbocharged Single Head
CTP3116102B	Inframe OH Set					
CTP3116102C	Cylinder Head Repl. Gasket Set					
CTP3116103A	Out of Frame OH Gasket Set	325B L, M325B, Excavator, Machine, Material Handler	131-3803	3116	98Z00001-98Z99999	Turbocharged Single Head
CTP3116103B	Inframe OH Set					
CTP3116103C	Cylinder Head Repl. Gasket Set					
CTP3116104A	Out of Frame OH Gasket Set	Challenger 35 & 45, Tractor	108-8301	3116	98Z04350-98Z99999	Turbocharged Single Head
CTP3116104B	Inframe OH Set					
CTP3116104C	Cylinder Head Repl. Gasket Set					
CTP3116105A	Out of Frame OH Gasket Set	Challenger 35 & 45, Machine	108-8300	3116	98Z04350-98Z99999	Turbocharged Single Head
CTP3116105B	Inframe OH Set					
CTP3116105C	Cylinder Head Repl. Gasket Set					
CTP3116106A	Out of Frame OH Gasket Set	Challenger 35 & 45, Tractor 80 (2032mm) Tractor 60 (1524 mm)	154-6045	3116	98Z00001-98Z99999	Turbocharged Single Head
CTP3116106B	Inframe OH Set					
CTP3116106C	Cylinder Head Repl. Gasket Set					

Part Number	Description	Machine Model / Application	Engine Arrangement	Engine Model	Engine Serial No.	Comments
CTP3116107A	Out of Frame OH Gasket Set	613C, Wheel Tractor	118-7663	3116	98Z00001-98Z99999	Turbocharged Single Head
CTP3116107B	Inframe OH Set					
CTP3116107C	Cylinder Head Repl. Gasket Set					
CTP3116108A	Out of Frame OH Gasket Set	613C, Wheel Tractor	4P-2400	3116	98Z00001-98Z99999	Turbocharged Single Head
CTP3116108B	Inframe OH Set					
CTP3116108C	Cylinder Head Repl. Gasket Set					
CTP3116109A	Out of Frame OH Gasket Set	928F, Wheel Loader	101-7527	3116	98Z00820-98Z99999	Turbocharged Single Head
CTP3116109B	Inframe OH Set					
CTP3116109C	Cylinder Head Repl. Gasket Set					
CTP3116110A	Out of Frame OH Gasket Set	928G, Wheel Loader	158-3335	3116	98Z28633-98Z99999	Turbocharged Single Head
CTP3116110B	Inframe OH Set					
CTP3116110C	Cylinder Head Repl. Gasket Set					
CTP3116112A	Out of Frame OH Gasket Set	938F, IT38F, Wheel Loader, Integrated Toolcarrier	103-1978	3116	98Z00001-98Z99999	Turbocharged Single Head
CTP3116112B	Inframe OH Set					
CTP3116112C	Cylinder Head Repl. Gasket Set					
CTP3116114A	Out of Frame OH Gasket Set	950F SERIES II, Wheel Loader	100-5839 100-7024	3116	98Z00001-98Z99999	Turbocharged Single Head
CTP3116114B	Inframe OH Set					
CTP3116114C	Cylinder Head Repl. Gasket Set					
CTP3116116A	Out of Frame OH Gasket Set	950F SERIES II, Wheel Loader	106-1756	3116	98Z02350-98Z99999	Turbocharged Single Head
CTP3116116B	Inframe OH Set					
CTP3116116C	Cylinder Head Repl. Gasket Set					
CTP3116117A	Out of Frame OH Gasket Set	950F SERIES II, Wheel Loader	112-9039	3116	98Z14398-98Z99999	Turbocharged Single Head
CTP3116117B	Inframe OH Set					
CTP3116117C	Cylinder Head Repl. Gasket Set					

Part Number	Description	Machine Model / Application	Engine Arrangement	Engine Model	Engine Serial No.	Comments
CTP3116118A	Out of Frame OH Gasket Set	950F SERIES II, Wheel Loader	116-7958	3116	98Z08480-98Z99999	Turbocharged Single Head
CTP3116118B	Inframe OH Set					
CTP3116118C	Cylinder Head Repl. Gasket Set					
CTP3116119A	Out of Frame OH Gasket Set	960F, Wheel Loader	106-4772	3116	98Z01750-98Z99999	Turbocharged Single Head
CTP3116119B	Inframe OH Set		108-2294			
CTP3116119C	Cylinder Head Repl. Gasket Set					
CTP3116121A	Out of Frame OH Gasket Set	960F, Wheel Loader	112-9040	3116	98Z00001-98Z99999	Turbocharged Single Head
CTP3116121B	Inframe OH Set					
CTP3116121C	Cylinder Head Repl. Gasket Set					
CTP3116122A	Out of Frame OH Gasket Set	960F, Wheel Loader	116-7960	3116	98Z08480-98Z99999	Turbocharged Single Head
CTP3116122B	Inframe OH Set					
CTP3116122C	Cylinder Head Repl. Gasket Set					
CTP3116123A	Out of Frame OH Gasket Set		61-3657	3116	98Z00001-98Z99999	Turbocharged Single Head
CTP3116123B	Inframe OH Set					
CTP3116123C	Cylinder Head Repl. Gasket Set					
CTP3116124A	Out of Frame OH Gasket Set	AP-1000, AP-1050, Asphalt Paver	112-1684	3116	98Z03000-98Z99999	Turbocharged Single Head
CTP3116124B	Inframe OH Set		104-3000			
CTP3116124C	Cylinder Head Repl. Gasket Set					
CTP3116125A	Out of Frame OH Gasket Set	AP-1000, Asphalt Paver	133-4249	3116	98Z01610-98Z99999	Turbocharged Single Head
CTP3116125B	Inframe OH Set					
CTP3116125C	Cylinder Head Repl. Gasket Set					
CTP3116126A	Out of Frame OH Gasket Set	AP-1050, Asphalt Paver	61-3039	3116	98Z00001-98Z99999	Turbocharged Single Head
CTP3116126B	Inframe OH Set					
CTP3116126C	Cylinder Head Repl. Gasket Set					

Part Number	Description	Machine Model / Application	Engine Arrangement	Engine Model	Engine Serial No.	Comments
CTP3116127A	Out of Frame OH Gasket Set	Caterpillar AP-1050B, Barber-Greene BG-245C, Caterpillar AP-1055B, Barber-Greene BG-2455C, Asphalt Paver	105-4404	3116	98Z01135-98Z99999	Turbocharged Single Head
CTP3116127B	Inframe OH Set					
CTP3116127C	Cylinder Head Repl. Gasket Set					
CTP3116128A	Out of Frame OH Gasket Set	Caterpillar AP-1050B, Barber-Greene BG-245C, Caterpillar AP-1055B, Barber-Greene BG-2455C, BG260, Asphalt Paver	133-4245	3116	98Z16276-98Z99999	Turbocharged Single Head
CTP3116128B	Inframe OH Set					
CTP3116128C	Cylinder Head Repl. Gasket Set					
CTP3116130A	Out of Frame OH Gasket Set		130-9242	3116	98Z14252-98Z99999	Turbocharged Single Head
CTP3116130B	Inframe OH Set					
CTP3116130C	Cylinder Head Repl. Gasket Set					
CTP3116131A	Out of Frame OH Gasket Set	CB-634C, CB-634, Vibratory Compactor	105-6144	3116	98Z01230-98Z99999	Turbocharged Single Head
CTP3116131B	Inframe OH Set					
CTP3116131C	Cylinder Head Repl. Gasket Set					
CTP3116132A	Out of Frame OH Gasket Set	CB-634C, Vibratory Compactor	133-4246	3116	98Z15855-98Z99999	Turbocharged Single Head
CTP3116132B	Inframe OH Set					
CTP3116132C	Cylinder Head Repl. Gasket Set					
CTP3116135A	Out of Frame OH Gasket Set	CS-563C, CP-563C, CS-583C, Vibratory Compactor	133-4247	3116	98Z16285-98Z99999	Turbocharged Single Head
CTP3116135B	Inframe OH Set					
CTP3116135C	Cylinder Head Repl. Gasket Set					
CTP3116136A	Out of Frame OH Gasket Set	1T28F, Integrated Toolcarrier	101-7528	3116	98Z00820-98Z99999	Turbocharged Single Head
CTP3116136B	Inframe OH Set					
CTP3116136C	Cylinder Head Repl. Gasket Set					

Part Number	Description	Machine Model / Application	Engine Arrangement	Engine Model	Engine Serial No.	Comments
CTP3116137A	Out of Frame OH Gasket Set	TRUCK	133-2151 101-3149 106-7836 153-9720 121-3213 178-4491	3116	7HS0001-7HS01806	Turbocharged Single Head
CTP3116137B	Inframe OH Set				7JL00001-UP 9GK00001-9GK70157	
CTP3116137C	Cylinder Head Repl. Gasket Set				9LN00001-UP 9YN00503-UP 2FR00001-UP	
CTP3116138A	Out of Frame OH Gasket Set	TRUCK	106-7885 4P-1533 153-9720	3116	9GK00001-9GK70157	Turbocharged Single Head
CTP3116138B	Inframe OH Set				2BK00001-UP 9LN00001-UP	
CTP3116138C	Cylinder Head Repl. Gasket Set					
CTP3116139A	Out of Frame OH Gasket Set	TRUCK	7E-0576 6I-2322 112-9040 133-8829	3116	4TF00001-UP 2WG00001-UP 98Z00001-UP 1CK00001-UP	Turbocharged Single Head
CTP3116139B	Inframe OH Set	INDUSTRIAL				
CTP3116139C	Cylinder Head Repl. Gasket Set	MACHINE				
CTP3116140A	Out of Frame OH Gasket Set	TRUCK	133-1651 101-3146 108-3110 119-7799 117-4665 143-7779	3116	2FR00001-UP 7JL00001-UP 9GK00001-9GK70157	Turbocharged Single Head
CTP3116140B	Inframe OH Set				9YN00001-9YN04624	
CTP3116140C	Cylinder Head Repl. Gasket Set				9LN00658-9LN08668 2CW00188-UP	
CTP3116141A	Out of Frame OH Gasket Set	TRUCK	153-9720 6I-3038 114-2910 6I-2327	3116	9LN00001-UP 98Z00001-UP 5EN00001-UP 2WG02627-UP	Turbocharged Single Head
CTP3116141B	Inframe OH Set	MACHINE				
CTP3116141C	Cylinder Head Repl. Gasket Set	INDUSTRIAL				
CTP3116142A	Out of Frame OH Gasket Set	TRUCK	7E-0824 6I-2322 7E-2963 112-9040	3116	7SF00001-7SF19179	Turbocharged Single Head
CTP3116142B	Inframe OH Set	MACHINE				
CTP3116142C	Cylinder Head Repl. Gasket Set	INDUSTRIAL				
CTP3116143A	Out of Frame OH Gasket Set	TRUCK	100-5167 5R-8668 118-9577 143-7779	3116	2BK25081-UP 3RJ00001-UP 7AG00001-UP 2CW00188-UP	Turbocharged Single Head
CTP3116143B	Inframe OH Set					
CTP3116143C	Cylinder Head Repl. Gasket Set					

Part Number	Description	Machine Model / Application	Engine Arrangement	Engine Model	Engine Serial No.	Comments
CTP3116144A	Out of Frame OH Gasket Set	TRUCK	7E-1085 120-4814 7E-2963	3116	7SF00001-UP 4TF00001-UP 4PG00587-UP	Turbocharged Single Head
CTP3116144B	Inframe OH Set	MACHINE				
CTP3116144C	Cylinder Head Repl. Gasket Set	INDUSTRIAL				
CTP3116145A	Out of Frame OH Gasket Set	MACHINE	154-6045 118-0904 7W-6852	3116	98Z00001-UP 6RR00001-UP 4TF00001-UP	Turbocharged Single Head
CTP3116145B	Inframe OH Set					
CTP3116145C	Cylinder Head Repl. Gasket Set					
CTP3116146A	Out of Frame OH Gasket Set	6C-9319	3116	4TF00001-4TF99999 4TF00001-4TF99999	Turbocharged Single Head	
CTP3116146B	Inframe OH Set					
CTP3116146C	Cylinder Head Repl. Gasket Set					

3126

Part Number	Description	Machine Model / Application	Engine Arrangement	Engine Model	Engine Serial No.	Comments
CTP3126001A	Out of Frame OH Gasket Set	962G 938G	1168671 1365993 1568049	3126	6EW01-UP 55K01-UP 6JK01-UP	Turbocharged Water Aftercooled
CTP3126001B	Inframe OH Set					
CTP3126001C	Cylinder Head Repl. Gasket Set					
CTP3126002A	Out of Frame OH Gasket Set	Industrial	1324383 / 1324388 1324384 / 1393317 1324385 / 1883544 1324386 / 2245571 1324387 / 2349461	3126	9ZR03822-UP	Turbocharged Water Aftercooled
CTP3126002B	Inframe OH Set					
CTP3126002C	Cylinder Head Repl. Gasket Set					
CTP3126003A	Out of Frame OH Gasket Set	Industrial 3126B 938G II	1983457 / 2053735 2195857 / 2397355 2435129 / 2037096 2082839 / 2358170 1983458 / 2122271 2366994 / 2397357 2451803 / 2539434 2143554 / 2416920 2053734 / 2122272 2397354 / 2435127 2540282 / 2037097 2358169 / 2151516 2435128 / 2082838 1983461 / 2933826 2370771 / 1953336 1983455 / 1983456	3126B	BEJ01-UP	Turbocharged
CTP3126003B	Inframe OH Set					
CTP3126003C	Cylinder Head Repl. Gasket Set					

Part Number	Description	Machine Model / Application	Engine Arrangement	Engine Model	Engine Serial No.	Comments
CTP3126004A	Out of Frame OH Gasket Set	938G, Wheel Loader	135-6437 138-3673	3126	3AK00001-3AK99999	Turbocharged Single Head
CTP3126004B	Inframe OH Set					
CTP3126004C	Cylinder Head Repl. Gasket Set					
CTP3126005A	Out of Frame OH Gasket Set	962G, Wheel Loader	116-8671 143-7058	3126	3AK00117-3AK99999 6JK00001-6JK99999	Turbocharged Single Head
CTP3126005B	Inframe OH Set					
CTP3126005C	Cylinder Head Repl. Gasket Set					
CTP3126006A	Out of Frame OH Gasket Set	525B, Wheel Skidder	148-3017	3126	55K00001-55K99999	Turbocharged Single Head
CTP3126006B	Inframe OH Set					
CTP3126006C	Cylinder Head Repl. Gasket Set					
CTP3126007A	Out of Frame OH Gasket Set	Challenger 55, Agricultural Tractor	154-4515	3126	55K01552-55K99999	Turbocharged Single Head
CTP3126007B	Inframe OH Set					
CTP3126007C	Cylinder Head Repl. Gasket Set					
CTP3126008A	Out of Frame OH Gasket Set	938G, IT38G, Wheel Loader & Integrated Toolcarrier	135-6437 138-3673	3126	55K00001-55K99999 6JK00001-6JK99999	Turbocharged Single Head
CTP3126008B	Inframe OH Set					
CTP3126008C	Cylinder Head Repl. Gasket Set					
CTP3126009A	Out of Frame OH Gasket Set	950G, Wheel Loader	116-8670	3126	55K01620-55K99999 55K00512-55K99999 6JK00171-6JK99999	Turbocharged Single Head
CTP3126009B	Inframe OH Set					
CTP3126009C	Cylinder Head Repl. Gasket Set					
CTP3126010A	Out of Frame OH Gasket Set	938G II, IT38G II, Wheel Loader & Integrated Toolcarrier	198-5914	3126	56G00001-56G99999 BMA00001-BMA99999	Turbocharged Single Head
CTP3126010B	Inframe OH Set					
CTP3126010C	Cylinder Head Repl. Gasket Set					
CTP3126011A	Out of Frame OH Gasket Set	950G II, Wheel Loader	216-0848	3126	56G00001-56G99999	Turbocharged Single Head
CTP3126011B	Inframe OH Set					
CTP3126011C	Cylinder Head Repl. Gasket Set					

Part Number	Description	Machine Model / Application	Engine Arrangement	Engine Model	Engine Serial No.	Comments
CTP3126012A	Out of Frame OH Gasket Set	D5N XL, LGP Track-Type Tractor	188-2033	3126	BMA00001-BMA99999	Turbocharged Single Head
CTP3126012B	Inframe OH Set					
CTP3126012C	Cylinder Head Repl. Gasket Set					
CTP3126013A	Out of Frame OH Gasket Set	D6N XL, D/S, FTC; LGP Track-Type Tractor	191-4479	3126	BMA00001-BMA99999	Turbocharged Single Head
CTP3126013B	Inframe OH Set					
CTP3126013C	Cylinder Head Repl. Gasket Set					
CTP3126014A	Out of Frame OH Gasket Set	3126, Truck Engine (Military)	130-1500	3126	1BW00001-1BW99999	Turbocharged Single Head
CTP3126014B	Inframe OH Set					
CTP3126014C	Cylinder Head Repl. Gasket Set					
CTP3126015A	Out of Frame OH Gasket Set	3126, Truck Engine	116-4558	3126	1WM00094-1WM99999	Turbocharged Single Head
CTP3126015B	Inframe OH Set					
CTP3126015C	Cylinder Head Repl. Gasket Set					
CTP3126016A	Out of Frame OH Gasket Set	3126, Truck Engine	120-6662 121-4321 121-4323 121-4324 121-4325	3126	1WM00095-180 1WM00001-202 1WM00001-137 1WM00001-096 1WM00001-UP	Turbocharged Single Head
CTP3126016B	Inframe OH Set					
CTP3126016C	Cylinder Head Repl. Gasket Set					
CTP3126017A	Out of Frame OH Gasket Set					
CTP3126017B	Inframe OH Set	3126, Truck Engine	121-4326 122-1709 123-0860 123-0865	3126	1WM00001-1WM0202 1WM00124-1WM02022 1WM00141-1WM02029	Turbocharged Single Head
CTP3126017C	Cylinder Head Repl. Gasket Set					
CTP3126018A	Out of Frame OH Gasket Set	3126, Truck Engine	120-8256 120-8257 120-8258 120-8259 120-8260 120-8261	3126	1WM00203-1WM00887	Turbocharged Single Head
CTP3126018B	Inframe OH Set					
CTP3126018C	Cylinder Head Repl. Gasket Set					
CTP3126019A	Out of Frame OH Gasket Set	3126, Truck Engine	120-8262 120-8263 120-8264 120-8265 120-8266 120-8267 120-8271	3126	1WM00203-1WM00887	Turbocharged Single Head
CTP3126019B	Inframe OH Set					
CTP3126019C	Cylinder Head Repl. Gasket Set					

Part Number	Description	Machine Model / Application	Engine Arrangement	Engine Model	Engine Serial No.	Comments
CTP3126020A	Out of Frame OH Gasket Set	3126, Truck Engine	120-8268 120-8269	3126	1WM00203-1WM00887	Turbocharged Single Head
CTP3126020B	Inframe OH Set					
CTP3126020C	Cylinder Head Repl. Gasket Set					
CTP3126021A	Out of Frame OH Gasket Set	3126, Truck Engine	120-8270 125-0551 125-0552 125-0553 125-0554 125-0555	3126	1WM00203-1WM00887	Turbocharged Single Head
CTP3126021B	Inframe OH Set					
CTP3126021C	Cylinder Head Repl. Gasket Set					
CTP3126022A	Out of Frame OH Gasket Set	3126, Truck Engine	125-0556 125-0557 125-0558 125-0559 125-0560 125-0561	3126	1WM00203-1WM00887	Turbocharged Single Head
CTP3126022B	Inframe OH Set					
CTP3126022C	Cylinder Head Repl. Gasket Set					
CTP3126023A	Out of Frame OH Gasket Set	3126, Truck Engine	120-8272	3126	1WM00203-1WM00887	Turbocharged Single Head
CTP3126023B	Inframe OH Set					
CTP3126023C	Cylinder Head Repl. Gasket Set					
CTP3126024A	Out of Frame OH Gasket Set	3126, Truck Engine	125-0562 125-0563 125-0564 125-0565 125-0566	3126	1WM00203-1WM00887	Turbocharged Single Head
CTP3126024B	Inframe OH Set					
CTP3126024C	Cylinder Head Repl. Gasket Set					
CTP3126025A	Out of Frame OH Gasket Set	3126, Truck Engine	125-0567	3126	1WM00203-1WM00887	Turbocharged Single Head
CTP3126025B	Inframe OH Set					
CTP3126025C	Cylinder Head Repl. Gasket Set					
CTP3126026A	Out of Frame OH Gasket Set	3126, Truck Engine	125-0568	3126	1WM00203-1WM00887	Turbocharged Single Head
CTP3126026B	Inframe OH Set					
CTP3126026C	Cylinder Head Repl. Gasket Set					
CTP3126027A	Out of Frame OH Gasket Set	3126, Truck Engine	126-8620	3126	1WM00001-1WM99999	Turbocharged Single Head
CTP3126027B	Inframe OH Set					
CTP3126027C	Cylinder Head Repl. Gasket Set					

Part Number	Description	Machine Model / Application	Engine Arrangement	Engine Model	Engine Serial No.	Comments
CTP3126028A	Out of Frame OH Gasket Set	3126, Truck Engine	126-8621 126-8628	3126	1WM00001-1WM99999	Turbocharged Single Head
CTP3126028B	Inframe OH Set					
CTP3126028C	Cylinder Head Repl. Gasket Set					
CTP3126029A	Out of Frame OH Gasket Set	3126, Truck Engine	126-8622 126-8627 126-8630	3126	1WM00001-1WM99999	Turbocharged Single Head
CTP3126029B	Inframe OH Set					
CTP3126029C	Cylinder Head Repl. Gasket Set					
CTP3126030A	Out of Frame OH Gasket Set	3126, Truck Engine	126-8623 126-8624 126-8625 126-8645 126-8646	3126	1WM00001-1WM99999	Turbocharged Single Head
CTP3126030B	Inframe OH Set					
CTP3126030C	Cylinder Head Repl. Gasket Set					
CTP3126031A	Out of Frame OH Gasket Set	3126, Truck Engine	126-8626	3126	1WM00001-1WM99999	Turbocharged Single Head
CTP3126031B	Inframe OH Set					
CTP3126031C	Cylinder Head Repl. Gasket Set					
CTP3126032A	Out of Frame OH Gasket Set	3126, Truck Engine	126-8629	3126	1WM00001-1WM99999	Turbocharged Single Head
CTP3126032B	Inframe OH Set					
CTP3126032C	Cylinder Head Repl. Gasket Set					
CTP3126033A	Out of Frame OH Gasket Set	3126, Truck Engine	126-8631 126-8632 126-8633 126-8634 126-8635	3126	1WM00001-1WM99999	Turbocharged Single Head
CTP3126033B	Inframe OH Set					
CTP3126033C	Cylinder Head Repl. Gasket Set					
CTP3126034A	Out of Frame OH Gasket Set	3126, Truck Engine	126-8647 126-8648 126-8649 126-8650 126-8654	3126	1WM00001-1WM99999	Turbocharged Single Head
CTP3126034B	Inframe OH Set					
CTP3126034C	Cylinder Head Repl. Gasket Set					
CTP3126035A	Out of Frame OH Gasket Set	3126, Truck Engine	126-8651 126-8652 126-8653 128-5788	3126	1WM00001-1WM99999	Turbocharged Single Head
CTP3126035B	Inframe OH Set					
CTP3126035C	Cylinder Head Repl. Gasket Set					

Part Number	Description	Machine Model / Application	Engine Arrangement	Engine Model	Engine Serial No.	Comments
CTP3126036A	Out of Frame OH Gasket Set	3126, Truck Engine	126-8655 126-8658 126-8659 126-8662	3126	1WM00001-1WM99999	Turbocharged Single Head
CTP3126036B	Inframe OH Set					
CTP3126036C	Cylinder Head Repl. Gasket Set					
CTP3126037A	Out of Frame OH Gasket Set	3126, Truck Engine	126-8656	3126	1WM00001-1WM99999	Turbocharged Single Head
CTP3126037B	Inframe OH Set					
CTP3126037C	Cylinder Head Repl. Gasket Set					
CTP3126038A	Out of Frame OH Gasket Set	3126, Truck Engine	126-8657	3126	1WM00001-1WM99999	Turbocharged Single Head
CTP3126038B	Inframe OH Set					
CTP3126038C	Cylinder Head Repl. Gasket Set					
CTP3126039A	Out of Frame OH Gasket Set	3126, Truck Engine	126-8660	3126	1WM00001-1WM99999	Turbocharged Single Head
CTP3126039B	Inframe OH Set					
CTP3126039C	Cylinder Head Repl. Gasket Set					
CTP3126040A	Out of Frame OH Gasket Set	3126, Truck Engine	126-8664	3126	1WM00001-1WM99999	Turbocharged Single Head
CTP3126040B	Inframe OH Set					
CTP3126040C	Cylinder Head Repl. Gasket Set					
CTP3126041A	Out of Frame OH Gasket Set	3126, Truck Engine	126-8670 127-1838 128-5727	3126	1WM00001-1WM99999	Turbocharged Single Head
CTP3126041B	Inframe OH Set					
CTP3126041C	Cylinder Head Repl. Gasket Set					
CTP3126042A	Out of Frame OH Gasket Set	3126, Truck Engine	126-8671	3126	1WM00001-1WM99999	Turbocharged Single Head
CTP3126042C	Cylinder Head Repl. Gasket Set					
CTP3126043A	Out of Frame OH Gasket Set	3126, Truck Engine	126-8673	3126	1WM00001-1WM99999	Turbocharged Single Head
CTP3126043B	Inframe OH Set					
CTP3126043C	Cylinder Head Repl. Gasket Set					

Part Number	Description	Machine Model / Application	Engine Arrangement	Engine Model	Engine Serial No.	Comments
CTP3126044A	Out of Frame OH Gasket Set	3126, Truck Engine	127-1831	3126	1WM00001-1WM99999	Turbocharged Single Head
CTP3126044B	Inframe OH Set					
CTP3126044C	Cylinder Head Repl. Gasket Set					
CTP3126045A	Out of Frame OH Gasket Set	3126, Truck Engine	127-1866 128-5763	3126	1WM00001-1WM99999	Turbocharged Single Head
CTP3126045B	Inframe OH Set					
CTP3126045C	Cylinder Head Repl. Gasket Set					
CTP3126046A	Out of Frame OH Gasket Set	3126, Truck Engine	127-1868	3126	1WM00001-1WM99999	Turbocharged Single Head
CTP3126046B	Inframe OH Set					
CTP3126046C	Cylinder Head Repl. Gasket Set					
CTP3126047A	Out of Frame OH Gasket Set	3126, Truck Engine	127-6531 127-6570 128-5789	3126	1WM00001-1WM99999	Turbocharged Single Head
CTP3126047B	Inframe OH Set					
CTP3126047C	Cylinder Head Repl. Gasket Set					
CTP3126048A	Out of Frame OH Gasket Set	3126, Truck Engine	127-6563	3126	1WM00001-1WM99999	Turbocharged Single Head
CTP3126048B	Inframe OH Set					
CTP3126048C	Cylinder Head Repl. Gasket Set					
CTP3126049A	Out of Frame OH Gasket Set	3126, Truck Engine	127-6571	3126	1WM00001-1WM99999	Turbocharged Single Head
CTP3126049B	Inframe OH Set					
CTP3126049C	Cylinder Head Repl. Gasket Set					
CTP3126050A	Out of Frame OH Gasket Set	3126, Truck Engine	127-6572 129-3661	3126	1WM00001-1WM99999	Turbocharged Single Head
CTP3126050B	Inframe OH Set					
CTP3126050C	Cylinder Head Repl. Gasket Set					
CTP3126051A	Out of Frame OH Gasket Set	3126, Truck Engine	127-6591 129-3642	3126	1WM00001-1WM99999	Turbocharged Single Head
CTP3126051B	Inframe OH Set					
CTP3126051C	Cylinder Head Repl. Gasket Set					

Part Number	Description	Machine Model / Application	Engine Arrangement	Engine Model	Engine Serial No.	Comments
CTP3126052A	Out of Frame OH Gasket Set		128-5793	3126	1WM00001-1WM99999	Turbocharged Single Head
CTP3126052B	Inframe OH Set					
CTP3126052C	Cylinder Head Repl. Gasket Set					
CTP3126053A	Out of Frame OH Gasket Set		129-1719 129-3653 132-6097 133-7800 134-1608	3126	1WM00001-1WM99999	Turbocharged Single Head
CTP3126053B	Inframe OH Set					
CTP3126053C	Cylinder Head Repl. Gasket Set					
CTP3126054A	Out of Frame OH Gasket Set		129-9741	3126	1WM00001-1WM99999	Turbocharged Single Head
CTP3126054B	Inframe OH Set					
CTP3126054C	Cylinder Head Repl. Gasket Set					
CTP3126055A	Out of Frame OH Gasket Set		131-9250	3126	1WM00001-1WM99999	Turbocharged Single Head
CTP3126055B	Inframe OH Set					
CTP3126055C	Cylinder Head Repl. Gasket Set					
CTP3126056A	Out of Frame OH Gasket Set		132-6100	3126	1WM00001-1WM99999	Turbocharged Single Head
CTP3126056B	Inframe OH Set					
CTP3126056C	Cylinder Head Repl. Gasket Set					
CTP3126057A	Out of Frame OH Gasket Set		133-4122 133-4123	3126	1WM00001-1WM99999	Turbocharged Single Head
CTP3126057B	Inframe OH Set					
CTP3126057C	Cylinder Head Repl. Gasket Set					
CTP3126058A	Out of Frame OH Gasket Set		133-4124 133-4125 133-7686	3126	1WM00001-1WM99999	Turbocharged Single Head
CTP3126058B	Inframe OH Set					
CTP3126058C	Cylinder Head Repl. Gasket Set					
CTP3126059A	Out of Frame OH Gasket Set		134-4825	3126	1WM00001-1WM99999	Turbocharged Single Head
CTP3126059B	Inframe OH Set					
CTP3126059C	Cylinder Head Repl. Gasket Set					

Part Number	Description	Machine Model / Application	Engine Arrangement	Engine Model	Engine Serial No.	Comments
CTP3126060A	Out of Frame OH Gasket Set		134-4827 136-0656	3126	1WM00001-1WM99999	Turbocharged Single Head
CTP3126060B	Inframe OH Set					
CTP3126060C	Multiple Cyl. Head Repl. Gasket Set					
CTP3126061A	Out of Frame OH Gasket Set		134-4829	3126	1WM00001-1WM99999	Turbocharged Single Head
CTP3126061C	Multiple Cyl. Head Repl. Gasket Set					
CTP3126062A	Out of Frame OH Gasket Set		134-4830 135-0878 135-0879 135-0882 135-0885	3126	1WM00001-1WM99999	Turbocharged Single Head
CTP3126062B	Inframe OH Set					
CTP3126062C	Multiple Cyl. Head Repl. Gasket Set					
CTP3126063A	Out of Frame OH Gasket Set		134-4862	3126	1WM00001-1WM99999	Turbocharged Single Head
CTP3126063C	Multiple Cyl. Head Repl. Gasket Set					
CTP3126064A	Out of Frame OH Gasket Set		134-4991 135-4877 137-5490	3126	1WM00001-1WM99999	Turbocharged Single Head
CTP3126064B	Inframe OH Set					
CTP3126064C	Multiple Cyl. Head Repl. Gasket Set					
CTP3126065A	Out of Frame OH Gasket Set		135-0877 135-0887	3126	1WM00001-1WM99999	Turbocharged Single Head
CTP3126065B	Inframe OH Set					
CTP3126065C	Multiple Cyl. Head Repl. Gasket Set					
CTP3126066A	Out of Frame OH Gasket Set		135-0880 135-0883	3126	1WM00001-1WM99999	Turbocharged Single Head
CTP3126066B	Inframe OH Set					
CTP3126066C	Cylinder Head Repl. Gasket Set					
CTP3126067A	Out of Frame OH Gasket Set		135-0886 135-0888 135-0889 135-0890 135-4876	3126	1WM00001-1WM99999	Turbocharged Single Head
CTP3126067B	Inframe OH Set					
CTP3126067C	Cylinder Head Repl. Gasket Set					

Part Number	Description	Machine Model / Application	Engine Arrangement	Engine Model	Engine Serial No.	Comments
CTP3126068A	Out of Frame OH Gasket Set		135-0892	3126	1WM00001-1WM99999	Turbocharged Single Head
CTP3126068B	Inframe OH Set					
CTP3126068C	Cylinder Head Repl. Gasket Set					
CTP3126069A	Out of Frame OH Gasket Set		135-0893	3126	1WM00001-1WM99999	Turbocharged Single Head
CTP3126069B	Inframe OH Set					
CTP3126069C	Cylinder Head Repl. Gasket Set					
CTP3126070A	Out of Frame OH Gasket Set		136-0737	3126	1WM00001-1WM26507	Turbocharged Single Head
CTP3126070C	Cylinder Head Repl. Gasket Set					
CTP3126071A	Out of Frame OH Gasket Set		137-5387	3126	1WM05198-1WM99999	Turbocharged Single Head
CTP3126071B	Inframe OH Set					
CTP3126071C	Cylinder Head Repl. Gasket Set					
CTP3126072A	Out of Frame OH Gasket Set		137-5389 137-5392 139-9941	3126	1WM00001-1WM99999	Turbocharged Single Head
CTP3126072B	Inframe OH Set					
CTP3126072C	Cylinder Head Repl. Gasket Set					
CTP3126073A	Out of Frame OH Gasket Set		137-5391 137-5400 139-9856 139-9868	3126	1WM00001-1WM99999	Turbocharged Single Head
CTP3126073B	Inframe OH Set					
CTP3126073C	Cylinder Head Repl. Gasket Set					
CTP3126074A	Out of Frame OH Gasket Set		137-5401	3126	1WM00001-1WM99999	Turbocharged Single Head
CTP3126074B	Inframe OH Set					
CTP3126074C	Cylinder Head Repl. Gasket Set					
CTP3126075A	Out of Frame OH Gasket Set		137-5402	3126	1WM00001-1WM99999	Turbocharged Single Head
CTP3126075B	Inframe OH Set					
CTP3126075C	Cylinder Head Repl. Gasket Set					

Part Number	Description	Machine Model / Application	Engine Arrangement	Engine Model	Engine Serial No.	Comments
CTP3126076A	Out of Frame OH Gasket Set		137-5450	3126	1WM00001-1WM99999	Turbocharged Single Head
CTP3126076B	Inframe OH Set					
CTP3126076C	Cylinder Head Repl. Gasket Set					
CTP3126077A	Out of Frame OH Gasket Set		137-5451 137-5452 137-5453 137-5455	3126	1WM00001-1WM99999	Turbocharged Single Head
CTP3126077B	Inframe OH Set					
CTP3126077C	Cylinder Head Repl. Gasket Set					
CTP3126078A	Out of Frame OH Gasket Set		137-5476	3126	1WM00001-1WM99999	Turbocharged Single Head
CTP3126078B	Inframe OH Set					
CTP3126078C	Cylinder Head Repl. Gasket Set					
CTP3126079A	Out of Frame OH Gasket Set		138-6035	3126	1WM05709-1WM99999	Turbocharged Single Head
CTP3126079B	Inframe OH Set					
CTP3126079C	Cylinder Head Repl. Gasket Set					
CTP3126080A	Out of Frame OH Gasket Set		139-9779	3126	1WM00001-1WM99999	Turbocharged Single Head
CTP3126080B	Inframe OH Set					
CTP3126080C	Cylinder Head Repl. Gasket Set					
CTP3126081A	Out of Frame OH Gasket Set		139-9858 139-9859 139-9933 139-9945 139-9949	3126	1WM00001-1WM99999	Turbocharged Single Head
CTP3126081B	Inframe OH Set					
CTP3126081C	Cylinder Head Repl. Gasket Set					
CTP3126082A	Out of Frame OH Gasket Set		139-9943	3126	1WM00001-1WM99999	Turbocharged Single Head
CTP3126082B	Inframe OH Set					
CTP3126082C	Cylinder Head Repl. Gasket Set					
CTP3126083A	Out of Frame OH Gasket Set		139-9944 139-9947 141-4290	3126	1WM00001-1WM99999	Turbocharged Single Head
CTP3126083B	Inframe OH Set					
CTP3126083C	Cylinder Head Repl. Gasket Set					

Part Number	Description	Machine Model / Application	Engine Arrangement	Engine Model	Engine Serial No.	Comments
CTP3126101A	Out of Frame OH Gasket Set		143-1110		1WM08739-1WM26507	
CTP3126101B	Inframe OH Set		143-1133	3126	1WM09411-1WM26507	Turbocharged Single Head
CTP3126101C	Cylinder Head Repl. Gasket Set		143-1134			
CTP3126102A	Out of Frame OH Gasket Set		143-1111	3126	1WM08739-1WM26507	Turbocharged Single Head
CTP3126102B	Inframe OH Set					
CTP3126102C	Cylinder Head Repl. Gasket Set					
CTP3126103A	Out of Frame OH Gasket Set		143-1129	3126	1WM08739-1WM26507	Turbocharged Single Head
CTP3126103B	Inframe OH Set		144-0026			
CTP3126103C	Cylinder Head Repl. Gasket Set		144-0050			
			144-0087			
CTP3126104A	Out of Frame OH Gasket Set		143-1140	3126	1WM08782-1WM26507	Turbocharged Single Head
CTP3126104B	Inframe OH Set		143-1141			
CTP3126104C	Cylinder Head Repl. Gasket Set		143-1154			
			143-9966			
CTP3126105A	Out of Frame OH Gasket Set		143-9965	3126	1WM09774-1WM26507	Turbocharged Single Head
CTP3126105B	Inframe OH Set					
CTP3126105C	Cylinder Head Repl. Gasket Set					
CTP3126106A	Out of Frame OH Gasket Set		144-0025	3126	1WM09482-1WM26507	Turbocharged Single Head
CTP3126106B	Inframe OH Set					
CTP3126106C	Cylinder Head Repl. Gasket Set					
CTP3126107A	Out of Frame OH Gasket Set		144-0029	3126	1WM09482-1WM26507	Turbocharged Single Head
CTP3126107B	Inframe OH Set					
CTP3126107C	Cylinder Head Repl. Gasket Set					

Part Number	Description	Machine Model / Application	Engine Arrangement	Engine Model	Engine Serial No.	Comments
CTP3126108A	Out of Frame OH Gasket Set		144-0032	3126	1WM09482-1WM26507	Turbocharged Single Head
CTP3126108B	Inframe OH Set					
CTP3126108C	Cylinder Head Repl. Gasket Set					
CTP3126109A	Out of Frame OH Gasket Set		144-0033	3126	1WM09482-1WM26507	Turbocharged Single Head
CTP3126109B	Inframe OH Set					
CTP3126109C	Cylinder Head Repl. Gasket Set					
CTP3126110A	Out of Frame OH Gasket Set		144-0039	3126	1WM09273-1WM26507	Turbocharged Single Head
CTP3126110B	Inframe OH Set					
CTP3126110C	Cylinder Head Repl. Gasket Set					
CTP3126111A	Out of Frame OH Gasket Set		144-0042	3126	1WM09273-1WM26507	Turbocharged Single Head
CTP3126111B	Inframe OH Set		144-5775			
CTP3126111C	Cylinder Head Repl. Gasket Set					
CTP3126112A	Out of Frame OH Gasket Set		144-0088	3126	1WM09482-1WM26507	Turbocharged Single Head
CTP3126112B	Inframe OH Set		144-0089			
			144-5786			
CTP3126112C	Cylinder Head Repl. Gasket Set		144-5787			
CTP3126113A	Out of Frame OH Gasket Set		144-5764	3126	1WM10866-1WM26507	Turbocharged Single Head
CTP3126113B	Inframe OH Set					
CTP3126113C	Cylinder Head Repl. Gasket Set					
CTP3126114A	Out of Frame OH Gasket Set		144-5765	3126	1WM10866-1WM26507	Turbocharged Single Head
CTP3126114B	Inframe OH Set		144-5798			
			144-5837			
CTP3126114C	Cylinder Head Repl. Gasket Set		145-1933			

Part Number	Description	Machine Model / Application	Engine Arrangement	Engine Model	Engine Serial No.	Comments
CTP3126115A	Out of Frame OH Gasket Set		144-5788	3126	1WM09906-1WM26507	Turbocharged Single Head
CTP3126115B	Inframe OH Set		144-5796		1WM10197-1WM26507	
CTP3126115C	Cylinder Head Repl. Gasket Set		144-5856		1WM10038-1WM26507	
			145-1945		1WM10458-1WM26507	
CTP3126116A	Out of Frame OH Gasket Set		144-5862	3126	1WM10138-1WM26507	Turbocharged Single Head
CTP3126116B	Inframe OH Set		146-8723		1WM13093-1WM26507	
CTP3126116C	Cylinder Head Repl. Gasket Set					
CTP3126117A	Out of Frame OH Gasket Set		144-5866	3126	1WM10138-1WM26507	Turbocharged Single Head
CTP3126117B	Inframe OH Set		144-5867		1WM10138-1WM26507	
CTP3126117C	Cylinder Head Repl. Gasket Set					
CTP3126118A	Out of Frame OH Gasket Set		144-5886	3126	1WM10765-1WM26507	Turbocharged Single Head
CTP3126118B	Inframe OH Set					
CTP3126118C	Cylinder Head Repl. Gasket Set					
CTP3126119A	Out of Frame OH Gasket Set		144-5900	3126	1WM10306-1WM26507	Turbocharged Single Head
CTP3126119B	Inframe OH Set					
CTP3126119C	Cylinder Head Repl. Gasket Set					
CTP3126120A	Out of Frame OH Gasket Set		145-1953	3126	1WM10776-1WM26507	Turbocharged Single Head
CTP3126120B	Inframe OH Set					
CTP3126120C	Cylinder Head Repl. Gasket Set					
CTP3126121A	Out of Frame OH Gasket Set		145-1960	3126	1WM11050-1WM26507	Turbocharged Single Head
CTP3126121B	Inframe OH Set		145-1971		1WM11054-1WM26507	
CTP3126121C	Cylinder Head Repl. Gasket Set					
CTP3126122A	Out of Frame OH Gasket Set		145-2008	3126	1WM11715-1WM26507	Turbocharged Single Head
CTP3126122B	Inframe OH Set					
CTP3126122C	Cylinder Head Repl. Gasket Set					

Part Number	Description	Machine Model / Application	Engine Arrangement	Engine Model	Engine Serial No.	Comments
CTP3126123A	Out of Frame OH Gasket Set		145-2041	3126	1WM11716-1WM26507	Turbocharged Single Head
CTP3126123B	Inframe OH Set		146-8721		1WM13040-1WM26507	
CTP3126123C	Cylinder Head Repl. Gasket Set		147-7561		1WM00001-1WM26507	
CTP3126124A	Out of Frame OH Gasket Set		145-2079	3126	1WM11486-1WM26507	Turbocharged Single Head
CTP3126124B	Inframe OH Set					
CTP3126124C	Cylinder Head Repl. Gasket Set					
CTP3126125A	Out of Frame OH Gasket Set		145-2092	3126	1WM11425-1WM26507	Turbocharged Single Head
CTP3126125B	Inframe OH Set					
CTP3126125C	Cylinder Head Repl. Gasket Set					
CTP3126126A	Out of Frame OH Gasket Set		145-2140	3126	1WM11914-1WM26507	Turbocharged Single Head
CTP3126126B	Inframe OH Set					
CTP3126126C	Cylinder Head Repl. Gasket Set					
CTP3126127A	Out of Frame OH Gasket Set		145-2159	3126	1WM12066-1WM26507	Turbocharged Single Head
CTP3126127B	Inframe OH Set		146-8700		1WM12819-1WM26507	
CTP3126127C	Cylinder Head Repl. Gasket Set					
CTP3126128A	Out of Frame OH Gasket Set		145-2200	3126	1WM12486-1WM26507	Turbocharged Single Head
CTP3126128B	Inframe OH Set					
CTP3126128C	Cylinder Head Repl. Gasket Set					
CTP3126129A	Out of Frame OH Gasket Set		145-2201	3126	1WM12486-1WM26507	Turbocharged Single Head
CTP3126129B	Inframe OH Set		146-8593			
CTP3126129C	Cylinder Head Repl. Gasket Set		146-8632			
			146-8633			

Part Number	Description	Machine Model / Application	Engine Arrangement	Engine Model	Engine Serial No.	Comments
CTP3126130A	Out of Frame OH Gasket Set		146-8614	3126	1WM12818-1WM26507	Turbocharged Single Head
CTP3126130B	Inframe OH Set		146-8664			
			146-8665			
CTP3126130C	Cylinder Head Repl. Gasket Set		146-8666			
CTP3126131A	Out of Frame OH Gasket Set		146-8635	3126	1WM12818-1WM26507	Turbocharged Single Head
CTP3126131B	Inframe OH Set		147-6089		1WM00001-1WM26507	
CTP3126131C	Cylinder Head Repl. Gasket Set		147-6100			
CTP3126132A	Out of Frame OH Gasket Set		146-8667 146-8668	3126	1WM12819-1WM26507	Turbocharged Single Head
CTP3126132B	Inframe OH Set		146-8707 146-8708		1WM13040-1WM26507	
CTP3126132C	Cylinder Head Repl. Gasket Set					
CTP3126133A	Out of Frame OH Gasket Set		146-8709 146-8710 146-8711 146-8712	3126	1WM13040-1WM26507	Turbocharged Single Head
CTP3126133B	Inframe OH Set					
CTP3126133C	Cylinder Head Repl. Gasket Set					
CTP3126134A	Out of Frame OH Gasket Set		146-8713	3126	1WM13040-1WM26507	Turbocharged Single Head
CTP3126134B	Inframe OH Set		146-8748		1WM13093-1WM26507	
CTP3126134C	Cylinder Head Repl. Gasket Set		146-8770 146-8771		1WM00001-1WM26507	
CTP3126135A	Out of Frame OH Gasket Set		146-8749	3126	1WM13093-1WM26507	Turbocharged Single Head
CTP3126135B	Inframe OH Set					
CTP3126135C	Cylinder Head Repl. Gasket Set					

Part Number	Description	Machine Model / Application	Engine Arrangement	Engine Model	Engine Serial No.	Comments
CTP3126136A	Out of Frame OH Gasket Set		146-8769	3126	1WM13132-1WM26507	Turbocharged Single Head
CTP3126136B	Inframe OH Set					
CTP3126136C	Cylinder Head Repl. Gasket Set					
CTP3126137A	Out of Frame OH Gasket Set		147-7401	3126	1WM00001-1WM99999	Turbocharged Single Head
CTP3126137B	Inframe OH Set					
CTP3126137C	Cylinder Head Repl. Gasket Set					
CTP3126138A	Out of Frame OH Gasket Set		147-7442 147-7562 147-7590 147-7594	3126	1WM00001-1WM26507	Turbocharged Single Head
CTP3126138B	Inframe OH Set					
CTP3126138C	Cylinder Head Repl. Gasket Set					
CTP3126139A	Out of Frame OH Gasket Set		147-7578 148-8695 148-8696	3126	1WM00001-1WM26507	Turbocharged Single Head
CTP3126139B	Inframe OH Set					
CTP3126139C	Cylinder Head Repl. Gasket Set					
CTP3126140A	Out of Frame OH Gasket Set		147-7595 148-8616 148-8617 148-8697	3126	1WM00001-1WM26507	Turbocharged Single Head
CTP3126140B	Inframe OH Set					
CTP3126140C	Cylinder Head Repl. Gasket Set					
CTP3126141A	Out of Frame OH Gasket Set		148-8661 149-9034	3126	1WM00001-1WM26507	Turbocharged Single Head
CTP3126141B	Inframe OH Set					
CTP3126141C	Cylinder Head Repl. Gasket Set					
CTP3126142A	Out of Frame OH Gasket Set		148-8706	3126	1WM00001-1WM26507	Turbocharged Single Head
CTP3126142B	Inframe OH Set					
CTP3126142C	Cylinder Head Repl. Gasket Set					
CTP3126143A	Out of Frame OH Gasket Set		149-9044	3126	1WM00001-1WM26507	Turbocharged Single Head
CTP3126143B	Inframe OH Set					
CTP3126143C	Cylinder Head Repl. Gasket Set					

Part Number	Description	Machine Model / Application	Engine Arrangement	Engine Model	Engine Serial No.	Comments
CTP3126144A	Out of Frame OH Gasket Set		149-9061	3126	1WM00001-1WM26507	Turbocharged Single Head
CTP3126144B	Inframe OH Set					
CTP3126144C	Cylinder Head Repl. Gasket Set					
CTP3126145A	Out of Frame OH Gasket Set		149-9083	3126	1WM00001-1WM26507	Turbocharged Single Head
CTP3126145B	Inframe OH Set					
CTP3126145C	Cylinder Head Repl. Gasket Set					
CTP3126146A	Out of Frame OH Gasket Set		150-6141	3126	1WM00001-1WM26507	Turbocharged Single Head
CTP3126146B	Inframe OH Set					
CTP3126146C	Cylinder Head Repl. Gasket Set					
CTP3126147A	Out of Frame OH Gasket Set		151-2251	3126	1WM00001-1WM26507	Turbocharged Single Head
CTP3126147B	Inframe OH Set					
CTP3126147C	Cylinder Head Repl. Gasket Set					
CTP3126148A	Out of Frame OH Gasket Set		151-2341	3126	1WM00001-1WM99999	Turbocharged Single Head
CTP3126148B	Inframe OH Set					
CTP3126148C	Cylinder Head Repl. Gasket Set					
CTP3126149A	Out of Frame OH Gasket Set		152-3163	3126	1WM00001-1WM26507	Turbocharged Single Head
CTP3126149B	Inframe OH Set					
CTP3126149C	Cylinder Head Repl. Gasket Set					
CTP3126150A	Out of Frame OH Gasket Set		152-3331	3126	1WM00001-1WM99999	Turbocharged Single Head
CTP3126150B	Inframe OH Set					
CTP3126150C	Cylinder Head Repl. Gasket Set					
CTP3126151A	Out of Frame OH Gasket Set		152-3344 152-3345 153-5864	3126	1WM00001-1WM26507	Turbocharged Single Head
CTP3126151B	Inframe OH Set					
CTP3126151C	Cylinder Head Repl. Gasket Set					

Part Number	Description	Machine Model / Application	Engine Arrangement	Engine Model	Engine Serial No.	Comments
CTP3126152A	Out of Frame OH Gasket Set		137-5454	3126	4ES00265-4ES99999	Turbocharged Single Head
CTP3126152B	Inframe OH Set					
CTP3126152C	Cylinder Head Repl. Gasket Set					
CTP3126153A	Out of Frame OH Gasket Set		137-5458	3126	4ES00265-4ES99999	Turbocharged Single Head
CTP3126153B	Inframe OH Set					
CTP3126153C	Cylinder Head Repl. Gasket Set		137-5459			
CTP3126154A	Out of Frame OH Gasket Set		151-7122	3126	6PZ00001-6PZ99999	Turbocharged Single Head
CTP3126154B	Inframe OH Set					
CTP3126154C	Cylinder Head Repl. Gasket Set					
CTP3126155A	Out of Frame OH Gasket Set		151-7123	3126	7JZ00001-7JZ99999	Turbocharged Single Head
CTP3126155B	Inframe OH Set					
CTP3126155C	Cylinder Head Repl. Gasket Set					
CTP3126156A	Out of Frame OH Gasket Set		237-4837	3126	7JZ00001-7JZ99999	Turbocharged Single Head
CTP3126156B	Inframe OH Set					
CTP3126156C	Cylinder Head Repl. Gasket Set					
CTP3126157A	Out of Frame OH Gasket Set		156-2278 156-2287 156-2439	3126	7LZ00001-7LZ99999	Turbocharged Single Head
CTP3126157B	Inframe OH Set					
CTP3126157C	Cylinder Head Repl. Gasket Set					
CTP3126158A	Out of Frame OH Gasket Set		156-2280 156-2281 156-2282 156-2285 156-2441	3126	7LZ00001-7LZ99999	Turbocharged Single Head
CTP3126158B	Inframe OH Set					
CTP3126158C	Cylinder Head Repl. Gasket Set					
CTP3126159A	Out of Frame OH Gasket Set		156-2440		7LZ00299-7LZ99999	

Part Number	Description	Machine Model / Application	Engine Arrangement	Engine Model	Engine Serial No.	Comments
CTP3126160A	Out of Frame OH Gasket Set		156-1957	3126	8HW0001-8HW99999	Turbocharged Single Head
CTP3126160B	Inframe OH Set					
CTP3126160C	Cylinder Head Repl. Gasket Set					
CTP3126161A	Out of Frame OH Gasket Set		156-1958	3126	8HW0001-8HW99999	Turbocharged Single Head
CTP3126161B	Inframe OH Set					
CTP3126161C	Cylinder Head Repl. Gasket Set					
CTP3126162A	Out of Frame OH Gasket Set		156-1959	3126	8HW0001-8HW99999	Turbocharged Single Head
CTP3126162B	Inframe OH Set					
CTP3126162C	Cylinder Head Repl. Gasket Set					
CTP3126163A	Out of Frame OH Gasket Set		164-8709	3126	8HW0001-8HW99999	Turbocharged Single Head
CTP3126163B	Inframe OH Set					
CTP3126163C	Cylinder Head Repl. Gasket Set					
CTP3126164A	Out of Frame OH Gasket Set		164-8710	3126	8HW0001-8HW99999	Turbocharged Single Head
CTP3126164B	Inframe OH Set					
CTP3126164C	Cylinder Head Repl. Gasket Set					
CTP3126165A	Out of Frame OH Gasket Set		179-4052	3126	8SZ0001-8SZ99999	Turbocharged Single Head
CTP3126165B	Inframe OH Set					
CTP3126165C	Cylinder Head Repl. Gasket Set					
CTP3126166A	Out of Frame OH Gasket Set		172-9164	3126	5GL0001-5GL99999	Turbocharged Single Head
CTP3126166B	Inframe OH Set		172-9198			
CTP3126166C	Cylinder Head Repl. Gasket Set					
CTP3126167A	Out of Frame OH Gasket Set		143-3322	3126	7AS00001-7AS99999	Turbocharged Single Head
CTP3126167B	Inframe OH Set					
CTP3126167C	Cylinder Head Repl. Gasket Set					

Part Number	Description	Machine Model / Application	Engine Arrangement	Engine Model	Engine Serial No.	Comments
CTP3126168A	Out of Frame OH Gasket Set		146-8758 146-8763	3126	7AS00001-7AS99999	Turbocharged Single Head
CTP3126168B	Inframe OH Set		146-8767			
CTP3126168C	Cylinder Head Repl. Gasket Set		153-5825			
CTP3126169A	Out of Frame OH Gasket Set		146-8759	3126	7AS00001-7AS99999	Turbocharged Single Head
CTP3126169B	Inframe OH Set		146-8761		7AS00001-7AS26507	
CTP3126169C	Cylinder Head Repl. Gasket Set		146-8762 146-8766		7AS00001-7AS99999	
CTP3126170A	Out of Frame OH Gasket Set		146-8768 148-8756	3126	7AS00001-7AS99999	Turbocharged Single Head
CTP3126170B	Inframe OH Set		153-5823			
CTP3126170C	Cylinder Head Repl. Gasket Set					
CTP3126171A	Out of Frame OH Gasket Set		147-6081	3126	7AS00001-7AS00580	Turbocharged Single Head
CTP3126171B	Inframe OH Set		147-7440		7AS00001-7AS00517	
CTP3126171C	Cylinder Head Repl. Gasket Set					
CTP3126172A	Out of Frame OH Gasket Set		149-9013	3126	7AS00001-7AS99999	Turbocharged Single Head
CTP3126172B	Inframe OH Set					
CTP3126172C	Cylinder Head Repl. Gasket Set					
CTP3126173A	Out of Frame OH Gasket Set		150-6053 152-9921 152-9924	3126	7AS00001-7AS99999	Turbocharged Single Head
CTP3126173B	Inframe OH Set		154-1054			
CTP3126173C	Cylinder Head Repl. Gasket Set					
CTP3126174A	Out of Frame OH Gasket Set		150-6067 152-9925	3126	7AS00001-7AS99999	Turbocharged Single Head
CTP3126174B	Inframe OH Set		154-1047			
CTP3126174C	Cylinder Head Repl. Gasket Set		154-1059			
CTP3126175A	Out of Frame OH Gasket Set		150-6088	3126	7AS00001-7AS99999	Turbocharged Single Head
CTP3126175B	Inframe OH Set					
CTP3126175C	Cylinder Head Repl. Gasket Set					

Part Number	Description	Machine Model / Application	Engine Arrangement	Engine Model	Engine Serial No.	Comments
CTP3126176A	Out of Frame OH Gasket Set		152-9930 166-9731	3126	7AS00001-7AS99999	Turbocharged Single Head
CTP3126176B	Inframe OH Set					
CTP3126176C	Cylinder Head Repl. Gasket Set					
CTP3126177A	Out of Frame OH Gasket Set		153-5818 153-5894	3126	7AS00001-7AS99999	Turbocharged Single Head
CTP3126177B	Inframe OH Set					
CTP3126177C	Cylinder Head Repl. Gasket Set					
CTP3126178A	Out of Frame OH Gasket Set		153-5824 153-5828 153-5829 153-5830	3126	7AS00001-7AS99999	Turbocharged Single Head
CTP3126178B	Inframe OH Set					
CTP3126178C	Cylinder Head Repl. Gasket Set					
CTP3126179A	Out of Frame OH Gasket Set		153-5826	3126	7AS00001-7AS99999	Turbocharged Single Head
CTP3126179B	Inframe OH Set					
CTP3126179C	Cylinder Head Repl. Gasket Set					
CTP3126180A	Out of Frame OH Gasket Set		153-5860	3126	7AS00001-7AS99999	Turbocharged Single Head
CTP3126180B	Inframe OH Set					
CTP3126180C	Cylinder Head Repl. Gasket Set		154-1033			
CTP3126181A	Out of Frame OH Gasket Set		153-5897	3126	7AS00001-7AS99999	Turbocharged Single Head
CTP3126181B	Inframe OH Set					
CTP3126181C	Cylinder Head Repl. Gasket Set					
CTP3126182A	Out of Frame OH Gasket Set		154-1053 154-1058 154-1062 154-1075	3126	7AS00001-7AS99999	Turbocharged Single Head
CTP3126182B	Inframe OH Set					
CTP3126182C	Cylinder Head Repl. Gasket Set					
CTP3126183A	Out of Frame OH Gasket Set		154-1055 154-1077 154-1078	3126	7AS00001-7AS99999	Turbocharged Single Head
CTP3126183B	Inframe OH Set					
CTP3126183C	Cylinder Head Repl. Gasket Set					

Part Number	Description	Machine Model / Application	Engine Arrangement	Engine Model	Engine Serial No.	Comments
CTP3126184A	Out of Frame OH Gasket Set		154-1056	3126	7AS00001-7AS99999	Turbocharged Single Head
CTP3126184C	Cylinder Head Repl. Gasket Set					
CTP3126185A	Out of Frame OH Gasket Set		154-1057	3126	7AS00001-7AS99999	Turbocharged Single Head
CTP3126185C	Cylinder Head Repl. Gasket Set					
CTP3126186A	Out of Frame OH Gasket Set		154-1060 154-1061 154-1176 154-1182	3126	7AS00001-7AS99999	Turbocharged Single Head
CTP3126186B	Inframe OH Set					
CTP3126186C	Cylinder Head Repl. Gasket Set					
CTP3126187A	Out of Frame OH Gasket Set		154-1063	3126	7AS00001-7AS99999	Turbocharged Single Head
CTP3126187B	Inframe OH Set					
CTP3126187C	Cylinder Head Repl. Gasket Set					
CTP3126188A	Out of Frame OH Gasket Set		154-1064 154-1086 156-2042	3126	7AS00001-7AS99999	Turbocharged Single Head
CTP3126188B	Inframe OH Set					
CTP3126188C	Cylinder Head Repl. Gasket Set					
CTP3126189A	Out of Frame OH Gasket Set		154-1065 154-1066 154-1067	3126	7AS00001-7AS99999	Turbocharged Single Head
CTP3126189B	Inframe OH Set					
CTP3126189C	Cylinder Head Repl. Gasket Set					
CTP3126190A	Out of Frame OH Gasket Set		154-1076	3126	7AS00001-7AS99999	Turbocharged Single Head
CTP3126190B	Inframe OH Set					
CTP3126190C	Cylinder Head Repl. Gasket Set					
CTP3126191A	Out of Frame OH Gasket Set		154-1079 154-1080 154-1081 154-1097	3126	7AS00001-7AS99999	Turbocharged Single Head
CTP3126191B	Inframe OH Set					
CTP3126191C	Cylinder Head Repl. Gasket Set					

Part Number	Description	Machine Model / Application	Engine Arrangement	Engine Model	Engine Serial No.	Comments
CTP3126192A	Out of Frame OH Gasket Set		154-1082	3126	7AS00001-7AS99999	Turbocharged Single Head
CTP3129192B	Inframe OH Set					
CTP3126192C	Cylinder Head Repl. Gasket Set					
CTP3126193A	Out of Frame OH Gasket Set		154-1085	3126	7AS00001-7AS99999	Turbocharged Single Head
CTP3126193B	Inframe OH Set					
CTP3129193C	Cylinder Head Repl. Gasket Set					
CTP3126194A	Out of Frame OH Gasket Set		154-1089 160-3382 173-6236	3126	7AS00001-7AS99999	Turbocharged Single Head
CTP3126194B	Inframe OH Set					
CTP3126194C	Cylinder Head Repl. Gasket Set					
CTP3126195A	Out of Frame OH Gasket Set		154-1093	3126	7AS00001-7AS99999	Turbocharged Single Head
CTP3126195B	Inframe OH Set					
CTP3126195C	Cylinder Head Repl. Gasket Set					
CTP3126196A	Out of Frame OH Gasket Set		154-1094 154-1095	3126	7AS00001-7AS99999	Turbocharged Single Head
CTP3126196B	Inframe OH Set					
CTP3126196C	Cylinder Head Repl. Gasket Set					
CTP3126197A	Out of Frame OH Gasket Set		154-1096 154-1106 154-1108	3126	7AS00001-7AS99999	Turbocharged Single Head
CTP3126197B	Inframe OH Set					
CTP3126197C	Cylinder Head Repl. Gasket Set					
CTP3126198A	Out of Frame OH Gasket Set		154-1098 154-1099 154-1152	3126	7AS00001-7AS99999	Turbocharged Single Head
CTP3126198B	Inframe OH Set					
CTP3126198C	Cylinder Head Repl. Gasket Set					
CTP3126199A	Out of Frame OH Gasket Set		154-1100 154-1102 154-1111	3126	7AS00001-7AS99999	Turbocharged Single Head
CTP3126199B	Inframe OH Set					
CTP3126199C	Cylinder Head Repl. Gasket Set					

Part Number	Description	Machine Model / Application	Engine Arrangement	Engine Model	Engine Serial No.	Comments
CTP3126200A	Out of Frame OH Gasket Set		154-1101 154-1104 154-1109 154-1110	3126	7AS00001-7AS99999	Turbocharged Single Head
CTP3126200B	Inframe OH Set					
CTP3126200C	Cylinder Head Repl. Gasket Set					
CTP3126201A	Out of Frame OH Gasket Set		155-3294 156-2043 156-2045 156-2312	3126	7AS00001-7AS99999	Turbocharged Single Head
CTP3126201B	Inframe OH Set					
CTP3126201C	Cylinder Head Repl. Gasket Set					
CTP3126202A	Out of Frame OH Gasket Set		155-3346 155-3350 155-3360 166-9471	3126	7AS00001-7AS99999	Turbocharged Single Head
CTP3126202B	Inframe OH Set					
CTP3126202C	Cylinder Head Repl. Gasket Set					
CTP3126203A	Out of Frame OH Gasket Set		155-3347 155-3351 155-3359 155-3455	3126	7AS00001-7AS99999	Turbocharged Single Head
CTP3126203B	Inframe OH Set					
CTP3126203C	Cylinder Head Repl. Gasket Set					
CTP3126204A	Out of Frame OH Gasket Set		155-3404 166-9470	3126	7AS00001-7AS99999	Turbocharged Single Head
CTP3126204B	Inframe OH Set					
CTP3126204C	Cylinder Head Repl. Gasket Set					
CTP3126205A	Out of Frame OH Gasket Set		156-2291 156-2305 156-2451 156-2452	3126	7AS00001-7AS99999	Turbocharged Single Head
CTP3126205B	Inframe OH Set					
CTP3126205C	Cylinder Head Repl. Gasket Set					
CTP3126206A	Out of Frame OH Gasket Set		156-2293 156-2299 156-2303 156-2360	3126	7AS00001-7AS99999	Turbocharged Single Head
CTP3126206B	Inframe OH Set					
CTP3126206C	Cylinder Head Repl. Gasket Set					
CTP3126207A	Out of Frame OH Gasket Set		156-2295	3126	7AS00001-7AS99999	Turbocharged Single Head
CTP3126207B	Inframe OH Set					
CTP3126207C	Cylinder Head Repl. Gasket Set					

Part Number	Description	Machine Model / Application	Engine Arrangement	Engine Model	Engine Serial No.	Comments
CTP3126208A	Out of Frame OH Gasket Set		156-2296	3126	7AS00001-7AS99999	Turbocharged Single Head
CTP3126208B	Inframe OH Set					
CTP3126208C	Cylinder Head Repl. Gasket Set					
CTP3126209A	Out of Frame OH Gasket Set		156-2298	3126	7AS00001-7AS99999	Turbocharged Single Head
CTP3126209B	Inframe OH Set					
CTP3126209C	Cylinder Head Repl. Gasket Set					
CTP3126210A	Out of Frame OH Gasket Set		156-2311 156-2313 158-5485 169-9267	3126	7AS00001-7AS99999	Turbocharged Single Head
CTP3126210B	Inframe OH Set					
CTP3126210C	Cylinder Head Repl. Gasket Set					
CTP3126211A	Out of Frame OH Gasket Set		156-2355 156-2454 156-2456 156-2458	3126	7AS00001-7AS99999	Turbocharged Single Head
CTP3126211B	Inframe OH Set					
CTP3126211C	Cylinder Head Repl. Gasket Set					
CTP3126212A	Out of Frame OH Gasket Set		156-2459 157-5395 166-9736	3126	7AS00001-7AS99999	Turbocharged Single Head
CTP3126212B	Inframe OH Set					
CTP3126212C	Cylinder Head Repl. Gasket Set					
CTP3126213A	Out of Frame OH Gasket Set		157-5394	3126	7AS00001-7AS99999	Turbocharged Single Head
CTP3126213B	Inframe OH Set					
CTP3126213C	Cylinder Head Repl. Gasket Set					
CTP3126214A	Out of Frame OH Gasket Set		157-5397 157-5427 157-5456 157-5471	3126	7AS00001-7AS99999	Turbocharged Single Head
CTP3126214B	Inframe OH Set					
CTP3126214C	Cylinder Head Repl. Gasket Set					
CTP3126215A	Out of Frame OH Gasket Set		157-5398 158-5245 158-5532 158-5533	3126	7AS00001-7AS99999	Turbocharged Single Head
CTP3126215B	Inframe OH Set					
CTP3126215C	Cylinder Head Repl. Gasket Set					

Part Number	Description	Machine Model / Application	Engine Arrangement	Engine Model	Engine Serial No.	Comments
CTP3126216A	Out of Frame OH Gasket Set		157-5410 157-5412 158-5403 164-8687	3126	7AS00001-7AS99999	Turbocharged Single Head
CTP3126216B	Inframe OH Set					
CTP3126216C	Cylinder Head Repl. Gasket Set					
CTP3126217A	Out of Frame OH Gasket Set		157-5428	3126	7AS00001-7AS99999	Turbocharged Single Head
CTP3126217B	Inframe OH Set					
CTP3126217C	Cylinder Head Repl. Gasket Set					
CTP3126218A	Out of Frame OH Gasket Set		157-5472 157-5491 158-5154 158-5155	3126	7AS00001-7AS99999	Turbocharged Single Head
CTP3126218B	Inframe OH Set					
CTP3126218C	Cylinder Head Repl. Gasket Set					
CTP3126219A	Out of Frame OH Gasket Set		158-5184 158-5188 158-5386 158-5400	3126	7AS00001-7AS99999	Turbocharged Single Head
CTP3126219B	Inframe OH Set					
CTP3126219C	Cylinder Head Repl. Gasket Set					
CTP3126220A	Out of Frame OH Gasket Set		158-5229	3126	7AS00001-7AS99999	Turbocharged Single Head
CTP3126220B	Inframe OH Set					
CTP3126220C	Cylinder Head Repl. Gasket Set					
CTP3126221A	Out of Frame OH Gasket Set		158-5252 164-8892 164-8894 164-8895	3126	7AS00001-7AS99999	Turbocharged Single Head
CTP3126221B	Inframe OH Set					
CTP3126221C	Cylinder Head Repl. Gasket Set					
CTP3126222A	Out of Frame OH Gasket Set		158-5293 158-5527	3126	7AS00001-7AS99999	Turbocharged Single Head
CTP3126222B	Inframe OH Set					
CTP3126222C	Cylinder Head Repl. Gasket Set					
CTP3126223A	Out of Frame OH Gasket Set		158-5525	3126	7AS00001-7AS99999	Turbocharged Single Head
CTP3126223B	Inframe OH Set					
CTP3126223C	Cylinder Head Repl. Gasket Set					

Part Number	Description	Machine Model / Application	Engine Arrangement	Engine Model	Engine Serial No.	Comments
CTP3126224A	Out of Frame OH Gasket Set		158-5527 158-5530 158-5531 158-5534	3126	7AS00001-7AS99999	Turbocharged Single Head
CTP3126224B	Inframe OH Set					
CTP3126224C	Cylinder Head Repl. Gasket Set					
CTP3126225A	Out of Frame OH Gasket Set		158-5529	3126	7AS00001-7AS99999	Turbocharged Single Head
CTP3126225B	Inframe OH Set					
CTP3126225C	Cylinder Head Repl. Gasket Set					
CTP3126226A	Out of Frame OH Gasket Set		158-5535 158-5536 158-5538 160-2764	3126	7AS00001-7AS99999	Turbocharged Single Head
CTP3126226B	Inframe OH Set					
CTP3126226C	Cylinder Head Repl. Gasket Set					
CTP3126227A	Out of Frame OH Gasket Set		158-5554 160-2801 160-3106 160-3252	3126	7AS00001-7AS99999	Turbocharged Single Head
CTP3126227B	Inframe OH Set					
CTP3126227C	Cylinder Head Repl. Gasket Set					
CTP3126228A	Out of Frame OH Gasket Set		160-2800 160-2803 160-2804 160-2839	3126	7AS00001-7AS99999	Turbocharged Single Head
CTP3126228B	Inframe OH Set					
CTP3126228C	Cylinder Head Repl. Gasket Set					
CTP3126229A	Out of Frame OH Gasket Set		160-2868 160-2884 160-2921 160-2956	3126	7AS00001-7AS99999	Turbocharged Single Head
CTP3126229B	Inframe OH Set					
CTP3126229C	Cylinder Head Repl. Gasket Set					
CTP3126230A	Out of Frame OH Gasket Set		160-3034 160-3263 160-3339 160-3402	3126	7AS00001-7AS99999	Turbocharged Single Head
CTP3126230B	Inframe OH Set					
CTP3126230C	Cylinder Head Repl. Gasket Set					
CTP3126231A	Out of Frame OH Gasket Set		160-3357 164-8703 166-9652 166-9841	3126	7AS00001-7AS99999	Turbocharged Single Head
CTP3126231B	Inframe OH Set					
CTP3126231C	Cylinder Head Repl. Gasket Set					

Part Number	Description	Machine Model / Application	Engine Arrangement	Engine Model	Engine Serial No.	Comments
CTP3126232A	Out of Frame OH Gasket Set		160-3403 160-3453 164-1810 164-1899	3126	7AS00001-7AS99999	Turbocharged Single Head
CTP3126232B	Inframe OH Set					
CTP3126232C	Cylinder Head Repl. Gasket Set					
CTP3126233A	Out of Frame OH Gasket Set		164-1877	3126	7AS00001-7AS99999	Turbocharged Single Head
CTP3126233B	Inframe OH Set					
CTP3126233C	Cylinder Head Repl. Gasket Set					
CTP3126234A	Out of Frame OH Gasket Set		164-1890	3126	7AS00001-7AS99999	Turbocharged Single Head
CTP3126234B	Inframe OH Set					
CTP3126234C	Cylinder Head Repl. Gasket Set					
CTP3126235A	Out of Frame OH Gasket Set		164-1893 166-9546	3126	7AS00001-7AS99999	Turbocharged Single Head
CTP3126235B	Inframe OH Set					
CTP3126235C	Cylinder Head Repl. Gasket Set					
CTP3126236A	Out of Frame OH Gasket Set		164-8631 164-8810 166-9548 166-9835	3126	7AS00001-7AS99999	Turbocharged Single Head
CTP3126236B	Inframe OH Set					
CTP3126236C	Cylinder Head Repl. Gasket Set					
CTP3126237A	Out of Frame OH Gasket Set		164-8688 164-8759 164-8808 166-9550	3126	7AS00001-7AS99999	Turbocharged Single Head
CTP3126237B	Inframe OH Set					
CTP3126237C	Cylinder Head Repl. Gasket Set					
CTP3126238A	Out of Frame OH Gasket Set		164-8896 164-8897 164-8898 164-8899	3126	7AS00001-7AS99999	Turbocharged Single Head
CTP3126238B	Inframe OH Set					
CTP3126238C	Cylinder Head Repl. Gasket Set					
CTP3126239A	Out of Frame OH Gasket Set		166-9456 166-9457 166-9461 166-9462	3126	7AS00001-7AS99999	Turbocharged Single Head
CTP3126239B	Inframe OH Set					
CTP3126239C	Cylinder Head Repl. Gasket Set					

Part Number	Description	Machine Model / Application	Engine Arrangement	Engine Model	Engine Serial No.	Comments
CTP3126240A	Out of Frame OH Gasket Set		166-9464 166-9467 166-9468 166-9469	3126	7AS00001-7AS99999	Turbocharged Single Head
CTP3126240B	Inframe OH Set					
CTP3126240C	Cylinder Head Repl. Gasket Set					
CTP3126241A	Out of Frame OH Gasket Set		166-9466	3126	7AS00001-7AS99999	Turbocharged Single Head
CTP3126241B	Inframe OH Set					
CTP3126241C	Cylinder Head Repl. Gasket Set					
CTP3126242A	Out of Frame OH Gasket Set		166-9472 166-9973 166-9474 166-9481	3126	7AS00001-7AS99999	Turbocharged Single Head
CTP3126242B	Inframe OH Set					
CTP3126242C	Cylinder Head Repl. Gasket Set					
CTP3126344A	Out of Frame OH Gasket Set		178-1577 178-1578 178-1582 178-1583	3126	8YL00001-8YL99999	Turbocharged Single Head
CTP3126344C	Cylinder Head Repl. Gasket Set					
CTP3126345A	Out of Frame OH Gasket Set		178-1591 179-0904 179-0974 179-0982	3126	8YL00001-8YL99999	Turbocharged Single Head
CTP3126345B	Inframe OH Set					
CTP3126345C	Cylinder Head Repl. Gasket Set					
CTP3126346A	Out of Frame OH Gasket Set		179-0963 179-0969	3126	8YL00001-8YL99999	Turbocharged Single Head
CTP3126346B	Inframe OH Set					
CTP3126346C	Cylinder Head Repl. Gasket Set					
CTP3126347A	Out of Frame OH Gasket Set		179-0983 179-0987 179-1011 179-1050	3126	8YL00001-8YL99999	Turbocharged Single Head
CTP3126347B	Inframe OH Set					
CTP3126347C	Cylinder Head Repl. Gasket Set					
CTP3126348A	Out of Frame OH Gasket Set		179-1048 179-1052 184-2797 184-2798 184-2898	3126	8YL00001-8YL99999	Turbocharged Single Head
CTP3126348B	Inframe OH Set					
CTP3126348C	Cylinder Head Repl. Gasket Set					

Part Number	Description	Machine Model / Application	Engine Arrangement	Engine Model	Engine Serial No.	Comments
CTP3126349A	Out of Frame OH Gasket Set		179-1053 179-1067 179-1069 179-1097 179-1112	3126	8YL00001-8YL99999	Turbocharged Single Head
CTP3126349B	Inframe OH Set					
CTP3126349C	Cylinder Head Repl. Gasket Set					
CTP3126350A	Out of Frame OH Gasket Set		179-1085 179-1139 179-1154 179-1191 180-2099	3126	8YL00001-8YL99999	Turbocharged Single Head
CTP3126350B	Inframe OH Set					
CTP3126350C	Cylinder Head Repl. Gasket Set					
CTP3126351A	Out of Frame OH Gasket Set		179-1130 179-1152 179-1157 179-3795 189-9699	3126	8YL00001-8YL99999	Turbocharged Single Head
CTP3126351B	Inframe OH Set					
CTP3126351C	Cylinder Head Repl. Gasket Set					
CTP3126352A	Out of Frame OH Gasket Set		179-1153 188-6673 191-4045 197-1002 197-1003	3126	8YL00001-8YL99999	Turbocharged Single Head
CTP3126352B	Inframe OH Set					
CTP3126352C	Cylinder Head Repl. Gasket Set					
CTP3126353A	Out of Frame OH Gasket Set		179-1193 179-1194 179-1195 179-3868 179-3915	3126	8YL00001-8YL99999	Turbocharged Single Head
CTP3126353B	Inframe OH Set					
CTP3126353C	Cylinder Head Repl. Gasket Set					
CTP3126354A	Out of Frame OH Gasket Set		179-3888	3126	8YL00001-8YL99999	Turbocharged Single Head
CTP3126354B	Inframe OH Set					
CTP3126354C	Cylinder Head Repl. Gasket Set					
CTP3126355A	Out of Frame OH Gasket Set		179-3896	3126	8YL00001-8YL99999	Turbocharged Single Head
CTP3126355C	Cylinder Head Repl. Gasket Set					
CTP3126356A	Out of Frame OH Gasket Set		179-3897	3126	8YL00001-8YL99999	Turbocharged Single Head
CTP3126356C	Cylinder Head Repl. Gasket Set					

Part Number	Description	Machine Model / Application	Engine Arrangement	Engine Model	Engine Serial No.	Comments
CTP3126357A	Out of Frame OH Gasket Set		179-3909	3126	8YL00001-8YL99999	Turbocharged Single Head
CTP3126357B	Inframe OH Set					
CTP3126357C	Cylinder Head Repl. Gasket Set					
CTP3126358A	Out of Frame OH Gasket Set		179-3913	3126	8YL00001-8YL99999	Turbocharged Single Head
CTP3126358C	Cylinder Head Repl. Gasket Set					
CTP3126359A	Out of Frame OH Gasket Set		179-3924 179-3925	3126	8YL00001-8YL99999	Turbocharged Single Head
CTP3126359C	Cylinder Head Repl. Gasket Set					
CTP3126360A	Out of Frame OH Gasket Set		179-3976 185-4825 185-4828 185-4832	3126	8YL00001-8YL99999	Turbocharged Single Head
CTP3126360B	Inframe OH Set					
CTP3126360C	Cylinder Head Repl. Gasket Set					
CTP3126361A	Out of Frame OH Gasket Set		179-4036 185-5025 185-5040 186-1758 186-1831	3126	8YL00001-8YL99999	Turbocharged Single Head
CTP3126361B	Inframe OH Set					
CTP3126361C	Cylinder Head Repl. Gasket Set					
CTP3126362A	Out of Frame OH Gasket Set		180-1755	3126	8YL00001-8YL99999	Turbocharged Single Head
CTP3126362B	Inframe OH Set					
CTP3126362C	Cylinder Head Repl. Gasket Set					
CTP3126363A	Out of Frame OH Gasket Set		180-1865	3126	8YL00001-8YL99999	Turbocharged Single Head
CTP3126363B	Inframe OH Set					
CTP3126363C	Cylinder Head Repl. Gasket Set					
CTP3126364A	Out of Frame OH Gasket Set		180-2262	3126	8YL00001-8YL99999	Turbocharged Single Head
CTP3126364B	Inframe OH Set					
CTP3126364C	Cylinder Head Repl. Gasket Set					

Part Number	Description	Machine Model / Application	Engine Arrangement	Engine Model	Engine Serial No.	Comments
CTP3126365A	Out of Frame OH Gasket Set		184-2799 185-4823 185-4826 185-4843 185-4844	3126	8YL00001-8YL99999	Turbocharged Single Head
CTP3126365B	Inframe OH Set					
CTP3126365C	Cylinder Head Repl. Gasket Set					
CTP3126366A	Out of Frame OH Gasket Set		184-2800 187-0043	3126	8YL00001-8YL99999	Turbocharged Single Head
CTP3126366B	Inframe OH Set					
CTP3126366C	Cylinder Head Repl. Gasket Set					
CTP3126367A	Out of Frame OH Gasket Set		184-2905 184-2906 185-4842 185-4861 185-5059	3126	8YL00001-8YL99999	Turbocharged Single Head
CTP3126367B	Inframe OH Set					
CTP3126367C	Cylinder Head Repl. Gasket Set					
CTP3126368A	Out of Frame OH Gasket Set		185-4822 185-4830 185-4834 185-4858	3126	8YL00001-8YL99999	Turbocharged Single Head
CTP3126368C	Cylinder Head Repl. Gasket Set					
CTP3126369A	Out of Frame OH Gasket Set		185-4827 185-4831 185-4841 185-4845 185-4855	3126	8YL00001-8YL99999	Turbocharged Single Head
CTP3126369C	Cylinder Head Repl. Gasket Set					
CTP3126370A	Out of Frame OH Gasket Set		185-4846 185-4847 185-4852 185-4854 185-4856	3126	8YL00001-8YL99999	Turbocharged Single Head
CTP3126370B	Inframe OH Set					
CTP3126370C	Cylinder Head Repl. Gasket Set					
CTP3126371A	Out of Frame OH Gasket Set		185-4851 185-4853	3126	8YL00001-8YL99999	Turbocharged Single Head
CTP3126371C	Cylinder Head Repl. Gasket Set					
CTP3126372A	Out of Frame OH Gasket Set		185-4860	3126	8YL00001-8YL99999	Turbocharged Single Head
CTP3126372B	Inframe OH Set					
CTP3126372C	Cylinder Head Repl. Gasket Set					

Part Number	Description	Machine Model / Application	Engine Arrangement	Engine Model	Engine Serial No.	Comments
CTP3126373A	Out of Frame OH Gasket Set		185-4862 185-4864 187-0395 187-7977 188-6657	3126	8YL00001-8YL99999	Turbocharged Single Head
CTP3126373B	Inframe OH Set					
CTP3126373C	Cylinder Head Repl. Gasket Set					
CTP3126374A	Out of Frame OH Gasket Set		185-5021 185-5022 185-5024	3126	8YL00001-8YL99999	Turbocharged Single Head
CTP3126374B	Inframe OH Set					
CTP3126374C	Cylinder Head Repl. Gasket Set					
CTP3126375A	Out of Frame OH Gasket Set		185-5080 186-1737 186-1768 187-0053 194-2334	3126	8YL00001-8YL99999	Turbocharged Single Head
CTP3126375B	Inframe OH Set					
CTP3126375C	Cylinder Head Repl. Gasket Set					
CTP3126376A	Out of Frame OH Gasket Set		185-5081 186-1735 186-1739 186-1755 186-1832	3126	8YL00001-8YL99999	Turbocharged Single Head
CTP3126376B	Inframe OH Set					
CTP3126376C	Cylinder Head Repl. Gasket Set					
CTP3126377A	Out of Frame OH Gasket Set		186-1842 186-1846 187-0008 187-7975 188-6707	3126	8YL00001-8YL99999	Turbocharged Single Head
CTP3126377B	Inframe OH Set					
CTP3126377C	Cylinder Head Repl. Gasket Set					
CTP3126378A	Out of Frame OH Gasket Set		186-1843 186-1849 187-0042 187-0049 187-7912	3126	8YL00001-8YL99999	Turbocharged Single Head
CTP3126378B	Inframe OH Set					
CTP3126378C	Cylinder Head Repl. Gasket Set					
CTP3126379A	Out of Frame OH Gasket Set		186-1859 187-7898 187-7902 187-7908 187-7910	3126	8YL00001-8YL99999	Turbocharged Single Head
CTP3126379B	Inframe OH Set					
CTP3126379C	Cylinder Head Repl. Gasket Set					
CTP3126380A	Out of Frame OH Gasket Set		187-0100 187-0112 187-0387 194-2434	3126	8YL00001-8YL99999	Turbocharged Single Head
CTP3126380B	Inframe OH Set					
CTP3126380C	Cylinder Head Repl. Gasket Set					

Part Number	Description	Machine Model / Application	Engine Arrangement	Engine Model	Engine Serial No.	Comments
CTP3126381A	Out of Frame OH Gasket Set		187-7896 187-7904 187-7905 187-7906 187-7907	3126	8YL00001-8YL99999	Turbocharged Single Head
CTP3126381B	Inframe OH Set					
CTP3126381C	Cylinder Head Repl. Gasket Set					
CTP3126382A	Out of Frame OH Gasket Set		187-7920 188-6960 191-4312 192-9629 194-2366	3126	8YL00001-8YL99999	Turbocharged Single Head
CTP3126382B	Inframe OH Set					
CTP3126382C	Cylinder Head Repl. Gasket Set					
CTP3126383A	Out of Frame OH Gasket Set		187-7922 187-7943 187-7976 187-7983 187-7984	3126	8YL00001-8YL99999	Turbocharged Single Head
CTP3126383B	Inframe OH Set					
CTP3126383C	Cylinder Head Repl. Gasket Set					
CTP3126384A	Out of Frame OH Gasket Set		187-7973 188-6877	3126	8YL00001-8YL99999	Turbocharged Single Head
CTP3126384B	Inframe OH Set					
CTP3126384C	Cylinder Head Repl. Gasket Set					
CTP3126385A	Out of Frame OH Gasket Set		187-7974 187-7978 187-7979 187-7982 187-7988	3126	8YL00001-8YL99999	Turbocharged Single Head
CTP3126385B	Inframe OH Set					
CTP3126385C	Cylinder Head Repl. Gasket Set					
CTP3126386A	Out of Frame OH Gasket Set		187-7985 187-7987 187-7992 188-6620 188-6637	3126	8YL00001-8YL99999	Turbocharged Single Head
CTP3126386B	Inframe OH Set					
CTP3126386C	Cylinder Head Repl. Gasket Set					
CTP3126387A	Out of Frame OH Gasket Set		187-7990 188-6639 188-6640 188-6641 188-6644	3126	8YL00001-8YL99999	Turbocharged Single Head
CTP3126387B	Inframe OH Set					
CTP3126387C	Cylinder Head Repl. Gasket Set					
CTP3126388A	Out of Frame OH Gasket Set		188-6611 188-6642 191-4164 194-2365 198-3506	3126	8YL00001-8YL99999	Turbocharged Single Head
CTP3126388B	Inframe OH Set					
CTP3126388C	Cylinder Head Repl. Gasket Set					

Part Number	Description	Machine Model / Application	Engine Arrangement	Engine Model	Engine Serial No.	Comments
CTP3126389A	Out of Frame OH Gasket Set		188-6622	3126	8YL00001-8YL99999	Turbocharged Single Head
CTP3126389B	Inframe OH Set	194-2407				
CTP3126389C	Cylinder Head Repl. Gasket Set					
CTP3126390A	Out of Frame OH Gasket Set		188-6638 188-6643 188-6756 188-6866 188-6869	3126	8YL00001-8YL99999	Turbocharged Single Head
CTP3126390B	Inframe OH Set					
CTP3126390C	Cylinder Head Repl. Gasket Set					
CTP3126391A	Out of Frame OH Gasket Set		188-6647 189-9601 194-2339	3126	8YL00001-8YL99999	Turbocharged Single Head
CTP3126391B	Inframe OH Set					
CTP3126391C	Cylinder Head Repl. Gasket Set					
CTP3126392A	Out of Frame OH Gasket Set		188-6659	3126	8YL00001-8YL99999	Turbocharged Single Head
CTP3126392B	Inframe OH Set					
CTP3126392C	Cylinder Head Repl. Gasket Set					
CTP3126393A	Out of Frame OH Gasket Set		188-6750 194-2354 194-2355 194-2394 194-2427	3126	8YL00001-8YL99999	Turbocharged Single Head
CTP3126393B	Inframe OH Set					
CTP3126393C	Cylinder Head Repl. Gasket Set					
CTP3126394A	Out of Frame OH Gasket Set		188-6870 194-2315 197-1183 197-1190 197-1192	3126	8YL00001-8YL99999	Turbocharged Single Head
CTP3126394B	Inframe OH Set					
CTP3126394C	Cylinder Head Repl. Gasket Set					
CTP3126395A	Out of Frame OH Gasket Set		188-6871 188-6872 188-6873 188-6901 192-9334	3126	8YL00001-8YL99999	Turbocharged Single Head
CTP3126395B	Inframe OH Set					
CTP3126395C	Cylinder Head Repl. Gasket Set					
CTP3126396A	Out of Frame OH Gasket Set		188-6976	3126	8YL00001-8YL99999	Turbocharged Single Head
CTP3126396B	Inframe OH Set					
CTP3126396C	Cylinder Head Repl. Gasket Set					

Part Number	Description	Machine Model / Application	Engine Arrangement	Engine Model	Engine Serial No.	Comments
CTP3126397A	Out of Frame OH Gasket Set		191-4046	3126	8YL00001-8YL99999	Turbocharged Single Head
CTP3126397B	Inframe OH Set					
CTP3126397C	Cylinder Head Repl. Gasket Set					
CTP3126398A	Out of Frame OH Gasket Set		191-4047 191-4239 191-4362 192-9654 202-9503	3126	8YL00001-8YL99999	Turbocharged Single Head
CTP3126398B	Inframe OH Set					
CTP3126398C	Cylinder Head Repl. Gasket Set					
CTP3126399A	Out of Frame OH Gasket Set		192-9548 195-4263 195-4264	3126	8YL00001-8YL99999	Turbocharged Single Head
CTP3126399B	Inframe OH Set					
CTP3126399C	Cylinder Head Repl. Gasket Set					
CTP3126400A	Out of Frame OH Gasket Set		194-2288 194-2312 194-2313 194-2314 194-2327	3126	8YL00001-8YL99999	Turbocharged Single Head
CTP3126400B	Inframe OH Set					
CTP3126400C	Cylinder Head Repl. Gasket Set					
CTP3126401A	Out of Frame OH Gasket Set		194-2328 194-2415 195-4099 197-1120 197-1130	3126	8YL00001-8YL99999	Turbocharged Single Head
CTP3126401B	Inframe OH Set					
CTP3126401C	Cylinder Head Repl. Gasket Set					
CTP3126402A	Out of Frame OH Gasket Set		194-2359	3126	8YL00001-8YL99999	Turbocharged Single Head
CTP3126402B	Inframe OH Set					
CTP3126402C	Cylinder Head Repl. Gasket Set		195-4261			
CTP3126403A	Out of Frame OH Gasket Set		194-2412	3126	8YL00001-8YL99999	Turbocharged Single Head
CTP3126403B	Inframe OH Set					
CTP3126403C	Cylinder Head Repl. Gasket Set					
CTP3126404A	Out of Frame OH Gasket Set		194-2413	3126	8YL00001-8YL99999	Turbocharged Single Head
CTP3126404B	Inframe OH Set					
CTP3126404C	Cylinder Head Repl. Gasket Set					

Part Number	Description	Machine Model / Application	Engine Arrangement	Engine Model	Engine Serial No.	Comments
CTP3126405A	Out of Frame OH Gasket Set		195-4015 195-4197 195-4383 197-1079	3126	8YL00001-8YL99999	Turbocharged Single Head
CTP3126405B	Inframe OH Set					
CTP3126405C	Cylinder Head Repl. Gasket Set					
CTP3126406A	Out of Frame OH Gasket Set		194-4258	3126	8YL00001-8YL99999	Turbocharged Single Head
CTP3126407A	Out of Frame OH Gasket Set		195-4127	3126	8YL00001-8YL99999	Turbocharged Single Head
CTP3126407B	Inframe OH Set					
CTP3126407C	Cylinder Head Repl. Gasket Set					
CTP3126408A	Out of Frame OH Gasket Set		195-4129 195-4168	3126	8YL00001-8YL99999	Turbocharged Single Head
CTP3126408B	Inframe OH Set					
CTP3126408C	Cylinder Head Repl. Gasket Set					
CTP3126409A	Out of Frame OH Gasket Set		195-4139	3126	8YL00001-8YL99999	Turbocharged Single Head
CTP3126409C	Cylinder Head Repl. Gasket Set					
CTP3126410A	Out of Frame OH Gasket Set		195-4147 195-4151	3126	8YL00001-8YL99999	Turbocharged Single Head
CTP3126410C	Cylinder Head Repl. Gasket Set					
CTP3126411A	Out of Frame OH Gasket Set		195-4258	3126	8YL00001-8YL99999	Turbocharged Single Head
CTP3126412A	Out of Frame OH Gasket Set		195-4260	3126	8YL00001-8YL99999	Turbocharged Single Head
CTP3126412B	Inframe OH Set					
CTP3126412C	Multiple Cyl. Head Repl. Gasket Set					
CTP3126413A	Out of Frame OH Gasket Set		195-4262 195-4266 195-4267 195-4268 195-4310	3126	8YL00001-8YL99999	Turbocharged Single Head
CTP3126413C	Cylinder Head Repl. Gasket Set					

Part Number	Description	Machine Model / Application	Engine Arrangement	Engine Model	Engine Serial No.	Comments
CTP3126414A	Out of Frame OH Gasket Set		195-4264	3126	8YL00001-8YL99999	Turbocharged Single Head
CTP3126414B	Inframe OH Set					
CTP3126414C	Cylinder Head Repl. Gasket Set					
CTP3126415A	Out of Frame OH Gasket Set		195-4289	3126	8YL00001-8YL99999	Turbocharged Single Head
CTP3126415B	Inframe OH Set					
CTP3126415C	Cylinder Head Repl. Gasket Set					
CTP3126416A	Out of Frame OH Gasket Set		195-4309 195-4313	3126	8YL00001-8YL99999	Turbocharged Single Head
CTP3126416C	Cylinder Head Repl. Gasket Set					
CTP3126417A	Out of Frame OH Gasket Set		197-1129 197-1206 197-1225	3126	8YL00001-8YL99999	Turbocharged Single Head
CTP3126417B	Inframe OH Set					
CTP3126417C	Cylinder Head Repl. Gasket Set					
CTP3126418A	Out of Frame OH Gasket Set		197-1131 197-1132 197-1136 197-1172 197-1182	3126	8YL00001-8YL99999	Turbocharged Single Head
CTP3126418B	Inframe OH Set					
CTP3126418C	Cylinder Head Repl. Gasket Set					
CTP3126419A	Out of Frame OH Gasket Set		197-1144 197-1151 197-1152 197-1153 197-1233	3126	8YL00001-8YL99999	Turbocharged Single Head
CTP3126419B	Inframe OH Set					
CTP3126419C	Cylinder Head Repl. Gasket Set					
CTP3126420A	Out of Frame OH Gasket Set		197-1161	3126	8YL00001-8YL99999	Turbocharged Single Head
CTP3126420B	Inframe OH Set					
CTP3126420C	Cylinder Head Repl. Gasket Set					
CTP3126421A	Out of Frame OH Gasket Set		197-1184 197-1194 197-1195 197-1205 197-1212	3126	8YL00001-8YL99999	Turbocharged Single Head
CTP3126421B	Inframe OH Set					
CTP3126421C	Cylinder Head Repl. Gasket Set					

Part Number	Description	Machine Model / Application	Engine Arrangement	Engine Model	Engine Serial No.	Comments
CTP3126422A	Out of Frame OH Gasket Set		197-1215 197-1216 197-1222 197-1223	3126	8YL00001-8YL99999	Turbocharged Single Head
CTP3126422B	Inframe OH Set					
CTP3126422C	Cylinder Head Repl. Gasket Set					
CTP3126423A	Out of Frame OH Gasket Set		197-1234 197-1235 197-1236 197-1240 197-1295	3126	8YL00001-8YL99999	Turbocharged Single Head
CTP3126423B	Inframe OH Set					
CTP3126423C	Cylinder Head Repl. Gasket Set					
CTP3126424A	Out of Frame OH Gasket Set		197-1241	3126	8YL00001-8YL99999	Turbocharged Single Head
CTP3126424B	Inframe OH Set					
CTP3126424C	Cylinder Head Repl. Gasket Set					
CTP3126425A	Out of Frame OH Gasket Set		197-1253 198-3571	3126	8YL00001-8YL99999	Turbocharged Single Head
CTP3126425B	Inframe OH Set					
CTP3126425C	Cylinder Head Repl. Gasket Set					
CTP3126426A	Out of Frame OH Gasket Set		198-3504 198-3564	3126	8YL00001-8YL99999	Turbocharged Single Head
CTP3126426B	Inframe OH Set					
CTP3126426C	Cylinder Head Repl. Gasket Set					
CTP3126427A	Out of Frame OH Gasket Set		198-3572	3126	8YL00001-8YL99999	Turbocharged Single Head
CTP3126427C	Cylinder Head Repl. Gasket Set					
CTP3126428A	Out of Frame OH Gasket Set		198-3574	3126	8YL00001-8YL99999	Turbocharged Single Head
CTP3126428B	Inframe OH Set					
CTP3126428C	Cylinder Head Repl. Gasket Set					
CTP3126429A	Out of Frame OH Gasket Set		199-8563	3126	8YL00001-8YL99999	Turbocharged Single Head
CTP3126429C	Cylinder Head Repl. Gasket Set					

Part Number	Description	Machine Model / Application	Engine Arrangement	Engine Model	Engine Serial No.	Comments
CTP3126430A	Out of Frame OH Gasket Set		202-9327	3126	8YL00001-8YL99999	Turbocharged Single Head
CTP3126430B	Inframe OH Set					
CTP3126430C	Cylinder Head Repl. Gasket Set					
CTP3126431A	Out of Frame OH Gasket Set		210-4243 221-7598	3126	BKD00001-BKD99999	Turbocharged Single Head
CTP3126431B	Inframe OH Set					
CTP3126431C	Cylinder Head Repl. Gasket Set					
CTP3126432A	Out of Frame OH Gasket Set		221-7596	3126	BKD00001-BKD99999	Turbocharged Single Head
CTP3126432B	Inframe OH Set					
CTP3126432C	Cylinder Head Repl. Gasket Set					
CTP3126433A	Out of Frame OH Gasket Set		205-2549	3126	BKD00001-BKD99999	Turbocharged Single Head
CTP3126433C	Cylinder Head Repl. Gasket Set					
CTP3126434A	Out of Frame OH Gasket Set		206-8260	3126	CRP00001-CRP99999	Turbocharged Single Head
CTP3126434B	Inframe OH Set					
CTP3126434C	Cylinder Head Repl. Gasket Set					
CTP3126435A	Out of Frame OH Gasket Set		212-9238	3126	CRP00001-CRP99999	Turbocharged Single Head
CTP3126435B	Inframe OH Set					
CTP3126435C	Cylinder Head Repl. Gasket Set					
CTP3126436A	Out of Frame OH Gasket Set		220-7755	3126	DPF00001-DPF99999	Turbocharged Single Head
CTP3126436C	Cylinder Head Repl. Gasket Set					
CTP3126437A	Out of Frame OH Gasket Set		233-2160	3126	G3E00001-G3E99999	Turbocharged Single Head
CTP3126437B	Inframe OH Set					
CTP3126437C	Cylinder Head Repl. Gasket Set					

Part Number	Description	Machine Model / Application	Engine Arrangement	Engine Model	Engine Serial No.	Comments
CTP3126438A	Out of Frame OH Gasket Set		254-5878	3126	G3E00001-G3E99999	Turbocharged Single Head
CTP3126438B	Inframe OH Set					
CTP3126438C	Cylinder Head Repl. Gasket Set					
CTP3126439A	Out of Frame OH Gasket Set		262-3649	3126	G3E00001-G3E99999	Turbocharged Single Head
CTP3126439B	Inframe OH Set					
CTP3126439C	Cylinder Head Repl. Gasket Set					
CTP3126440A	Out of Frame OH Gasket Set		276-3429	3126	G3E00001-G3E99999	Turbocharged Single Head
CTP3126440B	Inframe OH Set					
CTP3126440C	Cylinder Head Repl. Gasket Set					
CTP3126441A	Out of Frame OH Gasket Set		283-6603	3126	G3E00001-G3E99999	Turbocharged Single Head
CTP3126441B	Inframe OH Set					
CTP3126441C	Cylinder Head Repl. Gasket Set					
CTP3126442A	Out of Frame OH Gasket Set		288-8591	3126	G3E00001-G3E99999	Turbocharged Single Head
CTP3126442B	Inframe OH Set					
CTP3126442C	Cylinder Head Repl. Gasket Set					
CTP3126443A	Out of Frame OH Gasket Set		216-6324	3126	LEF00001-LEF99999	Turbocharged Single Head
CTP3126443B	Inframe OH Set					
CTP3126443C	Cylinder Head Repl. Gasket Set					
CTP3126444A	Out of Frame OH Gasket Set	3126E	222-9687	3126	HEP00001-HEP99999	Turbocharged Single Head
CTP3126444C	Cylinder Head Repl. Gasket Set					
CTP3126445A	Out of Frame OH Gasket Set	3126E	222-9688 225-2040	3126	HEP00001-HEP99999	Turbocharged Single Head
CTP3126445B	Inframe OH Set					
CTP3126445C	Cylinder Head Repl. Gasket Set					

Part Number	Description	Machine Model / Application	Engine Arrangement	Engine Model	Engine Serial No.	Comments
CTP3126446A	Out of Frame OH Gasket Set	3126E	224-0406 224-0444	3126	HEP00001-HEP99999	Turbocharged Single Head
CTP3126446B	Inframe OH Set					
CTP3126446C	Cylinder Head Repl. Gasket Set					
CTP3126447A	Out of Frame OH Gasket Set	3126E	224-0635	3126	HEP00001-HEP99999	Turbocharged Single Head
CTP3126447B	Inframe OH Set					
CTP3126447D	Cylinder Head Repl. Gasket Set					
CTP3126448A	Out of Frame OH Gasket Set	3126E	224-7882	3126	HEP00001-HEP99999	Turbocharged Single Head
CTP3126448B	Inframe OH Set					
CTP3126448C	Cylinder Head Repl. Gasket Set					
CTP3126449A	Out of Frame OH Gasket Set	3126E	224-7931 228-1264	3126	HEP00001-HEP99999	Turbocharged Single Head
CTP3126449B	Inframe OH Set					
CTP3126449C	Cylinder Head Repl. Gasket Set					
CTP3126450A	Out of Frame OH Gasket Set	3126E	224-7981 224-7983 224-7984 224-7988	3126	HEP00001-HEP99999	Turbocharged Single Head
CTP3126450B	Inframe OH Set					
CTP3126450C	Cylinder Head Repl. Gasket Set					
CTP3126451A	Out of Frame OH Gasket Set	3126E	224-7992 224-7998	3126	HEP00001-HEP99999	Turbocharged Single Head
CTP3126451B	Inframe OH Set					
CTP3126451C	Cylinder Head Repl. Gasket Set					
CTP3126452A	Out of Frame OH Gasket Set	3126E	224-7993 224-7995	3126	HEP00001-HEP99999	Turbocharged Single Head
CTP3126452B	Inframe OH Set					
CTP3126452C	Cylinder Head Repl. Gasket Set					
CTP3126453A	Out of Frame OH Gasket Set	3126E	224-7997 224-8003	3126	HEP00001-HEP99999	Turbocharged Single Head
CTP3126453B	Inframe OH Set					
CTP3126453C	Cylinder Head Repl. Gasket Set					

Part Number	Description	Machine Model / Application	Engine Arrangement	Engine Model	Engine Serial No.	Comments
CTP3126454A	Out of Frame OH Gasket Set	3126E	224-8001 229-4757	3126	HEP00001- HEP99999	Turbocharged Single Head
CTP3126454B	Inframe OH Set					
CTP3126454C	Cylinder Head Repl. Gasket Set					
CTP3126455A	Out of Frame OH Gasket Set	3126E	225-2041 225-2104 225-2105 225-2179 225-2189 225-2212	3126	HEP00001- HEP99999	Turbocharged Single Head
CTP3126455B	Inframe OH Set					
CTP3126455C	Cylinder Head Repl. Gasket Set					
CTP3126456A	Out of Frame OH Gasket Set	3126E	225-2048 225-2080 225-2081 225-2169 225-9785 225-9822	3126	HEP00001- HEP99999	Turbocharged Single Head
CTP3126456B	Inframe OH Set					
CTP3126456C	Cylinder Head Repl. Gasket Set					
CTP3126457A	Out of Frame OH Gasket Set	3126E	225-2078 225-2171 225-2174 225-2175 225-2177 226-7057	3126	HEP00001- HEP99999	Turbocharged Single Head
CTP3126457B	Inframe OH Set					
CTP3126457C	Cylinder Head Repl. Gasket Set					
CTP3126458A	Out of Frame OH Gasket Set	3126E	225-2083 225-2101 225-2196 225-2199 225-2202 225-2215	3126	HEP00001- HEP99999	Turbocharged Single Head
CTP3126458B	Inframe OH Set					
CTP3126458C	Cylinder Head Repl. Gasket Set					
CTP3126459A	Out of Frame OH Gasket Set	3126E	225-2084	3126	HEP00001- HEP99999	Turbocharged Single Head
CTP3126459B	Inframe OH Set					
CTP3126459C	Cylinder Head Repl. Gasket Set					
CTP3126460A	Out of Frame OH Gasket Set	3126E	225-2085	3126	HEP00001- HEP99999	Turbocharged Single Head
CTP3126460B	Inframe OH Set					
CTP3126460C	Cylinder Head Repl. Gasket Set					
CTP3126461A	Out of Frame OH Gasket Set	3126E	225-2182 225-2187 225-2201 225-2204 225-9731 225-9738	3126	HEP00001- HEP99999	Turbocharged Single Head
CTP3126461B	Inframe OH Set					
CTP3126461C	Cylinder Head Repl. Gasket Set					

Part Number	Description	Machine Model / Application	Engine Arrangement	Engine Model	Engine Serial No.	Comments
CTP3126462A	Out of Frame OH Gasket Set	3126E	225-2176 225-2194 225-2217 225-9814	3126	HEP00001- HEP99999	Turbocharged Single Head
CTP3126462B	Inframe OH Set					
CTP3126462C	Cylinder Head Repl. Gasket Set					
CTP3126463A	Out of Frame OH Gasket Set	3126E	225-2184 225-9821 225-9831 226-6898	3126	HEP00001- HEP99999	Turbocharged Single Head
CTP3126463B	Inframe OH Set					
CTP3126463C	Cylinder Head Repl. Gasket Set					
CTP3126464A	Out of Frame OH Gasket Set	3126E	225-2188 225-9744 225-9782 225-9783 225-9806 230-8466	3126	HEP00001- HEP99999	Turbocharged Single Head
CTP3126464B	Inframe OH Set					
CTP3126464C	Cylinder Head Repl. Gasket Set					
CTP3126465A	Out of Frame OH Gasket Set	3126E	225-2167 225-2173	3126	HEP00001- HEP99999	Turbocharged Single Head
CTP3126465B	Inframe OH Set					
CTP3126465C	Cylinder Head Repl. Gasket Set					
CTP3126466A	Out of Frame OH Gasket Set	3126E	225-2195	3126	HEP00001- HEP99999	Turbocharged Single Head
CTP3126466B	Inframe OH Set					
CTP3126466C	Cylinder Head Repl. Gasket Set					
CTP3126467A	Out of Frame OH Gasket Set	3126E	225-2197 226-0014 226-6877 229-4497 230-1738	3126	HEP00001- HEP99999	Turbocharged Single Head
CTP3126467B	Inframe OH Set					
CTP3126467C	Cylinder Head Repl. Gasket Set					
CTP3126468A	Out of Frame OH Gasket Set	3126E	225-2206 239-4563	3126	HEP00001- HEP99999	Turbocharged Single Head
CTP3126468B	Inframe OH Set					
CTP3126468C	Cylinder Head Repl. Gasket Set					
CTP3126469A	Out of Frame OH Gasket Set	3126E	225-2214 225-9736 225-9798	3126	HEP00001- HEP99999	Turbocharged Single Head
CTP3126469B	Inframe OH Set					
CTP3126469C	Cylinder Head Repl. Gasket Set					

Part Number	Description	Machine Model / Application	Engine Arrangement	Engine Model	Engine Serial No.	Comments
CTP3126470A	Out of Frame OH Gasket Set	3126E	225-2221	3126	HEP00001-HEP99999	Turbocharged Single Head
CTP3126470B	Inframe OH Set					
CTP3126470C	Cylinder Head Repl. Gasket Set					
CTP3126471A	Out of Frame OH Gasket Set	3126E	225-9732 225-9741 225-9787 226-7056 239-4563	3126	HEP00001-HEP99999	Turbocharged Single Head
CTP3126471B	Inframe OH Set					
CTP3126471C	Cylinder Head Repl. Gasket Set					
CTP3126472A	Out of Frame OH Gasket Set	3126E	225-9777 230-8447 230-8609	3126	HEP00001-HEP99999	Turbocharged Single Head
CTP3126472B	Inframe OH Set					
CTP3126472C	Cylinder Head Repl. Gasket Set					
CTP3126473A	Out of Frame OH Gasket Set	3126E	225-9791	3126	HEP00001-HEP99999	Turbocharged Single Head
CTP3126473B	Inframe OH Set					
CTP3126473C	Cylinder Head Repl. Gasket Set					
CTP3126474A	Out of Frame OH Gasket Set	3126E	225-9809	3126	HEP00001-HEP99999	Turbocharged Single Head
CTP3126474B	Inframe OH Set					
CTP3126474C	Cylinder Head Repl. Gasket Set					
CTP3126475A	Out of Frame OH Gasket Set	3126E	225-9839 225-9961 226-7045	3126	HEP00001-HEP99999	Turbocharged Single Head
CTP3126475B	Inframe OH Set					
CTP3126475C	Cylinder Head Repl. Gasket Set					
CTP3126476A	Out of Frame OH Gasket Set	3126E	225-9964	3126	HEP00001-HEP99999	Turbocharged Single Head
CTP3126476B	Inframe OH Set					
CTP3126476C	Cylinder Head Repl. Gasket Set					
CTP3126477A	Out of Frame OH Gasket Set	3126E	225-9972	3126	HEP00001-HEP99999	Turbocharged Single Head
CTP3126477B	Inframe OH Set					
CTP3126477C	Cylinder Head Repl. Gasket Set					

Part Number	Description	Machine Model / Application	Engine Arrangement	Engine Model	Engine Serial No.	Comments
CTP3126478A	Out of Frame OH Gasket Set	3126E	225-9981 226-0006	3126	HEP00001-HEP99999	Turbocharged Single Head
CTP3126478B	Inframe OH Set					
CTP3126478C	Cylinder Head Repl. Gasket Set					
CTP3126479A	Out of Frame OH Gasket Set	3126E	225-9997	3126	HEP00001-HEP99999	Turbocharged Single Head
CTP3126479B	Inframe OH Set					
CTP3126479C	Cylinder Head Repl. Gasket Set					
CTP3126480A	Out of Frame OH Gasket Set	3126E	226-6836 226-6980 226-6984 226-6985 226-6986 226-6987	3126	HEP00001-HEP99999	Turbocharged Single Head
CTP3126480B	Inframe OH Set					
CTP3126480C	Cylinder Head Repl. Gasket Set					
CTP3126481A	Out of Frame OH Gasket Set	3126E	226-6884	3126	HEP00001-HEP99999	Turbocharged Single Head
CTP3126481B	Inframe OH Set					
CTP3126481C	Cylinder Head Repl. Gasket Set					
CTP3126482A	Out of Frame OH Gasket Set	3126E	226-6911 232-5496	3126	HEP00001-HEP99999	Turbocharged Single Head
CTP3126482B	Inframe OH Set					
CTP3126482C	Cylinder Head Repl. Gasket Set					
CTP3126483A	Out of Frame OH Gasket Set	3126E	226-6966	3126	HEP00001-HEP99999	Turbocharged Single Head
CTP3126483B	Inframe OH Set					
CTP3126483C	Cylinder Head Repl. Gasket Set					
CTP3126484A	Out of Frame OH Gasket Set	3126E	226-7048	3126	HEP00001-HEP99999	Turbocharged Single Head
CTP3126484B	Inframe OH Set					
CTP3126484C	Cylinder Head Repl. Gasket Set					
CTP3126485A	Out of Frame OH Gasket Set	3126E	226-7050 226-7083	3126	HEP00001-HEP99999	Turbocharged Single Head
CTP3126485B	Inframe OH Set					
CTP3126485C	Cylinder Head Repl. Gasket Set					

Part Number	Description	Machine Model / Application	Engine Arrangement	Engine Model	Engine Serial No.	Comments
CTP3126486A	Out of Frame OH Gasket Set	3126E	226-7052 226-7092 233-8904	3126	HEP00001- HEP99999	Turbocharged Single Head
CTP3126486B	Inframe OH Set					
CTP3126486C	Cylinder Head Repl. Gasket Set					
CTP3126487A	Out of Frame OH Gasket Set	3126E	226-7054	3126	HEP00001- HEP99999	Turbocharged Single Head
CTP3126487B	Inframe OH Set					
CTP3126487C	Cylinder Head Repl. Gasket Set					
CTP3126488A	Out of Frame OH Gasket Set	3126E	228-1089 228-1090 228-1126 228-1127 228-1128 228-1130	3126	HEP00001- HEP99999	Turbocharged Single Head
CTP3126488B	Inframe OH Set					
CTP3126488C	Cylinder Head Repl. Gasket Set					
CTP3126489A	Out of Frame OH Gasket Set	3126E	225-9834	3126	HEP00001- HEP99999	Turbocharged Single Head
CTP3126489B	Inframe OH Set					
CTP3126489C	Cylinder Head Repl. Gasket Set					
CTP3126490A	Out of Frame OH Gasket Set	3126E	228-1091 228-1125 228-1248 229-4489 230-1754 230-1755	3126	HEP00001- HEP99999	Turbocharged Single Head
CTP3126490B	Inframe OH Set					
CTP3126490C	Cylinder Head Repl. Gasket Set					
CTP3126491A	Out of Frame OH Gasket Set	3126E	228-1131 228-1134 228-1213 228-1214 228-1222 228-1249	3126	HEP00001- HEP99999	Turbocharged Single Head
CTP3126491B	Inframe OH Set					
CTP3126491C	Cylinder Head Repl. Gasket Set					
CTP3126492A	Out of Frame OH Gasket Set	3126E	228-1133	3126	HEP00001- HEP99999	Turbocharged Single Head
CTP3126492B	Inframe OH Set					
CTP3126492C	Cylinder Head Repl. Gasket Set					
CTP3126493A	Out of Frame OH Gasket Set	3126E	228-1145	3126	HEP00001- HEP99999	Turbocharged Single Head
CTP3126493B	Inframe OH Set					
CTP3126493C	Cylinder Head Repl. Gasket Set					

Part Number	Description	Machine Model / Application	Engine Arrangement	Engine Model	Engine Serial No.	Comments
CTP3126494A	Out of Frame OH Gasket Set	3126E	228-1185	3126	HEP00001- HEP99999	Turbocharged Single Head
CTP3126494B	Inframe OH Set					
CTP3126494C	Cylinder Head Repl. Gasket Set					
CTP3126495A	Out of Frame OH Gasket Set	3126E	228-1234	3126	HEP00001- HEP99999	Turbocharged Single Head
CTP3126495B	Inframe OH Set					
CTP3126495C	Cylinder Head Repl. Gasket Set					
CTP3126496A	Out of Frame OH Gasket Set	3126E	228-1241	3126	HEP00001- HEP99999	Turbocharged Single Head
CTP3126496B	Inframe OH Set					
CTP3126496C	Cylinder Head Repl. Gasket Set					
CTP3126497A	Out of Frame OH Gasket Set	3126E	228-1510	3126	HEP00001- HEP99999	Turbocharged Single Head
CTP3126497B	Inframe OH Set					
CTP3126497C	Cylinder Head Repl. Gasket Set					
CTP3126498A	Out of Frame OH Gasket Set	3126E	229-4484 230-8608	3126	HEP00001- HEP99999	Turbocharged Single Head
CTP3126498B	Inframe OH Set					
CTP3126498C	Cylinder Head Repl. Gasket Set					
CTP3126499A	Out of Frame OH Gasket Set	3126E	229-4492 229-4493	3126	HEP00001- HEP99999	Turbocharged Single Head
CTP3126499B	Inframe OH Set					
CTP3126499C	Cylinder Head Repl. Gasket Set					
CTP3126500A	Out of Frame OH Gasket Set	3126E	229-4503 229-4505	3126	HEP00001- HEP99999	Turbocharged Single Head
CTP3126500B	Inframe OH Set					
CTP3126500C	Cylinder Head Repl. Gasket Set					
CTP3126501A	Out of Frame OH Gasket Set	3126E	229-4507 230-8475 230-8479 231-5664 232-5336	3126	HEP00001- HEP99999	Turbocharged Single Head
CTP3126501B	Inframe OH Set					
CTP3126501C	Cylinder Head Repl. Gasket Set					

Part Number	Description	Machine Model / Application	Engine Arrangement	Engine Model	Engine Serial No.	Comments
CTP3126502A	Out of Frame OH Gasket Set	3126E	229-4508 230-8477 230-8482 230-8483 230-8484 230-8485	3126	HEP00001- HEP99999	Turbocharged Single Head
CTP3126502B	Inframe OH Set					
CTP3126502C	Cylinder Head Repl. Gasket Set					
CTP3126503A	Out of Frame OH Gasket Set	3126E	229-4509 230-1757	3126	HEP00001- HEP99999	Turbocharged Single Head
CTP3126503B	Inframe OH Set					
CTP3126503C	Cylinder Head Repl. Gasket Set					
CTP3126504A	Out of Frame OH Gasket Set	3126E	229-4512 229-4706 229-4756	3126	HEP00001- HEP99999	Turbocharged Single Head
CTP3126504B	Inframe OH Set					
CTP3126504C	Cylinder Head Repl. Gasket Set					
CTP3126505A	Out of Frame OH Gasket Set	3126E	229-4513 229-4527 229-4708 229-4709	3126	HEP00001- HEP99999	Turbocharged Single Head
CTP3126505B	Inframe OH Set					
CTP3126505C	Cylinder Head Repl. Gasket Set					
CTP3126506A	Out of Frame OH Gasket Set	3126E	229-4514 229-4519	3126	HEP00001- HEP99999	Turbocharged Single Head
CTP3126506B	Inframe OH Set					
CTP3126506C	Cylinder Head Repl. Gasket Set					
CTP3126507A	Out of Frame OH Gasket Set	3126E	229-4515 229-4525 229-4529 229-4530 229-4707 229-4711	3126	HEP00001- HEP99999	Turbocharged Single Head
CTP3126507B	Inframe OH Set					
CTP3126507C	Cylinder Head Repl. Gasket Set					
CTP3126508A	Out of Frame OH Gasket Set	3126E	229-4517 229-4518	3126	HEP00001- HEP99999	Turbocharged Single Head
CTP3126508B	Inframe OH Set					
CTP3126508C	Cylinder Head Repl. Gasket Set					
CTP3126509A	Out of Frame OH Gasket Set	3126E	229-4520	3126	HEP00001- HEP99999	Turbocharged Single Head
CTP3126509B	Inframe OH Set					
CTP3126509C	Cylinder Head Repl. Gasket Set					

Part Number	Description	Machine Model / Application	Engine Arrangement	Engine Model	Engine Serial No.	Comments
CTP3126510A	Out of Frame OH Gasket Set	3126E	229-4521 229-4748	3126	HEP00001- HEP99999	Turbocharged Single Head
CTP3126510B	Inframe OH Set					
CTP3126510C	Cylinder Head Repl. Gasket Set					
CTP3126511A	Out of Frame OH Gasket Set	3126E	229-4522	3126	HEP00001- HEP99999	Turbocharged Single Head
CTP3126511B	Inframe OH Set					
CTP3126511C	Cylinder Head Repl. Gasket Set					
CTP3126512A	Out of Frame OH Gasket Set	3126E	229-4523	3126	HEP00001- HEP99999	Turbocharged Single Head
CTP3126512B	Inframe OH Set					
CTP3126512C	Cylinder Head Repl. Gasket Set					
CTP3126513A	Out of Frame OH Gasket Set	3126E	229-4524	3126	HEP00001- HEP99999	Turbocharged Single Head
CTP3126513B	Inframe OH Set					
CTP3126513C	Cylinder Head Repl. Gasket Set					
CTP3126514A	Out of Frame OH Gasket Set	3126E	229-4528 230-1740 233-8914	3126	HEP00001- HEP99999	Turbocharged Single Head
CTP3126514B	Inframe OH Set					
CTP3126514C	Cylinder Head Repl. Gasket Set					
CTP3126515A	Out of Frame OH Gasket Set	3126E	229-4680	3126	HEP00001- HEP99999	Turbocharged Single Head
CTP3126515B	Inframe OH Set					
CTP3126515C	Cylinder Head Repl. Gasket Set					
CTP3126516A	Out of Frame OH Gasket Set	3126E	229-4681	3126	HEP00001- HEP99999	Turbocharged Single Head
CTP3126516B	Inframe OH Set					
CTP3126516C	Cylinder Head Repl. Gasket Set					
CTP3126517A	Out of Frame OH Gasket Set	3126E	229-4682	3126	HEP00001- HEP99999	Turbocharged Single Head
CTP3126517B	Inframe OH Set					
CTP3126517C	Cylinder Head Repl. Gasket Set					

Part Number	Description	Machine Model / Application	Engine Arrangement	Engine Model	Engine Serial No.	Comments
CTP3126518A	Out of Frame OH Gasket Set	3126E	229-4712 229-4733 230-1763 230-8461 230-8469 230-8628	3126	HEP00001- HEP99999	Turbocharged Single Head
CTP3126518B	Inframe OH Set					
CTP3126518C	Cylinder Head Repl. Gasket Set					
CTP3126519A	Out of Frame OH Gasket Set	3126E	229-4741	3126	HEP00001- HEP99999	Turbocharged Single Head
CTP3126519B	Inframe OH Set					
CTP3126519C	Cylinder Head Repl. Gasket Set					
CTP3126520A	Out of Frame OH Gasket Set	3126E	229-4758 230-1725 230-1759	3126	HEP00001- HEP99999	Turbocharged Single Head
CTP3126520B	Inframe OH Set					
CTP3126520C	Cylinder Head Repl. Gasket Set					
CTP3126521A	Out of Frame OH Gasket Set	3126E	229-4759	3126	HEP00001- HEP99999	Turbocharged Single Head
CTP3126521B	Inframe OH Set					
CTP3126521C	Cylinder Head Repl. Gasket Set					
CTP3126522A	Out of Frame OH Gasket Set	3126E	229-4762 230-1734 230-1746 230-1760 231-5430	3126	HEP00001- HEP99999	Turbocharged Single Head
CTP3126522B	Inframe OH Set					
CTP3126522C	Cylinder Head Repl. Gasket Set					
CTP3126523A	Out of Frame OH Gasket Set	3126E	230-1772 230-1773 230-2004	3126	HEP00001- HEP99999	Turbocharged Single Head
CTP3126523B	Inframe OH Set					
CTP3126523C	Cylinder Head Repl. Gasket Set					
CTP3126524A	Out of Frame OH Gasket Set	3126E	230-1957 230-1959 230-1996 230-2007	3126	HEP00001- HEP99999	Turbocharged Single Head
CTP3126524B	Inframe OH Set					
CTP3126524C	Cylinder Head Repl. Gasket Set					
CTP3126525A	Out of Frame OH Gasket Set	3126E	230-1958	3126	HEP00001- HEP99999	Turbocharged Single Head
CTP3126525B	Inframe OH Set					
CTP3126525C	Cylinder Head Repl. Gasket Set					

Part Number	Description	Machine Model / Application	Engine Arrangement	Engine Model	Engine Serial No.	Comments
CTP3126526A	Out of Frame OH Gasket Set	3126E	230-1993 230-8434	3126	HEP00001- HEP99999	Turbocharged Single Head
CTP3126526B	Inframe OH Set					
CTP3126526C	Cylinder Head Repl. Gasket Set					
CTP3126527A	Out of Frame OH Gasket Set	3126E	230-2006	3126	HEP00001- HEP99999	Turbocharged Single Head
CTP3126527B	Inframe OH Set					
CTP3126527C	Cylinder Head Repl. Gasket Set					
CTP3126528A	Out of Frame OH Gasket Set	3126E	230-8439	3126	HEP00001- HEP99999	Turbocharged Single Head
CTP3126528B	Inframe OH Set					
CTP3126528C	Cylinder Head Repl. Gasket Set					
CTP3126529A	Out of Frame OH Gasket Set	3126E	230-8449	3126	HEP00001- HEP99999	Turbocharged Single Head
CTP3126529B	Inframe OH Set					
CTP3126529C	Cylinder Head Repl. Gasket Set					
CTP3126530A	Out of Frame OH Gasket Set	3126E	230-8455	3126	HEP00001- HEP99999	Turbocharged Single Head
CTP3126530B	Inframe OH Set					
CTP3126530C	Cylinder Head Repl. Gasket Set					
CTP3126531A	Out of Frame OH Gasket Set	3126E	230-8473	3126	HEP00001- HEP99999	
CTP3126532A	Out of Frame OH Gasket Set	3126E	230-8624	3126	HEP00001- HEP99999	Turbocharged Single Head
CTP3126532B	Inframe OH Set					
CTP3126532C	Cylinder Head Repl. Gasket Set					
CTP3126533A	Out of Frame OH Gasket Set	3126E	230-8636 230-8650	3126	HEP00001- HEP99999	Turbocharged Single Head
CTP3126533B	Inframe OH Set					
CTP3126533C	Cylinder Head Repl. Gasket Set					

Part Number	Description	Machine Model / Application	Engine Arrangement	Engine Model	Engine Serial No.	Comments
CTP3126534A	Out of Frame OH Gasket Set	3126E	230-8643	3126	HEP00001-HEP99999	Turbocharged Single Head
CTP3126534B	Inframe OH Set					
CTP3126534C	Cylinder Head Repl. Gasket Set					
CTP3126535A	Out of Frame OH Gasket Set	3126E	230-8655	3126	HEP00001-HEP99999	Turbocharged Single Head
CTP3126535B	Inframe OH Set					
CTP3126535C	Cylinder Head Repl. Gasket Set					
CTP3126536A	Out of Frame OH Gasket Set	3126E	231-5396	3126	HEP00001-HEP99999	Turbocharged Single Head
CTP3126536B	Inframe OH Set					
CTP3126536C	Cylinder Head Repl. Gasket Set					
CTP3126537A	Out of Frame OH Gasket Set	3126E	231-5397	3126	HEP00001-HEP99999	Turbocharged Single Head
CTP3126537B	Inframe OH Set					
CTP3126537C	Cylinder Head Repl. Gasket Set					
CTP3126538A	Out of Frame OH Gasket Set	3126E	231-5398	3126	HEP00001-HEP99999	Turbocharged Single Head
CTP3126538B	Inframe OH Set					
CTP3126538C	Cylinder Head Repl. Gasket Set					
CTP3126539A	Out of Frame OH Gasket Set	3126E	231-5414	3126	HEP00001-HEP99999	
CTP3126540A	Out of Frame OH Gasket Set	3126E	231-5433	3126	HEP00001-HEP99999	Turbocharged Single Head
CTP3126540B	Inframe OH Set					
CTP3126540C	Cylinder Head Repl. Gasket Set					
CTP3126541A	Out of Frame OH Gasket Set	3126E	231-5444	3126	HEP00001-HEP99999	Turbocharged Single Head
CTP3126541B	Inframe OH Set					
CTP3126541C	Cylinder Head Repl. Gasket Set					
CTP3126542A	Out of Frame OH Gasket Set	3126E	231-5448	3126	HEP00001-HEP99999	Turbocharged Single Head
CTP3126542B	Inframe OH Set					
CTP3126542C	Cylinder Head Repl. Gasket Set					

Part Number	Description	Machine Model / Application	Engine Arrangement	Engine Model	Engine Serial No.	Comments
CTP3126543A	Out of Frame OH Gasket Set	3126E	231-5632	3126	HEP00001-HEP99999	Turbocharged Single Head
CTP3126543B	Inframe OH Set					
CTP3126543C	Cylinder Head Repl. Gasket Set					
CTP3126544A	Out of Frame OH Gasket Set	3126E	231-5637 231-5646	3126	HEP00001-HEP99999	Turbocharged Single Head
CTP3126544B	Inframe OH Set					
CTP3126544C	Cylinder Head Repl. Gasket Set					
CTP3126545A	Out of Frame OH Gasket Set	3126E	231-5662 231-5665 231-5676 231-5741 232-5331 232-5340	3126	HEP00001-HEP99999	Turbocharged Single Head
CTP3126545B	Inframe OH Set					
CTP3126545C	Cylinder Head Repl. Gasket Set					
CTP3126546A	Out of Frame OH Gasket Set	3126E	231-5668 231-5673	3126	HEP00001-HEP99999	Turbocharged Single Head
CTP3126546B	Inframe OH Set					
CTP3126546C	Cylinder Head Repl. Gasket Set					
CTP3126547A	Out of Frame OH Gasket Set	3126E	231-5672	3126	HEP00001-HEP99999	Turbocharged Single Head
CTP3126547B	Inframe OH Set					
CTP3126547C	Cylinder Head Repl. Gasket Set					
CTP3126548A	Out of Frame OH Gasket Set	3126E	232-5482 232-5483 232-5489	3126	HEP00001-HEP99999	Turbocharged Single Head
CTP3126548B	Inframe OH Set					
CTP3126548C	Cylinder Head Repl. Gasket Set					
CTP3126549A	Out of Frame OH Gasket Set	3126E	232-5486	3126	HEP00001-HEP99999	Turbocharged Single Head
CTP3126549B	Inframe OH Set					
CTP3126549C	Cylinder Head Repl. Gasket Set					
CTP3126550A	Out of Frame OH Gasket Set	3126E	232-5493 232-5578	3126	HEP00001-HEP99999	Turbocharged Single Head
CTP3126550B	Inframe OH Set					
CTP3126550C	Cylinder Head Repl. Gasket Set					

Part Number	Description	Machine Model / Application	Engine Arrangement	Engine Model	Engine Serial No.	Comments
CTP3126551A	Out of Frame OH Gasket Set	3126E	232-5577 238-7286	3126	HEP00001- HEP99999	Turbocharged Single Head
CTP3126551B	Inframe OH Set					
CTP3126551C	Cylinder Head Repl. Gasket Set					
CTP3126552A	Out of Frame OH Gasket Set	3126E	233-8926	3126	HEP00001- HEP99999	Turbocharged Single Head
CTP3126552B	Inframe OH Set					
CTP3126552C	Cylinder Head Repl. Gasket Set					
CTP3126553A	Out of Frame OH Gasket Set	3126E	237-1575	3126	HEP00001- HEP99999	Turbocharged Single Head
CTP3126553B	Inframe OH Set					
CTP3126553C	Cylinder Head Repl. Gasket Set					
CTP3126554A	Out of Frame OH Gasket Set	3126E	240-4330	3126	HEP00001- HEP99999	Turbocharged Single Head
CTP3126554B	Inframe OH Set					
CTP3126554C	Cylinder Head Repl. Gasket Set					
CTP3126555A	Out of Frame OH Gasket Set	322C	211-0750	3126	3AK00001- 3AK99999	
CTP3126555B	Inframe OH Set					
CTP3126555C	Cylinder Head Repl. Gasket Set					

3176

Part Number	Description	Machine Model / Application	Engine Arrangement	Engine Model	Engine Serial No.	Comments
CTP3176001A	Out of Frame OH Gasket Set	3176C INDUSTRIAL	1415095 / 1415094 1451709 / 1541659 1482109 / 1541661	3176	2AW223-UP	Turbocharged
CTP3176001B	Inframe OH Set					
CTP3176001C	Cylinder Head Repl. Gasket Set					
CTP3176002A	Out of Frame OH Gasket Set	TRUCK	111-2659	3176	9CK01-UP 9CK20359	Turbocharged
CTP3176002B	Inframe OH Set					
CTP3176002C	Cylinder Head Repl. Gasket Set					

Part Number	Description	Machine Model / Application	Engine Arrangement	Engine Model	Engine Serial No.	Comments
CTP3176003A	Out of Frame OH Gasket Set	345B EXCAVATOR	126-0054 173-0355	3176	7ZR00001- 7ZR99999	
CTP3176003B	Inframe OH Set					
CTP3176003C	Cylinder Head Repl. Gasket Set					
CTP3176004A	Out of Frame OH Gasket Set	966G II WHEEL LOADER	214-4619 220-0794	3176	3PD00001- 3PD99999	
CTP3176004B	Inframe OH Set					
CTP3176004C	Cylinder Head Repl. Gasket Set					
CTP3176005A	Out of Frame OH Gasket Set	D7R II TRACK-TYPE TRACTOR	160-8560	3176	7ZR00001- 7ZR06436	
CTP3176005B	Inframe OH Set		248-6391		7ZR00001- 7ZR99999	
CTP3176005C	Cylinder Head Repl. Gasket Set					

3196

Part Number	Description	Machine Model / Application	Engine Arrangement	Engine Model	Engine Serial No.	Comments
CTP3196001A	Out of Frame OH Gasket Set	972G II WHEEL LOADER	180-3195 223-1559 223-1557	3196	5ED01-5EDUP	Turbocharged
CTP3196001B	Inframe OH Set					
CTP3196001C	Cylinder Head Repl. Gasket Set					

3204

Part Number	Description	Machine Model / Application	Engine Arrangement	Engine Model	Engine Serial No.	Comments
CTP3204001A	Out of Frame OH Gasket Set	943 TRACK LOADER 215 EXCAVATOR 953 TRACK LOADER	6N-6626	3204	10X05369-UP	
CTP3204001B	Inframe OH Set					
CTP3204001C	Cylinder Head Repl. Gasket Set					
CTP3204002A	Out of Frame OH Gasket Set	D4B / D4C II TRACK-TYPE TRACTOR	7C-7739	3204	45V60736- 45VUP	Turbocharged
CTP3204002B	Inframe OH Set		9Y-0792		45V69350- 45VUP	
CTP3204002C	Cylinder Head Repl. Gasket Set		4P-0909		45V90750-UP; 7YJ1-UP	

Part Number	Description	Machine Model / Application	Engine Arrangement	Engine Model	Engine Serial No.	Comments
CTP3204003A	Out of Frame OH Gasket Set	D4C / D4H / D5C TRACK-TYPE TRACTOR	1N-3610 1N-3608	3204	7YJ01-7YJUP 45V47658-45VUP	Turbocharged
CTP3204003B	Inframe OH Set					
CTP3204003C	Cylinder Head Repl. Gasket Set					

3208

Part Number	Description	Machine Model / Application	Engine Arrangement	Engine Model	Engine Serial No.	Comments
CTP3208001A	Out of Frame OH Gasket Set	Truck Industrial Marine 613B		3208 NA	32Y1-UP 40S1-UP 51Z1-UP 90N1-UP 29A225-UP 79V5381-UP	Non Turbocharged Engine
CTP3208001B	Inframe OH Set					
CTP3208001C	Multiple Cyl. Head Repl. Gasket Set					
CTP3208001D	Single Cyl. Head Repl. Gasket Set					
CTP3208002A	Out of Frame OH Gasket Set	Truck Industrial Generator Marine		3208T	2Z1-UP 3Z1-UP 30A210-UP	Turbocharged Engine
CTP3208002B	Inframe OH Set					
CTP3208002C	Multiple Cyl. Head Repl. Gasket Set					
CTP3208002D	Single Cyl. Head Repl. Gasket Set					
CTP3208003A	Out of Frame OH Gasket Set	Marine	2W6558	3208	79V11044-UP	Turbocharged
CTP3208003B	Inframe OH Set					
CTP3208003C	Multiple Cyl. Head Repl. Gasket Set					
CTP3208003D	Single Cyl. Head Repl. Gasket Set					
CTP3208004A	Out of Frame OH Gasket Set	Marine		3208	75V01-UP 1Z101-UP	Turbocharged
CTO3208004B	Inframe OH Set					
CTP3208004C	Multiple Cyl. Head Repl. Gasket Set					
CTP3208004D	Single Cyl. Head Repl. Gasket Set					

Part Number	Description	Machine Model / Application	Engine Arrangement	Engine Model	Engine Serial No.	Comments
CTP3208005A	Out of Frame OH Gasket Set	3208NA		3208	79V01-UP 79V04927-UP	Turbocharged
CTP3208005B	Inframe OH Set					
CTP3208005C	Cylinder Head Repl. Gasket Set					
CTP3208005D	Single Cyl. Head Repl. Gasket Set					
CTP3208006A	Out of Frame OH Gasket Set	Marine		3208	1Z101-UP	
CTP3208006B	Inframe OH Set					
CTP3208006C	Cylinder Head Repl. Gasket Set					
CTP3208006D	Single Cyl. Head Repl. Gasket Set					
CTP3208007A	Out of Frame OH Gasket Set	Marine	1W0356	3208	75V09526-UP 75V09712-UP	Turbocharged
CTP3208007B	Inframe OH Set					
CTP3208007C	Multiple Cyl. Head Repl. Gasket Set					
CTP3208007D	Single Cyl. Head Repl. Gasket Set					
CTP3208008A	Out of Frame OH Gasket Set	Marine	8N-3527		75V04283-75V99999	
CTP3208008B	Inframe OH Set					
CTP3208008C	Multiple Cyl. Head Repl. Gasket Set	Industrial	2W-8219		03Z02551-03Z99999	
CTP3208008D	Single Cyl. Head Repl. Gasket Set					
CTP3208009A	Out of Frame OH Gasket Set	3208 Truck			02Z00001-UP	
CTP3208009B	Inframe OH Set					
CTP3208009C	Multiple Cyl. Head Repl. Gasket Set					
CTP3208009D	Single Cyl. Head Repl. Gasket Set					
CTP3208010A	Out of Frame OH Gasket Set	3208 Truck				
CTP3208010B	Inframe OH Set					
CTP3208010C	Multiple Cyl. Head Repl. Gasket Set					
CTP3208010D	Single Cyl. Head Repl. Gasket Set					

Part Number	Description	Machine Model / Application	Engine Arrangement	Engine Model	Engine Serial No.	Comments
CTP3304001A	Out of Frame OH Gasket Set	120G MOTOR GRADER	3P-0134	3304	78P00001-78P40899	Turbocharged Single Head
CTP3304001B	Inframe OH Set					
CTP3304001C	Cylinder Head Repl. Gasket Set					
CTP3304002A	Out of Frame OH Gasket Set	120G MOTOR GRADER	7N-1528	3304	78P00001-78P99999	Turbocharged Single Head
CTP3304002B	Inframe OH Set					
CTP3304002C	Cylinder Head Repl. Gasket Set	130G MOTOR GRADER	7N-1526		78P40900-78P99999	
CTP3304003A	Out of Frame OH Gasket Set	130G MOTOR GRADER	3P-0136	3304	78P00001-78P40899	Turbocharged Single Head
CTP3304003B	Inframe OH Set					
CTP3304003C	Cylinder Head Repl. Gasket Set		8N-0191			
CTP3304004A	Out of Frame OH Gasket Set	130G MOTOR GRADER	1P-6493	3304	78P00001-78P99999	Turbocharged Single Head
CTP3304004B	Inframe OH Set					
CTP3304004C	Cylinder Head Repl. Gasket Set					
CTP3304005A	Out of Frame OH Gasket Set	518 SKIDDER	2P-6784	3304	78P00001-78P11062	Turbocharged Single Head
CTP3304005B	Inframe OH Set					
CTP3304005C	Cylinder Head Repl. Gasket Set					
CTP3304006A	Out of Frame OH Gasket Set	518 SKIDDER	4N-3976	3304	78P11063-78P40899	Turbocharged Single Head
CTP3304006B	Inframe OH Set					
CTP3304006C	Cylinder Head Repl. Gasket Set					
CTP3304007A	Out of Frame OH Gasket Set	518 SKIDDER	7N-1523	3304	78P47088-78P99999	Turbocharged Single Head
CTP3304007B	Inframe OH Set					
CTP3304007C	Cylinder Head Repl. Gasket Set					

Part Number	Description	Machine Model / Application	Engine Arrangement	Engine Model	Engine Serial No.	Comments
CTP3304008A	Out of Frame OH Gasket Set	920 WHEEL LOADER	2P-6777	3304	78P00001-78P08214	Turbocharged Single Head
CTP3304008B	Inframe OH Set					
CTP3304008C	Cylinder Head Repl. Gasket Set					
CTP3304009A	Out of Frame OH Gasket Set	920 WHEEL LOADER	4N-3802	3304	78P08215-78P22209	Turbocharged Single Head
CTP3304009B	Inframe OH Set					
CTP3304009C	Cylinder Head Repl. Gasket Set					
CTP3304010A	Out of Frame OH Gasket Set	920 WHEEL LOADER	7N-1515	3304	78P40900-78P99999	Turbocharged Single Head
CTP3304010B	Inframe OH Set	930 WHEEL LOADER	7N-1522			
CTP3304010C	Cylinder Head Repl. Gasket Set	D4E TRACTOR POWERSHIFT	7N-1516			
CTP3304011A	Out of Frame OH Gasket Set	930 WHEEL LOADER	2P-6782	3304	78P00001-78P05303	Turbocharged Single Head
CTP3304011B	Inframe OH Set					
CTP3304011C	Cylinder Head Repl. Gasket Set					
CTP3304012A	Out of Frame OH Gasket Set	930 WHEEL LOADER	4N-3807	3304	78P05304-78P40899	Turbocharged Single Head
CTP3304012B	Inframe OH Set					
CTP3304012C	Cylinder Head Repl. Gasket Set					
CTP3304013A	Out of Frame OH Gasket Set	941B TRAXCAVATOR	2P-6776	3304	78P00001-78P07424	Turbocharged Single Head
CTP3304013B	Inframe OH Set					
CTP3304013C	Cylinder Head Repl. Gasket Set					
CTP3304014A	Out of Frame OH Gasket Set	941B TRAXCAVATOR	4N-3801	3304	78P07425-78P40899	Turbocharged Single Head
CTP3304014B	Inframe OH Set					
CTP3304014C	Cylinder Head Repl. Gasket Set					
CTP3304015A	Out of Frame OH Gasket Set	941B TRAXCAVATOR	7N-1519	3304	78P40900-78P99999	Turbocharged Single Head
CTP3304015B	Inframe OH Set					
CTP3304015C	Cylinder Head Repl. Gasket Set					

Part Number	Description	Machine Model / Application	Engine Arrangement	Engine Model	Engine Serial No.	Comments
CTP3304016A	Out of Frame OH Gasket Set	950 WHEEL LOADER	2P-6785	3304	78P00001-78P09706	Turbocharged Single Head
CTP3304016B	Inframe OH Set					
CTP3304016C	Cylinder Head Repl. Gasket Set					
CTP3304017A	Out of Frame OH Gasket Set	950 WHEEL LOADER	4N-3975	3304	78P09707-78P40899	Turbocharged Single Head
CTP3304017B	Inframe OH Set					
CTP3304017C	Cylinder Head Repl. Gasket Set					
CTP3304018A	Out of Frame OH Gasket Set	950 WHEEL LOADER	7N-1525	3304	78P40900-78P99999	Turbocharged Single Head
CTP3304018B	Inframe OH Set					
CTP3304018C	Cylinder Head Repl. Gasket Set					
CTP3304019A	Out of Frame OH Gasket Set	951C TRAXCAVATOR	2P-6779	3304	78P00001-78P40899	Turbocharged Single Head
CTP3304019B	Inframe OH Set					
CTP3304019C	Cylinder Head Repl. Gasket Set					
CTP3304020A	Out of Frame OH Gasket Set	951C TRAXCAVATOR	7N-1521	3304	78P40900-78P99999	Turbocharged Single Head
CTP3304020B	Inframe OH Set					
CTP3304020C	Cylinder Head Repl. Gasket Set					
CTP3304021A	Out of Frame OH Gasket Set	955L TRAXCAVATOR	2P-6783	3304	78P00001-78P07424	Turbocharged Single Head
CTP3304021B	Inframe OH Set					
CTP3304021C	Cylinder Head Repl. Gasket Set					
CTP3304022A	Out of Frame OH Gasket Set	955L TRAXCAVATOR	4N-3974	3304	78P07425-78P40899	Turbocharged Single Head
CTP3304022B	Inframe OH Set					
CTP3304022C	Cylinder Head Repl. Gasket Set					
CTP3304023A	Out of Frame OH Gasket Set	955L TRAXCAVATOR	7N-1524	3304	78P40900-78P99999	Turbocharged Single Head
CTP3304023B	Inframe OH Set					
CTP3304023C	Cylinder Head Repl. Gasket Set					

Part Number	Description	Machine Model / Application	Engine Arrangement	Engine Model	Engine Serial No.	Comments
CTP3304024A	Out of Frame OH Gasket Set	D4E TRACTOR POWERSHIFT	4N-3799	3304	78P05248-78P34853	Turbocharged Single Head
CTP3304024B	Inframe OH Set					
CTP3304024C	Cylinder Head Repl. Gasket Set					
CTP3304025A	Out of Frame OH Gasket Set	D4E TRACTOR POWERSHIFT	4N-3803	3304	78P22210-78P99999	Turbocharged Single Head
CTP3304025B	Inframe OH Set					
CTP3304025C	Cylinder Head Repl. Gasket Set					
CTP3304026A	Out of Frame OH Gasket Set	D4E TRACTOR POWERSHIFT	4N-3806	3304	78P22210-78P99999	Turbocharged Single Head
CTP3304026B	Inframe OH Set					
CTP3304026C	Cylinder Head Repl. Gasket Set					
CTP3304027A	Out of Frame OH Gasket Set	D4E TRACTOR POWERSHIFT	7N-1517	3304	78P40900-78P99999	Turbocharged Single Head
CTP3304027B	Inframe OH Set					
CTP3304027C	Cylinder Head Repl. Gasket Set					
CTP3304028A	Out of Frame OH Gasket Set	D4E TRACTOR POWERSHIFT	7N-1520	3304	78P40900-78P99999	Turbocharged Single Head
CTP3304028B	Inframe OH Set					
CTP3304028C	Cylinder Head Repl. Gasket Set					
CTP3304029A	Out of Frame OH Gasket Set	MACHINE	1W-4584	3304	12211007-12299999	Turbocharged Single Head
CTP3304029B	Inframe OH Set					
CTP3304029C	Cylinder Head Repl. Gasket Set					
CTP3304030A	Out of Frame OH Gasket Set	MACHINE	4W-3918	3304	10E00815-10E99999	Turbocharged Single Head
CTP3304030B	Inframe OH Set		111-8013		10E04554-10E99999	
CTP3304030C	Cylinder Head Repl. Gasket Set					
CTP3304031A	Out of Frame OH Gasket Set	MACHINE	7N-1131	3304	07Z00001-07Z99999	Turbocharged Single Head
CTP3304031B	Inframe OH Set		8N-3073		07Z00257-07Z99999	
CTP3304031C	Cylinder Head Repl. Gasket Set					

Part Number	Description	Machine Model / Application	Engine Arrangement	Engine Model	Engine Serial No.	Comments
CTP3304032A	Out of Frame OH Gasket Set	MACHINE	7N-3586	3304	43V10671-43V18853	Turbocharged Single Head
CTP3304032B	Inframe OH Set		4N-3803		43V02317-43V10505	
CTP3304032C	Cylinder Head Repl. Gasket Set		4N-3974		43V03842-43V10637	
CTP3304033A	Out of Frame OH Gasket Set	D4D / D4E TRACK-TYPE TRACTOR	6A-3021 6A-5543 6A-5544 6A-7358	3304	07R01-07R00462 48V01-48V10235 48V01-48V99999 43V10506-43VUP	Turbocharged
CTP3304033B	Inframe OH Set					
CTP3304033C	Cylinder Head Repl. Gasket Set					
CTP3304034A	Out of Frame OH Gasket Set	D4E TRACTOR-SPECIAL APPLICAT DIRECT DRIVE	2Y-9470 2Y-8608 2Y-9471	3304	46V9547-UP 4YD1-UP 59Z1974-UP	Turbocharged
CTP3304034B	Inframe OH Set					
CTP3304034C	Cylinder Head Repl. Gasket Set					
CTP3304035A	Out of Frame OH Gasket Set	D4E TRACTORS POWER SHIFT / TRACK-TYPE TRACTOR	2Y-6294 2Y-7229	3304	59Z1-UP	Turbocharged
CTP3304035B	Inframe OH Set					
CTP3304035C	Cylinder Head Repl. Gasket Set		2Y-9364		59Z1927-UP	
CTP3304036A	Out of Frame OH Gasket Set	D4E TRACK-TYPE TRACTOR	6C-0113	3304	12Z02795-12ZUP	Turbocharged
CTP3304036B	Inframe OH Set		5C-8753		12Z01-12ZUP	
CTP3304036C	Cylinder Head Repl. Gasket Set		5C-5463		48V01-48VUP	
CTP3304037A	Out of Frame OH Gasket Set	D4E TRACK-TYPE TRACTOR 930 / 930R / 930T WHEEL LOADER	2Y-8609 2Y-2007	3304	9CB1700-UP 46V04786-46VUP	Turbocharged
CTP3304037B	Inframe OH Set					
CTP3304037C	Cylinder Head Repl. Gasket Set		9Y-6295 9Y-9510 9Y-9510		46V08454-46VUP 9CB01-UP 9CB01-UP	
CTP3304038A	Out of Frame OH Gasket Set	D4E SR TRACK-TYPE TRACTOR DIRECT DRIVE	132-2010	3304	07Z32317-UP	Turbocharged
CTP3304038B	Inframe OH Set					
CTP3304038C	Cylinder Head Repl. Gasket Set					
CTP3304039A	Out of Frame OH Gasket Set	D5H / D4H / D4H XL D4H LGP SERIES III TRACK-TYPE TRACTOR D4H LGP TRACK-TYPE TRACTOR DIRECT DRIVE	4P-0903	3304	09Z09370-09ZUP	Turbocharged
CTP3304039B	Inframe OH Set					
CTP3304039C	Cylinder Head Repl. Gasket Set		4P-9078		09Z10600-UP	

Part Number	Description	Machine Model / Application	Engine Arrangement	Engine Model	Engine Serial No.	Comments
CTP3304040A	Out of Frame OH Gasket Set	950B / 950E WHEEL LOADER	6N-6878 9Y-1720 5C-8862	3304	09Z00254-09ZUP 09Z07617-09ZUP 12Z01-12ZUP	Turbocharged
CTP3304040B	Inframe OH Set					
CTP3304040C	Cylinder Head Repl. Gasket Set					
CTP3304041A	Out of Frame OH Gasket Set	920 / 930 / 950 WHEEL LOADER	6A-4615 6A-4616 6A-4617	3304	48V01-48V14144	Turbocharged
CTP3304041B	Inframe OH Set					
CTP3304041C	Cylinder Head Repl. Gasket Set					
CTP3304042A	Out of Frame OH Gasket Set	930R / 930T WHEEL LOADER	2Y-9463	3304	59Z1930-UP	Turbocharged
CTP3304042B	Inframe OH Set					
CTP3304042C	Cylinder Head Repl. Gasket Set					

3306

Part Number	Description	Machine Model / Application	Machine Serial Number	Engine Model	Engine Serial No.	Comments
CTP3306001A	Out of Frame OH Gasket Set	D6D, D6E, D6H, 12G, 12H, 14G, 140G, 528	3X; 4X; 5X; 6X; 9X; 20X; 30X; 31X; 32X; 33X; 8KB; 4RC; 7PC; 8FC; 8YC; 1KD; 2KD; 3ED; 3ZF; 4YF; 5HF; 6CF; 2TG; 3YG; 4LG; 1FJ; 3VJ; 2KD; 2MJ	3306	08Z1-UP 10Z1-UP 13Z1-UP 08TD1-UP	Spacer Plated Turbocharged *For Aftercooled Units Order 1 CTP-5P8772
CTP3306001B	Inframe OH Set					
CTP3306001C	Cylinder Head Repl. Gasket Set					
CTP3306002A	Out of Frame OH Gasket Set	Industrial		3306B	7JB1-UP 5JC1-UP 8JJ1-UP 6PK1-UP 1CZ1-UP 64Z1-UP 85Z1-UP	Spacer Plated Turbocharged *For Aftercooled Units Order 1 CTP-5P8772 For Units With Expansion Tanks Order 1 CTP-6V0621
CTP3306002B	Inframe OH Set					
CTP3306002C	Cylinder Head Repl. Gasket Set					
CTP3306003A	Out of Frame OH Gasket Set	D5 D5B 12F 12G 561C 561D	48X1-UP; 49X1296-UP; 89H1-UP; 61M1-UP; 13K1-UP; 85H1-UP; 92J1-UP	3306	44V22231-UP 3N79763-UP	Spacer Plated Non Turbocharged PC. Engine
CTP3306003B	Inframe OH Set					
CTP3306003C	Cylinder Head Repl. Gasket Set					

Part Number	Description	Machine Model / Application	Machine Serial Number	Engine Model	Engine Serial No.	Comments
CTP3306004A	Out of Frame OH Gasket Set	D6D; D7G 14E; 14G 140G; 235 528; 571F 571G; 572F 572G; 627 627B	3X; 4X; 5X; 6X; 19X; 20X; 30X; 31X; 32X; 35N; 64V; 65V; 91V; 92V; 44W; 72W; 72G; 12K; 72V; 81V; 13W; 32K; 62X; 81X; 51S; 78W; 95N; 40U; 14S	3306	3N79763-UP 44V22287-UP 44V22351-UP 44V22403-UP 62Z1 -UP	Spacer Plated Turbocharged P.C. Engine *For Aftercooled Units Order 1 CTP-5P8772
CTP3306004B	Inframe OH Set					
CTP3306004C	Cylinder Head Repl. Gasket Set					
CTP3306005A	Out of Frame OH Gasket Set	D5; D5B D6C D6D 12F 12G 12H 561C 561D	48X1-UP; 9X1-1295 19X1-UP; 20X1-UP 46J1-UP; 47J1-UP 89H1-UP; 61M1-UP 13K1-UP; 32C1-UP 64U1-UP; 85H1-UP 92J1-UP	3306	44V1-22230 44V1-22252 3N1-79762 49V1-24230 47V1-UP 60Z1-UP	Non Spacer Plated P.C. Engine Non Turbocharged *For Aftercooled Units Order 1 CTP-5P8772
CTP3306005B	Inframe OH Set					
CTP3306005C	Cylinder Head Repl. Gasket Set					
CTP3306007A	Out of Frame OH Gasket Set					D5B 12G 12H 561D
CTP3306007B	Inframe OH Set					
CTP3306007C	Cylinder Head Repl. Gasket Set					
CTP3306008A	Out of Frame OH Gasket Set	Truck		3306	76R273-UP	Spacer Plate P.C. Engine Turbocharged *For Aftercooled Units Order 1 CTP-5P8772
CTP3306008B	Inframe OH Set					
CTP3306008C	Cylinder Head Repl. Gasket Set					
CTP3306009A	Out of Frame OH Gasket Set	Truck		3306B	63Z1-UP 5KD1-UP	D.I. Engine Spacer Plate Turbocharged *For Aftercooled Units Order 1 CTP-5P8772
CTP3306009B	Inframe OH Set					
CTP3306009C	Cylinder Head Repl. Gasket Set					
CTP3306010A	Out of Frame OH Gasket Set	D6C	10K7953UP 46J869-UP 47J2560-UP 99J1754-UP 69U316-UP 17R465-UP	3306	49V 3N	Non Spacer Plated Turbocharged *For Aftercooled Units Order 1 CTP-5P8772
CTP3306010B	Inframe OH Set					
CTP3306010C	Cylinder Head Repl. Gasket Set					
CTP3306011A	Out of Frame OH Gasket Set	D6D D7G 571F 571G 572F 572G	3X; 4X; 5X; 6X; 19X; 20X; 30X; 31X; 32X; 35N; 64V; 5V; 91V; 91V; 92V; 44W; 72W; 95N; 16W; 96N; 40U	3306	3N1 -77760 3N1 -79762 44V1 -22286 44V1 -22350 47V1 -17093	Non Spacer Plated Turbocharged *For Aftercooled Units Order 1 CTP-5P8772
CTP3306011B	Inframe OH Set					
CTP3306011C	Cylinder Head Repl. Gasket Set					

Part Number	Description	Machine Model / Application	Machine Serial Number	Engine Model	Engine Serial No.	Comments
CTP3306012A	Out of Frame OH Gasket Set	627 Front 627 Rear 637 Rear 980B	54K1-842; 68M1-789; 50K1-831; 69M1-789; 64M198-381; 91N1-563; 92N1-232; 89P1-2167	3306	3N1	Non Spacer Plated Turbocharged P.C. Engine *For Aftercooled Units Order 1-CTP-5P8772
CTP3306012B	Inframe OH Set					
CTP3306012C	Cylinder Head Repl. Gasket Set					
CTP3306013A	Out of Frame OH Gasket Set	627 Front & Rear 627B Front & Rear	14S1- 37V1-UP 38V1-UP	3306	3N1-79762	Non Spacer Plated Turbocharged P.C. Engine *For Aftercooled Units Order 1-CTP-5P8772
CTP3306013B	Inframe OH Set					
CTP3306013C	Cylinder Head Repl. Gasket Set					
CTP3306014A	Out of Frame OH Gasket Set	14E 140 528	72G1-1340 12K1-2198 11R1-1690 14U1-430 51S1-67	3306	8Z1-UP 3N1-UP 12Z6564-UP	Non Spacer Plated Turbocharged P.C. Engine
CTP3306014B	Inframe OH Set					
CTP3306014C	Cylinder Head Repl. Gasket Set					
CTP3306015A	Out of Frame OH Gasket Set	14E 14G 140G 528	72G; 12K; 96U; 72V; 81V; 51S; 78W; 13W	3306	3N1-79762	Non Spacer Plated Turbocharged P.C. Engine
CTP3306015B	Inframe OH Set					
CTP3306015C	Cylinder Head Repl. Gasket Set					
CTP3306017A	Out of Frame OH Gasket Set	980B	89P	3306	3N1	Spacer Plated Turbocharged P.C. Engine *For Aftercooled Units Order 1-CTP-5P8772
CTP3306017B	Inframe OH Set					
CTP3306017C	Cylinder Head Repl. Gasket Set					
CTP3306018A	Out of Frame OH Gasket Set	STEIGER		3306	66D12370-26831	Spacer Plated P.C. Engine Turbocharged *For Aftercooled Units Order 1-CTP-5P8772
CTP3306018B	Inframe OH Set					
CTP3306018C	Cylinder Head Repl. Gasket Set					
CTP3306019A	Out of Frame OH Gasket Set	STEIGER		3306	66D26831-UP	Non Spacer Plated P.C. Engine Turbocharged *For Aftercooled Units Order 1-CTP-5P8772
CTP3306019B	Inframe OH Set					
CTP3306019C	Cylinder Head Repl. Gasket Set					

Part Number	Description	Machine Model / Application	Machine Serial Number	Engine Model	Engine Serial No.	Comments
CTP3306020A	Out of Frame OH Gasket Set	814	90P1-202; 91P1-527; 57U1-197; 30K1-1624; 76J1-6388; 42J1-3565; 11K1-5050; 48J1-1058	3306	3N 62Z 49V	Non Spacer Plated Turbocharged PC. Engine *For Aftercooled Units Order 1-5P8772
CTP3306020B	Inframe OH Set	815 816 966C				
CTP3306020C	Cylinder Head Repl. Gasket Set	977K 977L				
CTP3306021A	Out of Frame OH Gasket Set	814	14R1-UP 15R1-UP 76G, 76J, 30K 48J1-UP 14X1-UP 64X1-UP	3306	3N1-79762 49V1-24220	Non Spacer Plated Turbocharged PC. Engine *For Aftercooled Units Order 1-CTP-5P8772
CTP3306021B	Inframe OH Set	815 816 966C				
CTP3306021C	Cylinder Head Repl. Gasket Set	977K 977L				
CTP3306022A	Out of Frame OH Gasket Set	814	14R1-UP 15R1-UP 76G, 76J, 30K, 48J1-UP 11K1-UP 14X1-UP 64X1-UP	3306	3N79763-UP 44V22485-UP	Spacer Plated Turbocharged PC. Engine *For Aftercooled Units Order 1-CTP-5P8772
CTP3306022B	Inframe OH Set	815 816 966C				
CTP3306022C	Cylinder Head Repl. Gasket Set	966D 966E 977K 977L				
CTP3306023A	Out of Frame OH Gasket Set	814B 815B 816B 966C 966D 966E 966F 970F	15Z1-UP; 16Z1-UP 17Z1-UP; 35S1-UP 94X1-UP; 99Y1-UP 1SL1-UP; 3XJ1-UP 4YG1-UP; 8BG1-UP 9YJ1-UP; 7PL 1-UP 7SK1-UP; 9JK 1-UP	3306	8Z1-UP 10Z1-UP 13Z1-UP 8TD1-UP 6NC1-UP	Spacer Plated Turbocharged D.J. Engine *For Aftercooled Units Order 1-CTP-5P8772
CTP3306023B	Inframe OH Set	966D 966E 966F 970F				
CTP3306023C	Cylinder Head Repl. Gasket Set	966E 966F 970F				
CTP3306024A	Out of Frame OH Gasket Set	D7G D7H	91V; 92V; 72W, 5BF, 4FG; 77Z; 79Z; 80Z; 40U1; 5ZD1	3306	8Z1-UP 3N79763-UP	Spacer Plated Turbocharged D.I. Engine
CTP3306024B	Inframe OH Set	571F 571G 572F 572G				
CTP3306024C	Cylinder Head Repl. Gasket Set	572F 572G				
CTP3306025A	Out of Frame OH Gasket Set	Marine		3306	67D1-2863	Non Spacer Plated Turbocharged PC. Engine
CTP3306025B	Inframe OH Set					
CTP3306025C	Cylinder Head Repl. Gasket Set					
CTP3306026A	Out of Frame OH Gasket Set	Marine		3306	67D2864-UP	Spacer Plated Turbocharged
CTP3306026B	Inframe OH Set					
CTP3306026C	Cylinder Head Repl. Gasket Set					
CTP3306027A	Out of Frame OH Gasket Set	Marine		3306	84Z1-UP	Spacer Plated Turbocharged
CTP3306027B	Inframe OH Set					
CTP3306027C	Cylinder Head Repl. Gasket Set					

Part Number	Description	Machine Model / Application	Machine Serial Number	Engine Model	Engine Serial No.	Comments
CTP3306028A	Out of Frame OH Gasket Set	Natural Gas		3306	7Y291 - UP	N/A & Turbocharged Spacer Plated *For Units With Expansion Tanks Order 1-CTP-6V0621 *For Units With Long Valve Train, Order 1-CTP-8S1605 Additional Valve Cover Gasket
CTP3306028B	Inframe OH Set					
CTP3306028C	Cylinder Head Repl. Gasket Set					
CTP3306029A	Out of Frame OH Gasket Set	D25C; D25D; D30C; D30D; D35C; D250B; D250E; D300B; D300D; D330E; D350C; D350D	9YC1-UP; 1HK1-UP 7ZC1-UP; 3AJ1-UP 2GD1-UP; 5WD1-UP 5TN1-UP; 4SD1-UP 5MG1-UP; 7FN1-UP 8XC1-UP; 9RF1-UP	3306	13Z1-UP 7JB1-UP	Spacer Plated Turbocharged D.J. Engine *For Aftercooled Units Order 1-CTP-5P8772
CTP3306029B	Inframe OH Set					
CTP3306029C	Cylinder Head Repl. Gasket Set					
CTP3306030A	Out of Frame OH Gasket Set	Industrial		3306	66D1-UP	Spacer Plated Turbocharged Or Non Turbocharged *For Aftercooled Units Order 1-CTP-5P8772 For Units With Expansion Tanks Order 1 CTP-6V0621
CTP3306030B	Inframe OH Set					
CTP3306030C	Cylinder Head Repl. Gasket Set					
CTP3306031A	Out of Frame OH Gasket Set	Industrial		3306	66D1-UP 62M1-UP MILITARY	Non Spacer Plated Turbocharged Or Non Turbocharged *For Aftercooled Units Order 1-CTP-5P8772
CTP3306031B	Inframe OH Set					
CTP3306031C	Cylinder Head Repl. Gasket Set					
CTP3306032A	Out of Frame OH Gasket Set	627E Front 627E Rear	6EB 1 - UP; 6GB 1 - UP; 6FB 1 - UP; 6HB 1 - UP	3306	8233294-UP 8233309-UP	Spacer Plated Turbocharged D.J. Engine *For Aftercooled Units Order 1-CTP-5P8772
CTP3306032B	Inframe OH Set					
CTP3306032C	Cylinder Head Repl. Gasket Set					
CTP3306033A	Out of Frame OH Gasket Set	615 FRONT 615C FRONT 627B FRONT **627E REAR **627F REAR **637D REAR	46Z1-UP; 5TF1-UP; 9XG1-UP; 2XG1-UP; 14S1-UP; 15S1-UP; 37V1-UP; 38V1-UP; 3WJ1-UP; 4YK1-UP; 20W1-UP; 1W1-UP; 22W1-UP; 23W1-UP; 4JB1-UP	3306	8Z1-UP 6NC1-UP	Spacer Plated Turbocharged D.J. Engine *For Aftercooled Units Order 1-CTP-5P8772
CTP3306033B	Inframe OH Set					
CTP3306033C	Cylinder Head Repl. Gasket Set					
CTP3306034A	Out of Frame OH Gasket Set	235; 235B; 235C; 235D 3008L 350; 350L E300; E300B EL300; EL300B	32K2677-UP; 64R1258-UP; 62X289-UP; 81X408-UP; 83X444-UP; 1FD1-UP; 4ED1-UP; 7WC1-UP; 9PC1-UP; 2PG1-UP; 3WG1-UP; 4DG1-UP; 5AF1-UP; 8KJ1-UP; 6DR1-UP; 2ZL1-UP; 3VL1-UP; 8HK1-UP; 9FL1-UP; 3CF101-UP; 1WJ1-UP; 4NF101-UP; 3FJ1-UP	3306	8Z1-UP 10Z9394-UP 13Z1-UP	Spacer Plated Turbocharged D.J. Engine *For Aftercooled Units Order 1-CTP-5P8772
CTP3306034B	Inframe OH Set					
CTP3306034C	Cylinder Head Repl. Gasket Set					

Part Number	Description	Machine Model / Application	Machine Serial Number	Engine Model	Engine Serial No.	Comments
CTP3306035A	Out of Frame OH Gasket Set	Truck		3306B 3306C	63Z1-UP 5KD1-UP 7RJ1-UP 9TL1-UP	Spacer Plated Turbocharged D.I. Engine *For Aftercooled Units Order 1-CTP-5P8772
CTP3306035B	Inframe OH Set					
CTP3306035C	Cylinder Head Repl. Gasket Set					
CTP3306036A	Out of Frame OH Gasket Set	CH65	7YC1-UP 2ZJ1-UP	3306	8Z1-UP	Spacer Plated Aftercooled D.I. Engine
CTP3306036B	Inframe OH Set	CH65B CH65C				
CTP3306036C	Cylinder Head Repl. Gasket Set	CH65D				
CTP3306037A	Out of Frame OH Gasket Set	235 970	7N-1291 135-3684	3306	13Z00943-UP 13Z36957-UP	
CTP3306037B	Inframe OH Set					
CTP3306037C	Cylinder Head Repl. Gasket Set					
CTP3306038A	Out of Frame OH Gasket Set	621	7W-6847	3306	1AF00001-UP	
CTP3306038B	Inframe OH Set	D6	5Y-1001			
CTP3306038C	Cylinder Head Repl. Gasket Set					
CTP3306039A	Out of Frame OH Gasket Set	966	7N-3601	3306	44V11740-UP 44V12221-UP 44V11794-UP	
CTP3306039B	Inframe OH Set	D6	7N-3599			
CTP3306039C	Cylinder Head Repl. Gasket Set	977	7N-3602			
CTP3306040A	Out of Frame OH Gasket Set	814 D6	6A-3819	3306	49V00001-UP	
CTP3306040B	Inframe OH Set		7S-4456			
CTP3306040C	Cylinder Head Repl. Gasket Set					
CTP3306041A	Out of Frame OH Gasket Set	966G MA-CHINE	147-1850	3306	13Z01-UP	
CTP3306041B	Inframe OH Set					
CTP3306041C	Cylinder Head Repl. Gasket Set					
CTP3306042A	Out of Frame OH Gasket Set	TRUCK	4P9855	3306C	7RJ01-UP	
CTP3306042B	Inframe OH Set					
CTP3306042C	Cylinder Head Repl. Gasket Set					

Part Number	Description	Machine Model / Application	Machine Serial Number	Engine Model	Engine Serial No.	Comments
CTP3306043A	Out of Frame OH Gasket Set	966	106-3145	3306	08Z00001-08Z99999 6NC00001-6NC99999	
CTP3306043B	Inframe OH Set					
CTP3306043C	Cylinder Head Repl. Gasket Set					
CTP3306044A	Out of Frame OH Gasket Set	966	106-3145	3306	13Z30334-13Z99999	
CTP3306044B	Inframe OH Set					
CTP3306044C	Cylinder Head Repl. Gasket Set					
CTP3306045A	Out of Frame OH Gasket Set	966	122-4210	3306	08Z86460-08Z99999 6NC00001-6NC99999	
CTP3306045B	Inframe OH Set					
CTP3306045C	Cylinder Head Repl. Gasket Set					
CTP3306046A	Out of Frame OH Gasket Set	966	6I-2965	3306	08Z68825-08Z73987	
CTP3306046B	Inframe OH Set					
CTP3306046C	Cylinder Head Repl. Gasket Set					
CTP3306047A	Out of Frame OH Gasket Set	966F	6I-2965	3306	R6J00001-R6J99999	
CTP3306047B	Inframe OH Set					
CTP3306047C	Cylinder Head Repl. Gasket Set					

3406

Part Number	Description	Machine Model / Application	Machine Serial Number	Engine Model	Engine Serial No.	Comments
CTP3406001A	Out of Frame OH Gasket Set	Truck		3406	92U 5944 - UP	
CTP3406001B	Inframe OH Set					
CTP3406001C	Cylinder Head Repl. Gasket Set					

Part Number	Description	Machine Model / Application	Machine Serial Number	Engine Model	Engine Serial No.	Comments
CTP3406002A	Out of Frame OH Gasket Set	980C		3406	70V4683 -UP 11N1-1475 81Y1-UP	
CTP3406002B	Inframe OH Set					
CTP3406002C	Cylinder Head Repl. Gasket Set					
CTP3406003A	Out of Frame OH Gasket Set	D8N	9TC1-UP 1XJ1-UP	3406	9TC1-UP 1XJ1-UP	Non Aftercooled With 24 Bolt Flywheel Housin
CTP3406003B	Inframe OH Set					
CTP3406003C	Cylinder Head Repl. Gasket Set					
CTP3406004A	Out of Frame OH Gasket Set	Marine		3406B 3406C	4TB1-3481 4TB3482-UP	With 19 Bolt Flywheel Housing
CTP3406004B	Inframe OH Set					
CTP3406004C	Cylinder Head Repl. Gasket Set					
CTP3406005A	Out of Frame OH Gasket Set	D8N	7TK1-UP	3406	11N7050-UP	Aftercooled With 19 Bolt Flywheel Housing
CTP3406005B	Inframe OH Set					
CTP3406005C	Cylinder Head Repl. Gasket Set					
CTP3406006A	Out of Frame OH Gasket Set	824C 825C 826C 980F	85X1194-UP 86X731-UP 87X587-UP 9HK 1 - UP 8CJ 1 - UP 8JN 1 - UP 5XJ 1 - UP	3406	70V21372-UP 11N1-UP	Spacer Plated Turbocharged Non Aftercooled With 19 Bolt Flywheel Housing
CTP3406006B	Inframe OH Set					
CTP3406006C	Cylinder Head Repl. Gasket Set					
CTP3406007A	Out of Frame OH Gasket Set	824C 825C 826C 980F 980G	85X1194-UP- 86X731-U; 7X587- UP; 3HK1-UP; 8CJ1-UP; 8JN1- UP; 5XJ1-UP; 2KR1-UP; 9CM1- UP; 2SR1-UP	3406	70V21372- UP 11N1-UP 41Z1-UP	Spacer Plated Turbocharged Aftercooled With 24 Bolt Flywheel Housing
CTP3406007B	Inframe OH Set					
CTP3406007C	Cylinder Head Repl. Gasket Set					
CTP3406008A	Out of Frame OH Gasket Set	16G 16H	93U2679-UP 6ZJ1-UP	3406	70V36899-UP 11N1449-UP 41Z1-UP	DITA With 24 Bolt Flywheel Housing
CTP3406008B	Inframe OH Set					
CTP3406008C	Cylinder Head Repl. Gasket Set					
CTP3406009A	Out of Frame OH Gasket Set	D8N D8R	5TJ1UP 7XM1-UP 9EM1-UP	3406	11N4939-UP 11N12940-UP 41Z286-UP	Aftercooled With 24 Bolt Flywheel Housing
CTP3406009B	Inframe OH Set					
CTP3406009C	Cylinder Head Repl. Gasket Set					

Part Number	Description	Machine Model / Application	Machine Serial Number	Engine Model	Engine Serial No.	Comments
CTP3406010A	Out of Frame OH Gasket Set	Industrial		3406	2WB1-UP 6TB1-UP	Aftercooled Turbocharged With 19 Bolt Flywheel Housing
CTP3406010B	Inframe OH Set					
CTP3406010C	Cylinder Head Repl. Gasket Set					
CTP3406011A	Out of Frame OH Gasket Set	Truck		3406	92U1-5943	With Oil Feed Thru Studs Aftercooled Turbocharged With 19 Bolt Flywheel Housing
CTP3406011B	Inframe OH Set					
CTP3406011C	Cylinder Head Repl. Gasket Set					
CTP3406012A	Out of Frame OH Gasket Set	245	95V731-UP 82X475-UP 84X475-UP	3406	70V4578-UP	Spacer Plated Turbocharged Aftercooled Turbocharged PC. or D.I Engines With 19 Bolt Flywheel Housing
CTP3406012B	Inframe OH Set					
CTP3406012C	Cylinder Head Repl. Gasket Set					
CTP3406013A	Out of Frame OH Gasket Set	Truck		3406C	3ZJ16182- 60112 4CK846-UP 5KJ7800-UP	ATAAC (Air to Air Aftercooled) Turbocharged With 19 Bolt Flywheel Housing
CTP3406013B	Inframe OH Set					
CTP3406013C	Cylinder Head Repl. Gasket Set					
CTP3406014A	Out of Frame OH Gasket Set	Industrial		3406A	90U2159-UP 75Z1-UP	Aftercooled Turbocharged With 19 Bolt Flywheel Housing
CTP3406014B	Inframe OH Set					
CTP3406014C	Cylinder Head Repl. Gasket Set					
CTP3406015A	Out of Frame OH Gasket Set	Marine		3406A	92U721-UP	Aftercooled Turbocharged P.C. Engine With 19 Bolt Flywheel Housing
CTP3406015B	Inframe OH Set					
CTP3406015C	Cylinder Head Repl. Gasket Set					
CTP3406016A	Out of Frame OH Gasket Set	Marine		3406A	91U1-484	Aftercooled Turbocharged 19 Bolt Fly wheel Housing With Oil Feed Thru Studs
CTP3406016B	Inframe OH Set					
CTP3406016C	Cylinder Head Repl. Gasket Set					
CTP3406017A	Out of Frame OH Gasket Set	Industrial		3406C	3ER1-UP 1SS1-UP	Aftercooled Turbocharged 24 Bolt Flywheel Housing
CTP3406017B	Inframe OH Set					
CTP3406017C	Cylinder Head Repl. Gasket Set					

Part Number	Description	Machine Model / Application	Machine Serial Number	Engine Model	Engine Serial No.	Comments
CTP3406018A	Out of Frame OH Gasket Set	621B 623B	45P1-UP 46P1-UP	3406 FRONT	70V3145-UP	Spacer Plated Turbocharged Aftercooled Turbocharged PC. or D.I Engines With 19 Bolt Flywheel Housing
CTP3406018B	Inframe OH Set					
CTP3406018C	Cylinder Head Repl. Gasket Set					
CTP3406019A	Out of Frame OH Gasket Set	3406	4P-1074		2EK01-UP	
CTP3406019B	Inframe OH Set					
CTP3406019C	Cylinder Head Repl. Gasket Set		4P-2961		5YG00380-5YG00782	
CTP3406020A	Out of Frame OH Gasket Set	245B 245D	1SJ1-UP 6MF1-UP 4LK1-UP 7ZJ1-UP	3406	70V26356-UP 11N1-UP	Spacer Plated Turbocharged Aftercooled Turbocharged With 19 Bolt Flywheel Housing
CTP3406020B	Inframe OH Set					
CTP3406020C	Cylinder Head Repl. Gasket Set					
CTP3406021A	Out of Frame OH Gasket Set	STEIGER		3406	6TB3571-UP	Spacer Plated Aftercooled D.I Engine With 19 Bolt Flywheel Housing
CTP3406021B	Inframe OH Set					
CTP3406021C	Cylinder Head Repl. Gasket Set					
CTP3406022A	Out of Frame OH Gasket Set	Natural Gas		3406	4FD1-UP 1RK1-UP	Non Turbocharged Spacer Plated
CTP3406022B	Inframe OH Set					
CTP3406022C	Cylinder Head Repl. Gasket Set					
CTP3406023A	Out of Frame OH Gasket Set	16G 16H	93U1179-2678	3406	70V4105-UP	DITA With 24 Bolt Flywheel Housing
CTP3406023B	Inframe OH Set					
CTP3406023C	Cylinder Head Repl. Gasket Set					
CTP3406024A	Out of Frame OH Gasket Set	621E 623E 627E FRONT 627F FRONT	6AB1-UP; 2PD1-UP; 6CB1-UP; 6YF1-UP; 7CG1-UP; 1DL1-UP; 6BK1-UP	3406	70V3145-UP 11N1-UP	Spacer Plated Turbocharged Non Aftercooled With 19 Bolt Flywheel Housing
CTP3406024B	Inframe OH Set					
CTP3406024C	Cylinder Head Repl. Gasket Set					
CTP3406025A	Out of Frame OH Gasket Set	Natural Gas		G3406	4FD1-UP 1RK1-UP	Spacer Plated Turbocharged Aftercooled With 24 Bolt Flywheel Housing
CTP3406025B	Inframe OH Set					
CTP3406025C	Cylinder Head Repl. Gasket Set					

Part Number	Description	Machine Model / Application	Machine Serial Number	Engine Model	Engine Serial No.	Comments
CTP3406026A	Out of Frame OH Gasket Set	Truck		3406C	3ZJ60113-UP 8PN1-UP	ATAAC (Air to Air Aftercooled) With 24 Bolt Flywheel Housing With Round Exhaust Ports
CTP3406026B	Inframe OH Set					
CTP3406026C	Cylinder Head Repl. Gasket Set					
CTP3406027A	Out of Frame OH Gasket Set	621F FRONT 623F FRONT	4SK 1-UP 8PL1-UP 6BK1-UP	3406	11N7400-UP 41Z469-UP	Spacer Plated Turbocharged Engine With 24 Bolt Flywheel Housing
CTP3406027B	Inframe OH Set					
CTP3406027C	Cylinder Head Repl. Gasket Set					
CTP3406028A	Out of Frame OH Gasket Set	Truck		3406E	5EK1-UP 6TS1-UP 1LW1-UP 5DS1-UP 2WS1-UP	Spacer Plated Turbocharged Engine With 24 Bolt Flywheel Housing
CTP3406028B	Inframe OH Set					
CTP3406028C	Cylinder Head Repl. Gasket Set					
CTP3406029A	Out of Frame OH Gasket Set	Truck		3406E	2WS1-UP 1MM1-UP	Spacer Plated Turbocharged With 24 Bolt Flywheel Housing With Custom Molded Valve Cover Gasket
CTP3406029B	Inframe OH Set					
CTP3406029C	Cylinder Head Repl. Gasket Set					
CTP3406030A	Out of Frame OH Gasket Set	Industrial		3406C	4ZR1-UP 8FS1-UP 1DZ1-UP	Aftercooled Turbocharged With 19 Bolt Flywheel Housing
CTP3406030B	Inframe OH Set					
CTP3406030C	Cylinder Head Repl. Gasket Set					
CTP3406031A	Out of Frame OH Gasket Set	D400E	1406753 1195723	3406	41Z3852-13325 41Z13657-UP	Turbocharged Spacer plated Water aftercooled
CTP3406031B	Inframe OH Set					
CTP3406031C	Cylinder Head Repl. Gasket Set					
CTP3406032A	Out of Frame OH Gasket Set	D350E SERIES II ARTICULATED TRUCK	143-3020 143-3019	3406E	9AP00244-9AP99999	Turbocharged Single Head
CTP3406032B	Inframe OH Set	D400E SERIES II ARTICULATED TRUCK				
CTP3406032C	Cylinder Head Repl. Gasket Set	D400E SERIES II EJECTOR TRUCK				

Part Number	Description	Machine Model / Application	Machine Serial Number	Engine Model	Engine Serial No.	Comments
CTP3406033A	Out of Frame OH Gasket Set	3406E; 621F	160-0651	3406E	BET00001-BET99999	Turbocharged Single Head
CTP3406033B	Inframe OH Set	3406E; 621G	192-4242			
CTP3406033C	Cylinder Head Repl. Gasket Set	3406E; 623G	235-4690			
CTP3406034A	Out of Frame OH Gasket Set	3406E; 627G	160-0651 192-4242	3406E	BET00001-BET99999	Turbocharged Single Head
CTP3406034B	Inframe OH Set					
CTP3406034C	Cylinder Head Repl. Gasket Set					
CTP3406035A	Out of Frame OH Gasket Set	3406E ; 627G	235-4690	3406E	BET00001-BET99999	Turbocharged Single Head
CTP3406035B	Inframe OH Set					
CTP3406035C	Cylinder Head Repl. Gasket Set					
CTP3406036A	Out of Frame OH Gasket Set	3406E; 657B	249-9188	3406E	BET00001-BET99999	Turbocharged Single Head
CTP3406036B	Inframe OH Set					
CTP3406036C	Cylinder Head Repl. Gasket Set					
CTP3406037A	Out of Frame OH Gasket Set	3406E; 735	153-7076 235-4689 153-7076	3406E	BET00001-BET99999	Turbocharged Single Head
CTP3406037B	Inframe OH Set					
CTP3406037C	Cylinder Head Repl. Gasket Set					
CTP3406038A	Out of Frame OH Gasket Set	3406E; 735	153-7077 235-4688	3406E	BET00001-BET99999	Turbocharged Single Head
CTP3406038B	Inframe OH Set					
CTP3406038C	Cylinder Head Repl. Gasket Set					
CTP3406039A	Out of Frame OH Gasket Set	3406E; 980	169-4823	3406E	BET08237-BET99999	Turbocharged Single Head
CTP3406039B	Inframe OH Set					
CTP3406039C	Cylinder Head Repl. Gasket Set					
CTP3406040A	Out of Frame OH Gasket Set	3406E; 980	213-1942 235-1408 235-4678 235-4691	3406E	BET00001-BET99999	Turbocharged Single Head
CTP3406040B	Inframe OH Set					
CTP3406040C	Cylinder Head Repl. Gasket Set					

Part Number	Description	Machine Model / Application	Machine Serial Number	Engine Model	Engine Serial No.	Comments
CTP3406041A	Out of Frame OH Gasket Set	3406E; 980G	169-4823 213-1942 235-1408 235-4678	3406E	BET00001-BET99999	Turbocharged Single Head
CTP3406041B	Inframe OH Set					
CTP3406041C	Cylinder Head Repl. Gasket Set					
CTP3406042A	Out of Frame OH Gasket Set	3406E; 980G	235-4680 235-4691	3406E	BET00001-BET99999	Turbocharged Single Head
CTP3406042B	Inframe OH Set					
CTP3406042C	Cylinder Head Repl. Gasket Set					
CTP3406043A	Out of Frame OH Gasket Set	3406E; D8	157-7195	3406E	BET00001-BET99999	Turbocharged Single Head
CTP3406043B	Inframe OH Set					
CTP3406043C	Cylinder Head Repl. Gasket Set					
CTP3406044A	Out of Frame OH Gasket Set	3406E; D8	157-7196	3406E	BET00001-BET99999	Turbocharged Single Head
CTP3406044B	Inframe OH Set					
CTP3406044C	Cylinder Head Repl. Gasket Set					
CTP3406045A	Out of Frame OH Gasket Set	3406E; D8	235-4676 236-6210	3406E	BET00001-BET99999	Turbocharged Single Head
CTP3406045B	Inframe OH Set					
CTP3406045C	Cylinder Head Repl. Gasket Set					
CTP3406046A	Out of Frame OH Gasket Set	3406E; D8R	157-7195 157-7196 235-4676 236-6210	3406E	BET00001-BET99999	Turbocharged Single Head
CTP3406046B	Inframe OH Set					
CTP3406046C	Cylinder Head Repl. Gasket Set					
CTP3406047A	Out of Frame OH Gasket Set	3406E; 824G	188-2475	3406E	BKN00001-BKN99999	Turbocharged Single Head
CTP3406047B	Inframe OH Set					
CTP3406047C	Cylinder Head Repl. Gasket Set					
CTP3406048A	Out of Frame OH Gasket Set	3406E; 824G	235-4728	3406E	BKN00001-BKN99999	Turbocharged Single Head
CTP3406048B	Inframe OH Set					
CTP3406048C	Cylinder Head Repl. Gasket Set					

Part Number	Description	Machine Model / Application	Machine Serial Number	Engine Model	Engine Serial No.	Comments
CTP3406049A	Out of Frame OH Gasket Set	3406E TRUCK ENGINE	152-9983	3406E	1LW00333-1LW99999	Turbocharged Single Head
CTP3406049B	Inframe OH Set					
CTP3406049C	Cylinder Head Repl. Gasket Set					
CTP3406050A	Out of Frame OH Gasket Set	3406E TRUCK ENGINE	152-9984 155-3435	3406E	1LW00333-1LW99999	Turbocharged Single Head
CTP3406050B	Inframe OH Set					
CTP3406050C	Cylinder Head Repl. Gasket Set					
CTP3406051A	Out of Frame OH Gasket Set	Truck		3406B	7FB1-UP 4MG1-UP	JWAC (Jacket water aftercooled)
CTP3406051B	Inframe OH Set					
CTP3406051C	Cylinder Head Repl. Gasket Set					
CTP3406052A	Out of Frame OH Gasket Set	3406E TRUCK ENGINE	152-9985	3406E	1LW00333-1LW99999	Turbocharged Single Head
CTP3406052B	Inframe OH Set					
CTP3406052C	Cylinder Head Repl. Gasket Set					
CTP3406053A	Out of Frame OH Gasket Set	3406E TRUCK ENGINE	152-9986 153-5778 155-3203	3406E	1LW00333-1LW99999	Turbocharged Single Head
CTP3406053B	Inframe OH Set					
CTP3406053C	Cylinder Head Repl. Gasket Set					
CTP3406054A	Out of Frame OH Gasket Set	3406E TRUCK ENGINE	152-9989 153-5779 154-0947 154-1000	3406E	1LW00333-1LW99999	Turbocharged Single Head
CTP3406054B	Inframe OH Set					
CTP3406054C	Cylinder Head Repl. Gasket Set					
CTP3406055A	Out of Frame OH Gasket Set	3406E TRUCK ENGINE	153-5781	3406E	1LW04714-1LW99999	Turbocharged Single Head
CTP3406055B	Inframe OH Set					
CTP3406055C	Cylinder Head Repl. Gasket Set					
CTP3406056A	Out of Frame OH Gasket Set	3406E TRUCK ENGINE	153-5795	3406E	1LW00333-1LW99999	Turbocharged Single Head
CTP3406056B	Inframe OH Set					
CTP3406056C	Cylinder Head Repl. Gasket Set					

Part Number	Description	Machine Model / Application	Machine Serial Number	Engine Model	Engine Serial No.	Comments
CTP3406057A	Out of Frame OH Gasket Set	3406E TRUCK ENGINE	153-5796 155-3209 155-3220	3406E	1LW00333-1LW99999	Turbocharged Single Head
CTP3406057B	Inframe OH Set					
CTP3406057C	Cylinder Head Repl. Gasket Set					
CTP3406058A	Out of Frame OH Gasket Set	3406E TRUCK ENGINE	153-5861 155-3230 155-3260 155-3266	3406E	1LW00230-1LW99999	Turbocharged Single Head
CTP3406058B	Inframe OH Set					
CTP3406058C	Cylinder Head Repl. Gasket Set					
CTP3406059A	Out of Frame OH Gasket Set	3406E TRUCK ENGINE	154-1133	3406E	1LW00333-1LW99999	Turbocharged Single Head
CTP3406059B	Inframe OH Set					
CTP3406059C	Cylinder Head Repl. Gasket Set					
CTP3406060A	Out of Frame OH Gasket Set	3406E TRUCK ENGINE	155-3208	3406E	1LW00333-1LW99999	Turbocharged Single Head
CTP3406060B	Inframe OH Set					
CTP3406060C	Cylinder Head Repl. Gasket Set					
CTP3406061A	Out of Frame OH Gasket Set	Truck		3406B	7FB1-UP 4MG1-UP 5KJ1-7999 8TC1-UP 3ZJ1-16181	ATAAC (Air to Air Aftercooled)
CTP3406061B	Inframe OH Set					
CTP3406061C	Cylinder Head Repl. Gasket Set					
CTP3406062A	Out of Frame OH Gasket Set	3406E TRUCK ENGINE	155-3210	3406E	1LW00333-1LW99999	Turbocharged Single Head
CTP3406062B	Inframe OH Set					
CTP3406062C	Cylinder Head Repl. Gasket Set					
CTP3406063A	Out of Frame OH Gasket Set	3406E TRUCK ENGINE	155-3211	3406E	1LW00333-1LW99999	Turbocharged Single Head
CTP3406063B	Inframe OH Set					
CTP3406063C	Cylinder Head Repl. Gasket Set					
CTP3406064A	Out of Frame OH Gasket Set	3406E TRUCK ENGINE	155-3212 155-3213 155-3215 155-3223	3406E	1LW00333-1LW99999	Turbocharged Single Head
CTP3406064B	Inframe OH Set					
CTP3406064C	Cylinder Head Repl. Gasket Set					

Part Number	Description	Machine Model / Application	Machine Serial Number	Engine Model	Engine Serial No.	Comments
CTP3406065A	Out of Frame OH Gasket Set	3406E TRUCK ENGINE	155-3214	3406E	1LW00333-1LW99999	Turbocharged Single Head
CTP3406065B	Inframe OH Set		158-5160		1LW04301-1LW99999	
CTP3406065C	Cylinder Head Repl. Gasket Set					
CTP3406066A	Out of Frame OH Gasket Set	3406E TRUCK ENGINE	155-3216	3406E	1LW00333-1LW99999	Turbocharged Single Head
CTP3406066B	Inframe OH Set					
CTP3406066C	Cylinder Head Repl. Gasket Set					
CTP3406067A	Out of Frame OH Gasket Set	3406E TRUCK ENGINE	155-3224	3406E	1LW00333-1LW99999	Turbocharged Single Head
CTP3406067B	Inframe OH Set					
CTP3406067C	Cylinder Head Repl. Gasket Set					
CTP3406068A	Out of Frame OH Gasket Set	3406E TRUCK ENGINE	155-3225	3406E	1LW00333-1LW99999	Turbocharged Single Head
CTP3406068B	Inframe OH Set		158-5134		1LW04301-1LW99999	
CTP3406068C	Cylinder Head Repl. Gasket Set		158-5151 158-5161			
CTP3406069A	Out of Frame OH Gasket Set	3406E TRUCK ENGINE	155-3226	3406E	1LW00333-1LW99999	Turbocharged Single Head
CTP3406069B	Inframe OH Set					
CTP3406069C	Cylinder Head Repl. Gasket Set					
CTP3406070A	Out of Frame OH Gasket Set	3406E TRUCK ENGINE	155-3227	3406E	1LW00333-1LW99999	Turbocharged Single Head
CTP3406070B	Inframe OH Set		155-3228 155-3229			
CTP3406070C	Cylinder Head Repl. Gasket Set		155-3231			
CTP3406071A	Out of Frame OH Gasket Set	3406E TRUCK ENGINE	155-3246	3406E	1LW00333-1LW99999	Turbocharged Single Head
CTP3406071B	Inframe OH Set		155-3252 155-3253			
CTP3406071C	Cylinder Head Repl. Gasket Set		155-3285			
CTP3406072A	Out of Frame OH Gasket Set	3406E TRUCK ENGINE	155-3262	3406E	1LW00230-1LW99999	Turbocharged Single Head

Part Number	Description	Machine Model / Application	Machine Serial Number	Engine Model	Engine Serial No.	Comments
CTP3406073A	Out of Frame OH Gasket Set	3406E TRUCK ENGINE	155-3273	3406E	1LW00333-1LW99999	Turbocharged Single Head
CTP3406073B	Inframe OH Set		155-3345			
CTP3406073C	Cylinder Head Repl. Gasket Set					
CTP3406074A	Out of Frame OH Gasket Set	3406E TRUCK ENGINE	155-3276 155-3332	3406E	1LW00333-1LW99999	Turbocharged Single Head
CTP3406074B	Inframe OH Set		155-3282 155-3304 160-3221		1LW00230-1LW99999	
CTP3406074C	Cylinder Head Repl. Gasket Set					
CTP3406075A	Out of Frame OH Gasket Set	3406E TRUCK ENGINE	155-3278	3406E	1LW00230-1LW99999	Turbocharged Single Head
CTP3406075B	Inframe OH Set		155-3279 155-3280			
CTP3406075C	Cylinder Head Repl. Gasket Set		155-3283			
CTP3406076A	Out of Frame OH Gasket Set	3406E TRUCK ENGINE	155-3287 155-3288 155-3289 155-3290	3406E	1LW00230-1LW99999	Turbocharged Single Head
CTP3406076B	Inframe OH Set		158-5201			
CTP3406076C	Cylinder Head Repl. Gasket Set					
CTP3406077A	Out of Frame OH Gasket Set	3406E TRUCK ENGINE	155-3291 155-3292 155-3297 155-3298 155-3299	3406E	1LW00230-1LW99999	Turbocharged Single Head
CTP3406077B	Inframe OH Set					
CTP3406077C	Cylinder Head Repl. Gasket Set					
CTP3406078A	Out of Frame OH Gasket Set	3406E TRUCK ENGINE	155-3296	3406E	1LW06385-1LW99999	Turbocharged Single Head
CTP3406078B	Inframe OH Set		164-8589		1LW21433-1LW99999	
CTP3406078C	Cylinder Head Repl. Gasket Set		164-8590			
CTP3406079A	Out of Frame OH Gasket Set	3406E TRUCK ENGINE	155-3300 155-3301 155-3412 155-3413	3406E	1LW00230-1LW99999	Turbocharged Single Head
CTP3406079B	Inframe OH Set		155-3334			
CTP3406079C	Cylinder Head Repl. Gasket Set					
CTP3406080A	Out of Frame OH Gasket Set	3406E TRUCK ENGINE	155-3312 155-3313 155-3314 155-3320 155-3323	3406E	1LW00333-1LW99999	Turbocharged Single Head
CTP3406080B	Inframe OH Set					
CTP3406080C	Cylinder Head Repl. Gasket Set					

Part Number	Description	Machine Model / Application	Machine Serial Number	Engine Model	Engine Serial No.	Comments
CTP3406081A	Out of Frame OH Gasket Set	3406E TRUCK ENGINE	155-3324	3406E	1LW00333-1LW99999	Turbocharged Single Head
CTP3406081B	Inframe OH Set		155-3325			
CTP3406081C	Cylinder Head Repl. Gasket Set		155-3327			
			155-3329			
CTP3406082A	Out of Frame OH Gasket Set	3406E TRUCK ENGINE	155-3328	3406E	1LW00333-1LW99999	Turbocharged Single Head
CTP3406082B	Inframe OH Set					
CTP3406082C	Cylinder Head Repl. Gasket Set					
CTP3406083A	Out of Frame OH Gasket Set	3406E TRUCK ENGINE	155-3331	3406E	1LW00333-1LW99999	Turbocharged Single Head
CTP3406083B	Inframe OH Set		155-3333			
CTP3406083C	Cylinder Head Repl. Gasket Set		155-3362			
			155-3363			
CTP3406084A	Out of Frame OH Gasket Set	3406E TRUCK ENGINE	155-3341	3406E	1LW00333-1LW99999	Turbocharged Single Head
CTP3406084B	Inframe OH Set					
CTP3406084C	Cylinder Head Repl. Gasket Set					
CTP3406085A	Out of Frame OH Gasket Set	3406E TRUCK ENGINE	155-3355	3406E	1LW00333-1LW99999	Turbocharged Single Head
CTP3406085B	Inframe OH Set					
CTP3406085C	Cylinder Head Repl. Gasket Set					
CTP3406086A	Out of Frame OH Gasket Set	3406E TRUCK ENGINE	155-3356	3406E	1LW00333-1LW99999	Turbocharged Single Head
CTP3406086B	Inframe OH Set		155-3416			
CTP3406086C	Cylinder Head Repl. Gasket Set		155-3447			
			155-3456			
			155-3457			
CTP3406087A	Out of Frame OH Gasket Set	3406E TRUCK ENGINE	155-3364	3406E	1LW00333-1LW99999	Turbocharged Single Head
CTP3406087B	Inframe OH Set					
CTP3406087C	Cylinder Head Repl. Gasket Set					
CTP3406088A	Out of Frame OH Gasket Set	3406E TRUCK ENGINE	155-3365	3406E	1LW00333-1LW99999	Turbocharged Single Head
CTP3406088B	Inframe OH Set		155-3372			
CTP3406088C	Cylinder Head Repl. Gasket Set		155-3374			
			155-3375			
			155-3376			

Part Number	Description	Machine Model / Application	Machine Serial Number	Engine Model	Engine Serial No.	Comments
CTP3406089A	Out of Frame OH Gasket Set	3406E TRUCK ENGINE	155-3366	3406E	1LW00333-1LW99999	Turbocharged Single Head
CTP3406089B	Inframe OH Set					
CTP3406089C	Cylinder Head Repl. Gasket Set					
CTP3406090A	Out of Frame OH Gasket Set	3406E TRUCK ENGINE	155-3378	3406E	1LW00333-1LW99999	Turbocharged Single Head
CTP3406090B	Inframe OH Set		155-3384			
CTP3406090C	Cylinder Head Repl. Gasket Set		155-3390			
			155-3393			
			155-3394			
CTP3406091A	Out of Frame OH Gasket Set	3406E TRUCK ENGINE	155-3380	3406E	1LW00333-1LW99999	Turbocharged Single Head
CTP3406091B	Inframe OH Set					
CTP3406091C	Cylinder Head Repl. Gasket Set					
CTP3406092A	Out of Frame OH Gasket Set	3406E TRUCK ENGINE	155-3395	3406E	1LW00333-1LW99999	Turbocharged Single Head
CTP3406092B	Inframe OH Set		155-3398			
CTP3406092C	Cylinder Head Repl. Gasket Set		155-3420			
			155-3423			
			155-3480			
CTP3406093A	Out of Frame OH Gasket Set	3406E TRUCK ENGINE	155-3414	3406E	1LW00230-1LW99999	Turbocharged Single Head
CTP3406093B	Inframe OH Set		156-2007			
CTP3406093C	Cylinder Head Repl. Gasket Set		156-2261			
			156-2318			
			155-3429			
CTP3406094A	Out of Frame OH Gasket Set	3406E TRUCK ENGINE	155-3425	3406E	1LW06871-1LW99999	Turbocharged Single Head
CTP3406094B	Inframe OH Set		155-3483			
CTP3406094C	Cylinder Head Repl. Gasket Set		155-3485			
			155-3491		1LW00333-1LW99999	
			155-3495			
CTP3406095A	Out of Frame OH Gasket Set	3406E TRUCK ENGINE	155-3432	3406E	1LW00333-1LW99999	Turbocharged Single Head
CTP3406095B	Inframe OH Set					
CTP3406095C	Cylinder Head Repl. Gasket Set					
CTP3406096A	Out of Frame OH Gasket Set	3406E TRUCK ENGINE	155-3463	3406E	1LW00333-1LW99999	Turbocharged Single Head
CTP3406096B	Inframe OH Set					
CTP3406096C	Cylinder Head Repl. Gasket Set					

Part Number	Description	Machine Model / Application	Machine Serial Number	Engine Model	Engine Serial No.	Comments
CTP3406097A	Out of Frame OH Gasket Set	3406E TRUCK ENGINE	155-3484 156-2263 157-5323	3406E	1LW00230-1LW99999	Turbocharged Single Head
CTP3406097B	Inframe OH Set					
CTP3406097C	Cylinder Head Repl. Gasket Set		156-2169		1LW00333-1LW99999	
CTP3406098A	Out of Frame OH Gasket Set	3406E TRUCK ENGINE	155-3487	3406E	1LW00333-1LW99999	Turbocharged Single Head
CTP3406098B	Inframe OH Set					
CTP3406098C	Cylinder Head Repl. Gasket Set		156-2160		1LW06871-1LW99999	
CTP3406099A	Out of Frame OH Gasket Set	3406E TRUCK ENGINE	155-3496 156-1987 156-2001	3406E	1LW00333-1LW99999	Turbocharged Single Head
CTP3406099B	Inframe OH Set					
CTP3406099C	Cylinder Head Repl. Gasket Set		156-2003 156-2014			
CTP3406100A	Out of Frame OH Gasket Set	3406E TRUCK ENGINE	156-2016 156-2018 156-2031	3406E	1LW00333-1LW99999	Turbocharged Single Head
CTP3406100B	Inframe OH Set					
CTP3406100C	Cylinder Head Repl. Gasket Set		156-2046 156-2098			
CTP3406101A	Out of Frame OH Gasket Set	3406E TRUCK ENGINE	156-2039 156-2051	3406E	1LW00333-1LW99999	Turbocharged Single Head
CTP3406101B	Inframe OH Set					
CTP3406101C	Cylinder Head Repl. Gasket Set					
CTP3406102A	Out of Frame OH Gasket Set	3406E TRUCK ENGINE	156-2050 156-2057 156-2071	3406E	1LW00333-1LW99999	Turbocharged Single Head
CTP3406102B	Inframe OH Set					
CTP3406102C	Cylinder Head Repl. Gasket Set		156-2083 156-2097			
CTP3406103A	Out of Frame OH Gasket Set	3406E TRUCK ENGINE	156-2084 156-2086 156-2089	3406E	1LW00333-1LW99999	Turbocharged Single Head
CTP3406103B	Inframe OH Set					
CTP3406103C	Cylinder Head Repl. Gasket Set		156-2094 156-2095			
CTP3406104A	Out of Frame OH Gasket Set	3406E TRUCK ENGINE	156-2096 156-2126 156-2135	3406E	1LW00333-1LW99999	Turbocharged Single Head
CTP3406104B	Inframe OH Set					
CTP3406104C	Cylinder Head Repl. Gasket Set		156-2136 156-2138			

Part Number	Description	Machine Model / Application	Machine Serial Number	Engine Model	Engine Serial No.	Comments
CTP3406105A	Out of Frame OH Gasket Set	3406E TRUCK ENGINE	156-2111 156-2203	3406E	1LW00333-1LW99999	Turbocharged Single Head
CTP3406105B	Inframe OH Set					
CTP3406105C	Cylinder Head Repl. Gasket Set		156-2274			
CTP3406106A	Out of Frame OH Gasket Set	3406E TRUCK ENGINE	156-2112	3406E	1LW00333-1LW14868	Turbocharged Single Head
CTP3406106B	Inframe OH Set					
CTP3406106C	Cylinder Head Repl. Gasket Set					
CTP3406107A	Out of Frame OH Gasket Set	3406E TRUCK ENGINE	156-2127 156-2134 156-2142	3406E	1LW00333-1LW99999	Turbocharged Single Head
CTP3406107B	Inframe OH Set					
CTP3406107C	Cylinder Head Repl. Gasket Set		156-2144 156-2151			
CTP3406108A	Out of Frame OH Gasket Set	3406E TRUCK ENGINE	156-2128	3406E	1LW00333-1LW99999	Turbocharged Single Head
CTP3406108B	Inframe OH Set					
CTP3406108C	Cylinder Head Repl. Gasket Set					
CTP3406109A	Out of Frame OH Gasket Set	3406E TRUCK ENGINE	156-2137	3406E	1LW00333-1LW99999	Turbocharged Single Head
CTP3406109B	Inframe OH Set					
CTP3406109C	Cylinder Head Repl. Gasket Set					
CTP3406110A	Out of Frame OH Gasket Set	3406E TRUCK ENGINE	156-2140 156-2141 156-2145	3406E	1LW00333-1LW99999	Turbocharged Single Head
CTP3406110B	Inframe OH Set					
CTP3406110C	Cylinder Head Repl. Gasket Set		156-2148 156-2150			
CTP3406111A	Out of Frame OH Gasket Set	3406E TRUCK ENGINE	156-2152 156-2180 156-2184	3406E	1LW00333-1LW99999	Turbocharged Single Head
CTP3406111B	Inframe OH Set					
CTP3406111C	Cylinder Head Repl. Gasket Set		156-2185 156-2186			
CTP3406112A	Out of Frame OH Gasket Set	3406E TRUCK ENGINE	156-2206 156-2207 156-2228	3406E	1LW00333-1LW99999	Turbocharged Single Head
CTP3406112B	Inframe OH Set					
CTP3406112C	Cylinder Head Repl. Gasket Set		156-2257 156-2324			

Part Number	Description	Machine Model / Application	Machine Serial Number	Engine Model	Engine Serial No.	Comments
CTP3406113A	Out of Frame OH Gasket Set	3406E TRUCK ENGINE	156-2214	3406E	1LW00333-1LW99999	Turbocharged Single Head
CTP3406113B	Inframe OH Set					
CTP3406113C	Cylinder Head Repl. Gasket Set					
CTP3406114A	Out of Frame OH Gasket Set	3406E TRUCK ENGINE	156-2233	3406E	1LW00333-UP	Turbocharged Single Head
CTP3406114B	Inframe OH Set					
CTP3406114C	Cylinder Head Repl. Gasket Set					
CTP3406115A	Out of Frame OH Gasket Set	3406E TRUCK ENGINE	156-2325	3406E	1LW00333-UP	Turbocharged Single Head
CTP3406115B	Inframe OH Set					
CTP3406115C	Cylinder Head Repl. Gasket Set					
CTP3406116A	Out of Frame OH Gasket Set	3406E TRUCK ENGINE	156-2384	3406E	1LW00333-1LW99999	Turbocharged Single Head
CTP3406116B	Inframe OH Set					
CTP3406116C	Cylinder Head Repl. Gasket Set					
CTP3406117A	Out of Frame OH Gasket Set	3406E TRUCK ENGINE	156-2385 156-2470	3406E	1LW00333-UP	Turbocharged Single Head
CTP3406117B	Inframe OH Set					
CTP3406117C	Cylinder Head Repl. Gasket Set					
CTP3406118A	Out of Frame OH Gasket Set	3406E TRUCK ENGINE	156-2411	3406E	1LW00333-1LW99999	Turbocharged Single Head
CTP3406118B	Inframe OH Set					
CTP3406118C	Cylinder Head Repl. Gasket Set					
CTP3406119A	Out of Frame OH Gasket Set	3406E TRUCK ENGINE	156-2489 156-2498 156-2499	3406E	1LW01979-1LW99999	Turbocharged Single Head
CTP3406119B	Inframe OH Set					
CTP3406119C	Cylinder Head Repl. Gasket Set					
CTP3406120A	Out of Frame OH Gasket Set	3406E TRUCK ENGINE	157-5320	3406E	1LW01979-1LW99999	Turbocharged Single Head
CTP3406120B	Inframe OH Set					
CTP3406120C	Cylinder Head Repl. Gasket Set					

Part Number	Description	Machine Model / Application	Machine Serial Number	Engine Model	Engine Serial No.	Comments
CTP3406121A	Out of Frame OH Gasket Set	3406E TRUCK ENGINE	157-5325	3406E	1LW01979-1LW99999	Turbocharged Single Head
CTP3406121B	Inframe OH Set					
CTP3406121C	Cylinder Head Repl. Gasket Set					
CTP3406122A	Out of Frame OH Gasket Set	3406E TRUCK ENGINE	157-5486	3406E	1LW00230-1LW99999	Turbocharged Single Head
CTP3406122C	Cylinder Head Repl. Gasket Set					
CTP3406123A	Out of Frame OH Gasket Set	3406E TRUCK ENGINE	158-5140	3406E	1LW04301-1LW99999	Turbocharged Single Head
CTP3406123B	Inframe OH Set					
CTP3406123C	Cylinder Head Repl. Gasket Set					
CTP3406124A	Out of Frame OH Gasket Set	3406E TRUCK ENGINE	158-5141	3406E	1LW04301-1LW99999	Turbocharged Single Head
CTP3406124B	Inframe OH Set					
CTP3406124C	Cylinder Head Repl. Gasket Set					
CTP3406125A	Out of Frame OH Gasket Set	3406E TRUCK ENGINE	158-5166	3406E	1LW04301-1LW99999	Turbocharged Single Head
CTP3406125B	Inframe OH Set					
CTP3406125C	Cylinder Head Repl. Gasket Set					
CTP3406126A	Out of Frame OH Gasket Set	3406E TRUCK ENGINE	158-5170	3406E	1LW04301-1LW99999	Turbocharged Single Head
CTP3406126B	Inframe OH Set					
CTP3406126C	Cylinder Head Repl. Gasket Set					
CTP3406127A	Out of Frame OH Gasket Set	3406E TRUCK ENGINE	158-5279	3406E	1LW04873-1LW99999	Turbocharged Single Head
CTP3406127B	Inframe OH Set		158-5462			
CTP3406127C	Cylinder Head Repl. Gasket Set		158-5526			
			158-5552 158-5559			

Part Number	Description	Machine Model / Application	Machine Serial Number	Engine Model	Engine Serial No.	Comments
CTP3406128A	Out of Frame OH Gasket Set	3406E TRUCK ENGINE	158-5324	3406E	1LW04873-1LW99999	Turbocharged Single Head
CTP3406128B	Inframe OH Set		158-5599		1LW06419-1LW99999	
CTP3406128C	Cylinder Head Repl. Gasket Set					
CTP3406129A	Out of Frame OH Gasket Set	3406E TRUCK ENGINE	158-5377	3406E	1LW04873-1LW99999	Turbocharged Single Head
CTP3406129C	Cylinder Head Repl. Gasket Set		158-5465		1LW04301-1LW99999	
CTP3406130A	Out of Frame OH Gasket Set	3406E TRUCK ENGINE	158-5429	3406E	1LW04873-1LW99999	Turbocharged Single Head
CTP3406130B	Inframe OH Set		160-2793		1LW06419-1LW99999	
CTP3406130C	Cylinder Head Repl. Gasket Set		160-2930		1LW09072-1LW99999	
			160-2942		1LW09072-1LW99999	
CTP3406131A	Out of Frame OH Gasket Set	3406E TRUCK ENGINE	158-5477	3406E	1LW06419-1LW99999	Turbocharged Single Head
CTP3406131C	Cylinder Head Repl. Gasket Set					
CTP3406132A	Out of Frame OH Gasket Set	3406E TRUCK ENGINE	158-5553	3406E	1LW06419-1LW99999	Turbocharged Single Head
CTP3406132B	Inframe OH Set					
CTP3406132C	Cylinder Head Repl. Gasket Set					
CTP3406133A	Out of Frame OH Gasket Set	3406E TRUCK ENGINE	158-5555	3406E	1LW06419-1LW99999	Turbocharged Single Head
CTP3406133B	Inframe OH Set		158-5564			
CTP3406133C	Cylinder Head Repl. Gasket Set					
CTP3406134A	Out of Frame OH Gasket Set	3406E TRUCK ENGINE	158-5556	3406E	1LW06419-1LW99999	Turbocharged Single Head
CTP3406134B	Inframe OH Set					
CTP3406134C	Cylinder Head Repl. Gasket Set					

Part Number	Description	Machine Model / Application	Machine Serial Number	Engine Model	Engine Serial No.	Comments
CTP3406135A	Out of Frame OH Gasket Set	3406E TRUCK ENGINE	158-5574	3406E	1LW06419-1LW99999	Turbocharged Single Head
CTP3406135B	Inframe OH Set		158-5577			
CTP3406135C	Cylinder Head Repl. Gasket Set					
CTP3406136A	Out of Frame OH Gasket Set	3406E TRUCK ENGINE	158-5576	3406E	1LW06419-1LW99999	Turbocharged Single Head
CTP3406136B	Inframe OH Set					
CTP3406136C	Cylinder Head Repl. Gasket Set					
CTP3406137A	Out of Frame OH Gasket Set	3406E TRUCK ENGINE	158-5579	3406E	1LW06419-1LW99999	Turbocharged Single Head
CTP3406137B	Inframe OH Set		160-2865		1LW07795-1LW99999	
CTP3406137C	Cylinder Head Repl. Gasket Set					
CTP3406138A	Out of Frame OH Gasket Set	3406E TRUCK ENGINE	160-2819	3406E	1LW00230-1LW99999	Turbocharged Single Head
CTP3406138B	Inframe OH Set					
CTP3406138C	Cylinder Head Repl. Gasket Set					
CTP3406139A	Out of Frame OH Gasket Set	3406E TRUCK ENGINE	160-2900	3406E	1LW30086-1LW99999	Turbocharged Single Head
CTP3406139B	Inframe OH Set					
CTP3406139C	Cylinder Head Repl. Gasket Set					
CTP3406140A	Out of Frame OH Gasket Set	3406E TRUCK ENGINE	160-2928	3406E	1LW09072-1LW99999	Turbocharged Single Head
CTP3406140B	Inframe OH Set					
CTP3406140C	Cylinder Head Repl. Gasket Set					
CTP3406141A	Out of Frame OH Gasket Set	3406E TRUCK ENGINE	160-3311	3406E	1LW00230-1LW99999	Turbocharged Single Head
CTP3406141B	Inframe OH Set		160-3320			
CTP3406141C	Cylinder Head Repl. Gasket Set		166-9810 166-9811			
CTP3406142A	Out of Frame OH Gasket Set	3406E TRUCK ENGINE	164-1816	3406E	1LW16566-1LW99999	Turbocharged Single Head
CTP3406142B	Inframe OH Set					
CTP3406142C	Cylinder Head Repl. Gasket Set					

Part Number	Description	Machine Model / Application	Machine Serial Number	Engine Model	Engine Serial No.	Comments
CTP3406143A	Out of Frame OH Gasket Set	3406E TRUCK ENGINE	164-8604	3406E	1LW00230-1LW99999	Turbocharged Single Head
CTP3406143B	Inframe OH Set					
CTP3406143C	Cylinder Head Repl. Gasket Set					
CTP3406144A	Out of Frame OH Gasket Set	3406E TRUCK ENGINE	164-8831	3406E	1LW00230-1LW99999	Turbocharged Single Head
CTP3406144B	Inframe OH Set					
CTP3406144C	Cylinder Head Repl. Gasket Set					
CTP3406145A	Out of Frame OH Gasket Set	3406E TRUCK ENGINE	166-9868	3406E	1LW00230-1LW99999	Turbocharged Single Head
CTP3406145B	Inframe OH Set					
CTP3406145C	Cylinder Head Repl. Gasket Set					
CTP3406146A	Out of Frame OH Gasket Set	3406E TRUCK ENGINE	169-2257	3406E	1LW00230-1LW99999	Turbocharged Single Head
CTP3406146B	Inframe OH Set					
CTP3406146C	Cylinder Head Repl. Gasket Set					
CTP3406147A	Out of Frame OH Gasket Set	3406E	164-1704	3406E	1MM00001-1MM99999	Turbocharged Single Head
CTP3406147C	Cylinder Head Repl. Gasket Set					
CTP3406148A	Out of Frame OH Gasket Set	3406E	169-5069	3406E	1MM00001-1MM01308	Turbocharged Single Head
CTP3406148C	Cylinder Head Repl. Gasket Set		169-5070			
CTP3406149A	Out of Frame OH Gasket Set	3406E	169-5071	3406E	1MM00001-1MM01308	Turbocharged Single Head
CTP3406149C	Cylinder Head Repl. Gasket Set					
CTP3406150A	Out of Frame OH Gasket Set	3406E	170-7824	3406E	1MM00001-1MM01308	Turbocharged Single Head
CTP3406150C	Cylinder Head Repl. Gasket Set					
CTP3406151A	Out of Frame OH Gasket Set	3406E	170-7898	3406E	1MM00001-1MM01308	Turbocharged Single Head
CTP3406151B	Inframe OH Set					
CTP3406151C	Cylinder Head Repl. Gasket Set					

Part Number	Description	Machine Model / Application	Machine Serial Number	Engine Model	Engine Serial No.	Comments
CTP3406152A	Out of Frame OH Gasket Set	3406E	172-8897	3406E	1MM00001-1MM01308	Turbocharged Single Head
CTP3406152C	Cylinder Head Repl. Gasket Set					
CTP3406153A	Out of Frame OH Gasket Set	3406E	178-1423	3406E	1MM00880-1MM99999	Turbocharged Single Head
CTP3406153B	Inframe OH Set					
CTP3406153C	Cylinder Head Repl. Gasket Set					
CTP3406154A	Out of Frame OH Gasket Set	3406E	154-0990	3406E	5DS00049-5DS99999	Turbocharged Single Head
CTP3406154B	Inframe OH Set		155-3205			
CTP3406154C	Cylinder Head Repl. Gasket Set					
CTP3406155A	Out of Frame OH Gasket Set	3406E	155-3218	3406E	5DS00049-5DS99999	Turbocharged Single Head
CTP3406155B	Inframe OH Set					
CTP3406155C	Cylinder Head Repl. Gasket Set					
CTP3406156A	Out of Frame OH Gasket Set	3406E	155-3219	3406E	5DS00049-5DS99999	Turbocharged Single Head
CTP3406156B	Inframe OH Set					
CTP3406156C	Cylinder Head Repl. Gasket Set					
CTP3406157A	Out of Frame OH Gasket Set	3406E	155-3257	3406E	5DS00049-5DS99999	Turbocharged Single Head
CTP3406157B	Inframe OH Set					
CTP3406157C	Cylinder Head Repl. Gasket Set					
CTP3406158A	Out of Frame OH Gasket Set	3406E	155-3367	3406E	5DS00049-5DS99999	Turbocharged Single Head
CTP3406158B	Inframe OH Set					
CTP3406158C	Cylinder Head Repl. Gasket Set					
CTP3406159A	Out of Frame OH Gasket Set	3406E	158-5282	3406E	5DS00049-5DS99999	Turbocharged Single Head
CTP3406159C	Cylinder Head Repl. Gasket Set					

Part Number	Description	Machine Model / Application	Machine Serial Number	Engine Model	Engine Serial No.	Comments
CTP3406160A	Out of Frame OH Gasket Set	3406E	160-3307	3406E	2WS00406-2WS99999	Turbocharged Single Head
CTP3406160B	Inframe OH Set		160-3330			
CTP3406160C	Cylinder Head Repl. Gasket Set		166-9622 169-2217			
CTP3406161A	Out of Frame OH Gasket Set	3406E	160-3418	3406E	2WS00406-2WS99999	Turbocharged Single Head
CTP3406161C	Cylinder Head Repl. Gasket Set		169-2407 169-2415			
CTP3406162A	Out of Frame OH Gasket Set	3406E	166-9621 169-5079	3406E	2WS04061-2WS99999	Turbocharged Single Head
CTP3406162B	Inframe OH Set					
CTP3406162C	Cylinder Head Repl. Gasket Set					
CTP3406163A	Out of Frame OH Gasket Set	3406E	169-2218	3406E	2WS00406-2WS99999	Turbocharged Single Head
CTP3406163B	Inframe OH Set		169-2219 169-2408			
CTP3406163C	Cylinder Head Repl. Gasket Set		169-2409 169-2420			
CTP3406164A	Out of Frame OH Gasket Set	3406E	169-2417	3406E	2WS00406-2WS99999	Turbocharged Single Head
CTP3406164B	Inframe OH Set					
CTP3406164C	Cylinder Head Repl. Gasket Set					
CTP3406165A	Out of Frame OH Gasket Set	3406E	169-2419	3406E	2WS00406-2WS99999	Turbocharged Single Head
CTP3406165B	Inframe OH Set					
CTP3406165C	Cylinder Head Repl. Gasket Set					
CTP3406166A	Out of Frame OH Gasket Set	3406E	169-2466	3406E	2WS00406-2WS99999	Turbocharged Single Head
CTP3406166B	Inframe OH Set		169-5072 169-5073			
CTP3406166C	Cylinder Head Repl. Gasket Set		169-5074 169-5081			
CTP3406167A	Out of Frame OH Gasket Set	3406E	169-5075	3406E	2WS00406-2WS99999	Turbocharged Single Head
CTP3406167C	Cylinder Head Repl. Gasket Set		169-5077 169-5078			
CTP3406168A	Out of Frame OH Gasket Set		3406E			
CTP3406168C	Cylinder Head Repl. Gasket Set	169-5085 169-5261				

Part Number	Description	Machine Model / Application	Machine Serial Number	Engine Model	Engine Serial No.	Comments
CTP3406169A	Out of Frame OH Gasket Set	3406E	169-5082	3406E	2WS00406-2WS99999	Turbocharged Single Head
CTP3406169B	Inframe OH Set		169-5083 169-5086			
CTP3406169C	Cylinder Head Repl. Gasket Set		169-5091 169-5104			
CTP3406170A	Out of Frame OH Gasket Set	3406E	169-5088	3406E	2WS00406-2WS99999	Turbocharged Single Head
CTP3406170C	Cylinder Head Repl. Gasket Set		169-5092 169-5093 169-5098			
CTP3406171A	Out of Frame OH Gasket Set	3406E	169-5090	3406E	2WS00406-2WS99999	Turbocharged Single Head
CTP3406171C	Cylinder Head Repl. Gasket Set		169-5103 169-5278 169-9235 169-9281			
CTP3406172A	Out of Frame OH Gasket Set	3406E	169-5101	3406E	2WS00406-2WS99999	Turbocharged Single Head
CTP3406172C	Cylinder Head Repl. Gasket Set		169-5105 169-5130 169-5131 169-5183			
CTP3406173A	Out of Frame OH Gasket Set	3406E	169-5148	3406E	2WS00406-2WS99999	Turbocharged Single Head
CTP3406173B	Inframe OH Set					
CTP3406173C	Cylinder Head Repl. Gasket Set					
CTP3406174A	Out of Frame OH Gasket Set	3406E	169-5182	3406E	2WS00406-2WS99999	Turbocharged Single Head
CTP3406174B	Inframe OH Set		169-5228 169-5242 169-5251 169-9186			
CTP3406174C	Cylinder Head Repl. Gasket Set					
CTP3406175A	Out of Frame OH Gasket Set	3406E	169-5184	3406E	2WS00406-2WS99999	Turbocharged Single Head
CTP3406175C	Cylinder Head Repl. Gasket Set		169-5186 169-5220 169-5249 169-5264			
CTP3406176A	Out of Frame OH Gasket Set	3406E	169-5263	3406E	2WS00406-2WS99999	Turbocharged Single Head
CTP3406176B	Inframe OH Set		169-9132			
CTP3406176C	Cylinder Head Repl. Gasket Set					
CTP3406177A	Out of Frame OH Gasket Set	3406E	169-9133	3406E	2WS00406-2WS99999	Turbocharged Single Head
CTP3406177C	Cylinder Head Repl. Gasket Set		169-9134 169-9135 169-9137 169-9185			

Part Number	Description	Machine Model / Application	Machine Serial Number	Engine Model	Engine Serial No.	Comments
CTP3406178A	Out of Frame OH Gasket Set	3406E	169-9187	3406E	2WS00406-2WS99999	Turbocharged Single Head
CTP3406178B	Inframe OH Set					
CTP3406178C	Cylinder Head Repl. Gasket Set					
CTP3406179A	Out of Frame OH Gasket Set	3406E	169-9189 169-9225 169-9236 169-9244 169-9276	3406E	2WS00406-2WS99999	Turbocharged Single Head
CTP3406179B	Inframe OH Set					
CTP3406179C	Cylinder Head Repl. Gasket Set					
CTP3406180A	Out of Frame OH Gasket Set	3406E	169-9195 169-9218 169-9219 169-9221 169-9222	3406E	2WS00406-2WS99999	Turbocharged Single Head
CTP3406180C	Cylinder Head Repl. Gasket Set					
CTP3406181A	Out of Frame OH Gasket Set	3406E	169-9223 169-9240 169-9273 169-9279 169-9280	3406E	2WS00406-2WS99999	Turbocharged Single Head
CTP3406181C	Cylinder Head Repl. Gasket Set					
CTP3406182A	Out of Frame OH Gasket Set	3406E	169-9278 169-9282 169-9284 169-9343 169-9371	3406E	2WS00406-2WS99999	Turbocharged Single Head
CTP3406182B	Inframe OH Set					
CTP3406182C	Cylinder Head Repl. Gasket Set					
CTP3406183A	Out of Frame OH Gasket Set	3406E	169-9291 169-9464 170-7880	3406E	2WS00406-2WS99999	Turbocharged Single Head
CTP3406183C	Cylinder Head Repl. Gasket Set					
CTP3406184A	Out of Frame OH Gasket Set	3406E	169-9397 169-9428 170-7799 170-7806 170-7808	3406E	2WS00406-2WS99999	Turbocharged Single Head
CTP3406184C	Cylinder Head Repl. Gasket Set					
CTP3406185A	Out of Frame OH Gasket Set	3406E	169-9424 170-7792 170-7794 170-7816 170-7819	3406E	2WS00406-2WS99999	Turbocharged Single Head
CTP3406185C	Cylinder Head Repl. Gasket Set					
CTP3406186A	Out of Frame OH Gasket Set	3406E	169-9434 169-9436 169-9448 170-7786 170-7790	3406E	2WS00406-2WS99999	Turbocharged Single Head
CTP3406186B	Inframe OH Set					
CTP3406186C	Cylinder Head Repl. Gasket Set					

Part Number	Description	Machine Model / Application	Machine Serial Number	Engine Model	Engine Serial No.	Comments
CTP3406187A	Out of Frame OH Gasket Set	3406E	170-7785	3406E	2WS00406-2WS99999	Turbocharged Single Head
CTP3406187B	Inframe OH Set		170-7813			
CTP3406187C	Cylinder Head Repl. Gasket Set					
CTP3406188A	Out of Frame OH Gasket Set	3406E	170-7793	3406E	2WS00406-2WS99999	Turbocharged Single Head
CTP3406188C	Cylinder Head Repl. Gasket Set					
CTP3406189A	Out of Frame OH Gasket Set	3406E	170-7795 170-7811 170-7822 170-7837 170-7845	3406E	2WS00406-2WS99999	Turbocharged Single Head
CTP3406189C	Cylinder Head Repl. Gasket Set					
CTP3406190A	Out of Frame OH Gasket Set	3406E	170-7798	3406E	2WS00406-2WS99999	Turbocharged Single Head
CTP3406190C	Cylinder Head Repl. Gasket Set					
CTP3406191A	Out of Frame OH Gasket Set	3406E	170-7801	3406E	2WS00406-2WS99999	Turbocharged Single Head
CTP3406191B	Inframe OH Set		174-2796			
CTP3406191C	Cylinder Head Repl. Gasket Set					
CTP3406192A	Out of Frame OH Gasket Set	3406E	170-7809	3406E	2WS00406-2WS99999	Turbocharged Single Head
CTP3406192B	Inframe OH Set					
CTP3406192C	Cylinder Head Repl. Gasket Set					
CTP3406193A	Out of Frame OH Gasket Set	3406E	170-7812 170-7828 170-7833 171-5155 171-8159	3406E	2WS00406-2WS99999	Turbocharged Single Head
CTP3406193C	Cylinder Head Repl. Gasket Set					
CTP3406194A	Out of Frame OH Gasket Set	3406E	170-7826 170-7847 170-7990 171-4932 171-5098	3406E	2WS00406-2WS99999	Turbocharged Single Head
CTP3406194B	Inframe OH Set					
CTP3406194C	Cylinder Head Repl. Gasket Set					
CTP3406195A	Out of Frame OH Gasket Set	3406E	170-7852 170-7866 171-5197 171-5798 171-8164	3406E	2WS00406-2WS99999	Turbocharged Single Head
CTP3406195C	Cylinder Head Repl. Gasket Set					

Part Number	Description	Machine Model / Application	Machine Serial Number	Engine Model	Engine Serial No.	Comments
CTP3406196A	Out of Frame OH Gasket Set	3406E	170-7863	3406E	2WS00406-2WS99999	Turbocharged Single Head
CTP3406196B	Inframe OH Set		172-8954			
CTP3406196C	Cylinder Head Repl. Gasket Set					
CTP3406197A	Out of Frame OH Gasket Set	3406E	170-7937	3406E	2WS00406-2WS99999	Turbocharged Single Head
CTP3406197B	Inframe OH Set					
CTP3406197C	Cylinder Head Repl. Gasket Set					
CTP3406198A	Out of Frame OH Gasket Set	3406E	171-4957	3406E	2WS00406-2WS99999	Turbocharged Single Head
CTP3406198B	Inframe OH Set		177-1338			
CTP3406198C	Cylinder Head Repl. Gasket Set					
CTP3406199A	Out of Frame OH Gasket Set	3406E	171-5101	3406E	2WS00406-2WS99999	Turbocharged Single Head
CTP3406199B	Inframe OH Set		174-2551			
CTP3406199C	Cylinder Head Repl. Gasket Set		175-2080 175-2083 175-2096			
CTP3406200A	Out of Frame OH Gasket Set	3406E	171-5158	3406E	2WS00406-2WS99999	Turbocharged Single Head
CTP3406200B	Inframe OH Set					
CTP3406200C	Cylinder Head Repl. Gasket Set					
CTP3406201A	Out of Frame OH Gasket Set	3406E	171-5199	3406E	2WS00406-2WS99999	Turbocharged Single Head
CTP3406201B	Inframe OH Set					
CTP3406201C	Cylinder Head Repl. Gasket Set					
CTP3406202A	Out of Frame OH Gasket Set	3406E	171-8169	3406E	2WS00406-2WS99999	Turbocharged Single Head
CTP3406202B	Inframe OH Set					
CTP3406202C	Cylinder Head Repl. Gasket Set					
CTP3406203A	Out of Frame OH Gasket Set	3406E	171-8205	3406E	2WS00406-2WS99999	Turbocharged Single Head
CTP3406203B	Inframe OH Set		171-8352			
CTP3406203C	Cylinder Head Repl. Gasket Set		171-8353 171-8355 171-8356			

Part Number	Description	Machine Model / Application	Machine Serial Number	Engine Model	Engine Serial No.	Comments
CTP3406204A	Out of Frame OH Gasket Set	3406E	171-8214 171-8237 171-8315 171-8342 172-8953	3406E	2WS00406-2WS99999	Turbocharged Single Head
CTP3406204C	Cylinder Head Repl. Gasket Set					
CTP3406205A	Out of Frame OH Gasket Set	3406E	171-8236 171-8950 172-8964 172-8966 172-9015	3406E	2WS00406-2WS99999	Turbocharged Single Head
CTP3406205B	Inframe OH Set					
CTP3406205C	Cylinder Head Repl. Gasket Set					
CTP3406206A	Out of Frame OH Gasket Set	3406E	171-8266 171-8296 171-8317 171-8322 171-8340	3406E	2WS00406-2WS99999	Turbocharged Single Head
CTP3406206B	Inframe OH Set					
CTP3406206C	Cylinder Head Repl. Gasket Set					
CTP3406207A	Out of Frame OH Gasket Set	3406E	171-8268	3406E	2WS00406-2WS99999	Turbocharged Single Head
CTP3406207B	Inframe OH Set					
CTP3406207C	Cylinder Head Repl. Gasket Set					
CTP3406208A	Out of Frame OH Gasket Set	3406E	171-8428	3406E	2WS00406-2WS99999	Turbocharged Single Head
CTP3406208B	Inframe OH Set					
CTP3406208C	Cylinder Head Repl. Gasket Set					
CTP3406209A	Out of Frame OH Gasket Set	3406E	171-8552	3406E	2WS00406-2WS99999	Turbocharged Single Head
CTP3406209B	Inframe OH Set					
CTP3406209C	Cylinder Head Repl. Gasket Set					
CTP3406210A	Out of Frame OH Gasket Set	3406E	172-8896 173-6341 174-2670	3406E	2WS00406-2WS99999	Turbocharged Single Head
CTP3406210C	Cylinder Head Repl. Gasket Set					
CTP3406211A	Out of Frame OH Gasket Set	3406E	172-8898	3406E	2WS00406-2WS99999	Turbocharged Single Head
CTP3406211B	Inframe OH Set					
CTP3406211C	Cylinder Head Repl. Gasket Set					
CTP3406212A	Out of Frame OH Gasket Set	3406E	172-8956 172-8965 173-6326	3406E	2WS00406-2WS99999	Turbocharged Single Head
CTP3406212C	Cylinder Head Repl. Gasket Set					

Part Number	Description	Machine Model / Application	Machine Serial Number	Engine Model	Engine Serial No.	Comments
CTP3406213A	Out of Frame OH Gasket Set	3406E	172-8958 172-9033	3406E	2WS00406-2WS99999	Turbocharged Single Head
CTP3406213B	Inframe OH Set		175-2044 175-9312			
CTP3406213C	Cylinder Head Repl. Gasket Set		175-9370			
CTP3406214A	Out of Frame OH Gasket Set	3406E	172-8959	3406E	2WS00406-2WS99999	Turbocharged Single Head
CTP3406214C	Cylinder Head Repl. Gasket Set		172-8962			
CTP3406215A	Out of Frame OH Gasket Set	3406E	172-8968 172-8976 172-8977 172-8980 172-9013	3406E	2WS00406-2WS99999	Turbocharged Single Head
CTP3406215C	Cylinder Head Repl. Gasket Set					
CTP3406216A	Out of Frame OH Gasket Set	3406E	172-9023 172-9051	3406E	2WS00406-2WS99999	Turbocharged Single Head
CTP3406216B	Inframe OH Set		172-9178			
CTP3406216C	Cylinder Head Repl. Gasket Set		175-2081 177-1389			
CTP3406217A	Out of Frame OH Gasket Set	3406E	173-6439	3406E	2WS00406-2WS99999	Turbocharged Single Head
CTP3406217C	Cylinder Head Repl. Gasket Set					
CTP3406218A	Out of Frame OH Gasket Set	3406E	174-2674 175-1841	3406E	2WS00406-2WS99999	Turbocharged Single Head
CTP3406218B	Inframe OH Set		175-2082 175-9198			
CTP3406218C	Cylinder Head Repl. Gasket Set		177-1129			
CTP3406219A	Out of Frame OH Gasket Set	3406E	175-9181	3406E	2WS00406-2WS99999	Turbocharged Single Head
CTP3406219B	Inframe OH Set		175-9311			
CTP3406219C	Cylinder Head Repl. Gasket Set					
CTP3406220A	Out of Frame OH Gasket Set	3406E	178-1379 178-1393	3406E	2WS00406-2WS99999	Turbocharged Single Head
CTP3406220B	Inframe OH Set		178-1394			
CTP3406220C	Cylinder Head Repl. Gasket Set		178-1399 178-1402			
CTP3406221A	Out of Frame OH Gasket Set	3406E	178-1395 178-1396	3406E	2WS00406-2WS99999	Turbocharged Single Head
CTP3406221B	Inframe OH Set		178-1398			
CTP3406221C	Cylinder Head Repl. Gasket Set		178-1409 180-1807			

Part Number	Description	Machine Model / Application	Machine Serial Number	Engine Model	Engine Serial No.	Comments
CTP3406222A	Out of Frame OH Gasket Set	3406E	178-1408 178-1414	3406E	2WS00406-2WS99999	Turbocharged Single Head
CTP3406222B	Inframe OH Set		178-1417			
CTP3406222C	Cylinder Head Repl. Gasket Set		178-1421 178-1425			
CTP3406223A	Out of Frame OH Gasket Set	3406E	178-1412	3406E	2WS00406-2WS99999	Turbocharged Single Head
CTP3406223B	Inframe OH Set					
CTP3406223C	Cylinder Head Repl. Gasket Set					
CTP3406224A	Out of Frame OH Gasket Set	3406E	178-1427 178-1428	3406E	2WS00406-2WS99999	Turbocharged Single Head
CTP3406224B	Inframe OH Set		178-1429			
CTP3406224C	Cylinder Head Repl. Gasket Set		178-1430 178-1434			
CTP3406225A	Out of Frame OH Gasket Set	3406E	178-1435 178-1441	3406E	2WS00406-2WS99999	Turbocharged Single Head
CTP3406225B	Inframe OH Set		178-1446			
CTP3406225C	Cylinder Head Repl. Gasket Set		178-1453 178-1470			
CTP3406226A	Out of Frame OH Gasket Set	3406E	179-1028 179-1060	3406E	2WS00406-2WS99999	Turbocharged Single Head
CTP3406226B	Inframe OH Set		180-1784			
CTP3406226C	Cylinder Head Repl. Gasket Set					
CTP3406227A	Out of Frame OH Gasket Set	3406E	179-1049	3406E	2WS00406-2WS99999	Turbocharged Single Head
CTP3406227B	Inframe OH Set					
CTP3406227C	Cylinder Head Repl. Gasket Set					
CTP3406228A	Out of Frame OH Gasket Set	3406E	100-8553 108-6110	3406E	5EK00001-UP	Turbocharged Single Head
CTP3406228B	Inframe OH Set		108-6111			
CTP3406228C	Cylinder Head Repl. Gasket Set		108-6112			
			108-6113			
CTP3406229A	Out of Frame OH Gasket Set	3406E	108-6114	3406E	5EK00001-5EK99381	Turbocharged Single Head
CTP3406229B	Inframe OH Set		108-6115			
CTP3406229C	Cylinder Head Repl. Gasket Set					

Part Number	Description	Machine Model / Application	Machine Serial Number	Engine Model	Engine Serial No.	Comments
CTP3406230A	Out of Frame OH Gasket Set	3406E	108-6116 108-6120 109-0546 109-0547	3406E	5EK00001- 5EK99381	Turbocharged Single Head
CTP3406230B	Inframe OH Set					
CTP3406230C	Cylinder Head Repl. Gasket Set					
CTP3406231A	Out of Frame OH Gasket Set	3406E	108-6117 108-6118 108-6119 108-6121 108-6124 108-6125	3406E	5EK00628- 5EK99381	Turbocharged Single Head
CTP3406231B	Inframe OH Set					
CTP3406231C	Cylinder Head Repl. Gasket Set					
CTP3406232A	Out of Frame OH Gasket Set	3406E	109-0539 109-0540 109-0541 109-0542 109-0543 109-0544	3406E	5EK00553- 5EK99381	Turbocharged Single Head
CTP3406232B	Inframe OH Set					
CTP3406232C	Cylinder Head Repl. Gasket Set					
CTP3406233A	Out of Frame OH Gasket Set	3406E	109-0550 109-0551 109-6583 109-6584 109-6585	3406E	5EK99381- 5EK00001	Turbocharged Single Head
CTP3406233B	Inframe OH Set					
CTP3406233C	Cylinder Head Repl. Gasket Set					
CTP3406234A	Out of Frame OH Gasket Set	3406E	109-0551 109-6597	3406E	5EK99381- 5EK00001 5EK00001- 5EK99381	Turbocharged Single Head
CTP3406234B	Inframe OH Set					
CTP3406234C	Cylinder Head Repl. Gasket Set					
CTP3406235A	Out of Frame OH Gasket Set	3406E	109-0552 109-6582 109-6589	3406E	5EK00553- 5EK00001 5EK01185- 5EK99381	Turbocharged Single Head
CTP3406235B	Inframe OH Set					
CTP3406235C	Cylinder Head Repl. Gasket Set					
CTP3406236A	Out of Frame OH Gasket Set	3406E	109-6587	3406E	5EK01185- 5EK99381	Turbocharged Single Head
CTP3406236B	Inframe OH Set					
CTP3406236C	Cylinder Head Repl. Gasket Set					
CTP3406237A	Out of Frame OH Gasket Set	3406E	109-6588 109-6590 109-6591 109-6592 109-6593	3406E	5EK99381- 5EK00001 5EK00001- 5EK99381 5EK01195- 5EK99381	Turbocharged Single Head
CTP3406237B	Inframe OH Set					
CTP3406237C	Cylinder Head Repl. Gasket Set					

Part Number	Description	Machine Model / Application	Machine Serial Number	Engine Model	Engine Serial No.	Comments
CTP3406238A	Out of Frame OH Gasket Set	3406E	109-6594 109-6595	3406E	5EK01185- 5EK99381	Turbocharged Single Head
CTP3406238B	Inframe OH Set					
CTP3406238C	Cylinder Head Repl. Gasket Set					
CTP3406239A	Out of Frame OH Gasket Set	3406E	109-6596	3406E	5EK01185- 5EK99381	Turbocharged Single Head
CTP3406239B	Inframe OH Set					
CTP3406239C	Cylinder Head Repl. Gasket Set					
CTP3406240A	Out of Frame OH Gasket Set	3406E	109-9761	3406E	5EK00001- 5EK99381	Turbocharged Single Head
CTP3406240B	Inframe OH Set					
CTP3406240C	Cylinder Head Repl. Gasket Set					
CTP3406241A	Out of Frame OH Gasket Set	3406E	110-9640 110-9643 110-9647 110-9648 110-9656 110-9663	3406E	5EK00001- 5EK99999	Turbocharged Single Head
CTP3406241B	Inframe OH Set					
CTP3406241C	Cylinder Head Repl. Gasket Set					
CTP3406242A	Out of Frame OH Gasket Set	3406E	110-9644 110-9645	3406E	5EK00001- 5EK50518	Turbocharged Single Head
CTP3406242B	Inframe OH Set					
CTP3406242C	Cylinder Head Repl. Gasket Set					
CTP3406243A	Out of Frame OH Gasket Set	3406E	110-9646 110-9655 110-9658 110-9660 111-1488 111-1489	3406E	5EK01821- 5EK50518 5EK01821- 5EK67192	Turbocharged Single Head
CTP3406243B	Inframe OH Set					
CTP3406243C	Cylinder Head Repl. Gasket Set					
CTP3406244A	Out of Frame OH Gasket Set	3406E	110-9649 110-9664 110-9657 110-9659 110-9662	3406E	5EK01821- 5EK50518 5EK01821- 5EK67192	Turbocharged Single Head
CTP3406244B	Inframe OH Set					
CTP3406244C	Cylinder Head Repl. Gasket Set					
CTP3406245A	Out of Frame OH Gasket Set	3406E	110-9661	3406E	5EK01821- 5EK67192	Turbocharged Single Head
CTP3406245B	Inframe OH Set					
CTP3406245C	Cylinder Head Repl. Gasket Set					

Part Number	Description	Machine Model / Application	Machine Serial Number	Engine Model	Engine Serial No.	Comments
CTP3406246A	Out of Frame OH Gasket Set	3406E	110-9665	3406E	5EK01821-5EK67192	Turbocharged Single Head
CTP3406246B	Inframe OH Set					
CTP3406246C	Cylinder Head Repl. Gasket Set					
CTP3406247A	Out of Frame OH Gasket Set	3406E	110-9666	3406E	5EK00001-5EK99999	Turbocharged Single Head
CTP3406247B	Inframe OH Set		110-9669			
CTP3406247C	Cylinder Head Repl. Gasket Set		111-1464 111-1486			
CTP3406248A	Out of Frame OH Gasket Set	3406E	110-9667	3406E	5EK01821-5EK67192	Turbocharged Single Head
CTP3406248B	Inframe OH Set					
CTP3406248C	Cylinder Head Repl. Gasket Set					
CTP3406249A	Out of Frame OH Gasket Set	3406E	110-9668	3406E	5EK01821-5EK67192	Turbocharged Single Head
CTP3406249B	Inframe OH Set					
CTP3406249C	Cylinder Head Repl. Gasket Set					
CTP3406250A	Out of Frame OH Gasket Set	3406E	110-9670	3406E	5EK01821-5EK67192	Turbocharged Single Head
CTP3406250B	Inframe OH Set					
CTP3406250C	Cylinder Head Repl. Gasket Set					
CTP3406251A	Out of Frame OH Gasket Set	3406E	111-1461	3406E	5EK01821-5EK67192	Turbocharged Single Head
CTP3406251B	Inframe OH Set		111-1463			
CTP3406251C	Cylinder Head Repl. Gasket Set		111-1482			
CTP3406252A	Out of Frame OH Gasket Set	3406E	111-1465	3406E	5EK01821-5EK67192	Turbocharged Single Head
CTP3406252B	Inframe OH Set					
CTP3406252C	Cylinder Head Repl. Gasket Set					
CTP3406253A	Out of Frame OH Gasket Set	3406E	111-1467	3406E	5EK01821-5EK67192	Turbocharged Single Head
CTP3406253B	Inframe OH Set		111-1468			
CTP3406253C	Cylinder Head Repl. Gasket Set					

Part Number	Description	Machine Model / Application	Machine Serial Number	Engine Model	Engine Serial No.	Comments
CTP3406254A	Out of Frame OH Gasket Set	3406E	111-1469	3406E	5EK01821-5EK67192	Turbocharged Single Head
CTP3406254B	Inframe OH Set					
CTP3406254C	Cylinder Head Repl. Gasket Set					
CTP3406255A	Out of Frame OH Gasket Set	3406E	111-1470	3406E	5EK01821-5EK67192	Turbocharged Single Head
CTP3406255B	Inframe OH Set		111-1471			
CTP3406255C	Cylinder Head Repl. Gasket Set		111-1472 111-1474 111-1475			
CTP3406256A	Out of Frame OH Gasket Set	3406E	111-1473	3406E	5EK00001-5EK99999	Turbocharged Single Head
CTP3406256B	Inframe OH Set				5EK01821-5EK67192	
CTP3406256C	Cylinder Head Repl. Gasket Set					
CTP3406257A	Out of Frame OH Gasket Set	3406E	111-1476	3406E	5EK01821-5EK67192	Turbocharged Single Head
CTP3406257B	Inframe OH Set					
CTP3406257C	Cylinder Head Repl. Gasket Set					
CTP3406258A	Out of Frame OH Gasket Set	3406E	111-1478	3406E	5EK01821-5EK50518	Turbocharged Single Head
CTP3406258B	Inframe OH Set		111-1479			
CTP3406258C	Cylinder Head Repl. Gasket Set					
CTP3406259A	Out of Frame OH Gasket Set	3406E	111-1480	3406E	5EK01821-5EK67192	Turbocharged Single Head
CTP3406259B	Inframe OH Set		111-1481 111-1485			
CTP3406259C	Cylinder Head Repl. Gasket Set		111-1484 111-1493			
CTP3406260A	Out of Frame OH Gasket Set	3406E	111-1483	3406E	5EK00001-5EK99999	Turbocharged Single Head
CTP3406260B	Inframe OH Set				5EK01821-5EK67192	
CTP3406260C	Cylinder Head Repl. Gasket Set					
CTP3406261A	Out of Frame OH Gasket Set	3406E	111-1487	3406E	5EK01821-5EK67192	Turbocharged Single Head
CTP3406261B	Inframe OH Set					
CTP3406261C	Cylinder Head Repl. Gasket Set					

Part Number	Description	Machine Model / Application	Machine Serial Number	Engine Model	Engine Serial No.	Comments	
CTP3406262A	Out of Frame OH Gasket Set	3406E	111-1490 111-1491	3406E	5EK01821-5EK67192	Turbocharged Single Head	
CTP3406262B	Inframe OH Set						
CTP3406262C	Cylinder Head Repl. Gasket Set						
CTP3406263A	Out of Frame OH Gasket Set	3406E	111-1492	3406E	5EK01821-5EK67192	Turbocharged Single Head	
CTP3406263B	Inframe OH Set						
CTP3406263C	Cylinder Head Repl. Gasket Set						
CTP3406264A	Out of Frame OH Gasket Set	3406E	111-1494 111-1495 111-1496 111-1497	3406E	5EK01821-5EK50518	Turbocharged Single Head	
CTP3406264B	Inframe OH Set						
CTP3406264C	Cylinder Head Repl. Gasket Set						111-1498
							111-1499
CTP3406265A	Out of Frame OH Gasket Set	3406E	111-1500 112-6387	3406E	5EK01821-5EK67192	Turbocharged Single Head	
CTP3406265B	Inframe OH Set						
CTP3406265C	Cylinder Head Repl. Gasket Set						113-4839
CTP3406266A	Out of Frame OH Gasket Set	3406E	112-6373	3406E	5EK00001-5EK99999	Turbocharged Single Head	
CTP3406266B	Inframe OH Set						
CTP3406266C	Cylinder Head Repl. Gasket Set						5EK01821-5EK67192
CTP3406267A	Out of Frame OH Gasket Set	3406E	112-6374 112-6375 113-1075 113-1076	3406E	5EK01821-5EK50518	Turbocharged Single Head	
CTP3406267B	Inframe OH Set						
CTP3406267C	Cylinder Head Repl. Gasket Set						112-6376
CTP3406268A	Out of Frame OH Gasket Set	3406E	112-6377 112-6389 112-6390	3406E	5EK04004-5EK50518	Turbocharged Single Head	
CTP3406268B	Inframe OH Set						
CTP3406268C	Cylinder Head Repl. Gasket Set						112-6391 112-6392
CTP3406269A	Out of Frame OH Gasket Set	3406E	112-6380 112-6381 112-6382 112-6383 112-6384 112-6385	3406E	5EK01821-5EK50518	Turbocharged Single Head	
CTP3406269B	Inframe OH Set						
CTP3406269C	Cylinder Head Repl. Gasket Set						112-6384
							112-6385

Part Number	Description	Machine Model / Application	Machine Serial Number	Engine Model	Engine Serial No.	Comments	
CTP3406270A	Out of Frame OH Gasket Set	3406E	112-6386	3406E	5EK01821-5EK50518	Turbocharged Single Head	
CTP3406270B	Inframe OH Set						
CTP3406270C	Cylinder Head Repl. Gasket Set						
CTP3406271A	Out of Frame OH Gasket Set	3406E	112-6388	3406E	5EK00001-5EK99999	Turbocharged Single Head	
CTP3406271B	Inframe OH Set						
CTP3406271C	Cylinder Head Repl. Gasket Set						5EK04004-5EK50518
CTP3406272A	Out of Frame OH Gasket Set	3406E	112-6393 113-1669 113-1671	3406E	5EK01821-5EK67192	Turbocharged Single Head	
CTP3406272B	Inframe OH Set						
CTP3406272C	Cylinder Head Repl. Gasket Set						113-1675
							113-1680
CTP3406273A	Out of Frame OH Gasket Set	3406E	112-6394 112-6398 113-1674	3406E	5EK01821-5EK50518	Turbocharged Single Head	
CTP3406273B	Inframe OH Set						5EK01821-5EK67192
							5EK31658-5EK50518
CTP3406273C	Cylinder Head Repl. Gasket Set	113-4828	5EK03267-5EK50518				
CTP3406274A	Out of Frame OH Gasket Set	3406E	112-6395 113-1681	3406E	5EK01821-5EK50518	Turbocharged Single Head	
CTP3406274B	Inframe OH Set						
CTP3406274C	Cylinder Head Repl. Gasket Set						113-4822
CTP3406275A	Out of Frame OH Gasket Set	3406E	112-6396	3406E	5EK03136-5EK67192	Turbocharged Single Head	
CTP3406275B	Inframe OH Set						
CTP3406275C	Cylinder Head Repl. Gasket Set						
CTP3406276A	Out of Frame OH Gasket Set	3406E	112-6397	3406E	5EK00821-5EK67192	Turbocharged Single Head	
CTP3406276B	Inframe OH Set						
CTP3406276C	Cylinder Head Repl. Gasket Set						

Part Number	Description	Machine Model / Application	Machine Serial Number	Engine Model	Engine Serial No.	Comments
CTP3406277A	Out of Frame OH Gasket Set	3406E	113-1077	3406E	5EK11163-5EK67192	Turbocharged Single Head
CTP3406277B	Inframe OH Set					
CTP3406277C	Cylinder Head Repl. Gasket Set					
CTP3406278A	Out of Frame OH Gasket Set	3406E	113-1670	3406E	5EK02321-5EK50518	Turbocharged Single Head
CTP3406278B	Inframe OH Set		113-1677 113-1679 113-1685		5EK02826-5EK67192	
CTP3406278C	Cylinder Head Repl. Gasket Set		113-1688 113-4816			
CTP3406279A	Out of Frame OH Gasket Set	3406E	113-1672	3406E	5EK02551-5EK67192	Turbocharged Single Head
CTP3406279B	Inframe OH Set		113-1684		5EK01684-5EK67192	
CTP3406279C	Cylinder Head Repl. Gasket Set		113-4829		5EK02826-5EK06719	
CTP3406280A	Out of Frame OH Gasket Set	3406E	113-1673	3406E	5EK02551-5EK530460	Turbocharged Single Head
CTP3406280B	Inframe OH Set					
CTP3406280C	Cylinder Head Repl. Gasket Set					
CTP3406281A	Out of Frame OH Gasket Set	3406E	113-1676	3406E	5EK02826-5EK67192	Turbocharged Single Head
CTP3406281B	Inframe OH Set					
CTP3406281C	Cylinder Head Repl. Gasket Set					
CTP3406282A	Out of Frame OH Gasket Set	3406E	113-1682 113-1683	3406E	5EK02826-5EK67192	Turbocharged Single Head
CTP3406282B	Inframe OH Set		113-1686 113-1687			
CTP3406282C	Cylinder Head Repl. Gasket Set		113-4813 113-4814			
CTP3406283A	Out of Frame OH Gasket Set		3406E			
CTP3406283B	Inframe OH Set					
CTP3406283C	Cylinder Head Repl. Gasket Set					
CTP3406284A	Out of Frame OH Gasket Set	3406E	113-4817 113-4818 113-4820	3406E	5EK02826-5EK67192	Turbocharged Single Head
CTP3406284B	Inframe OH Set		113-4821		5EK03136-5EK67192	
CTP3406284C	Cylinder Head Repl. Gasket Set		113-4846		5EK03267-5EK31789	

Part Number	Description	Machine Model / Application	Machine Serial Number	Engine Model	Engine Serial No.	Comments
CTP3406285A	Out of Frame OH Gasket Set	3406E	113-4825	3406E	5EK03136-5EK67192	Turbocharged Single Head
CTP3406285B	Inframe OH Set					
CTP3406285C	Cylinder Head Repl. Gasket Set					
CTP3406286A	Out of Frame OH Gasket Set	3406E	113-4826	3406E	5EK03267-5EK50518	Turbocharged Single Head
CTP3406286B	Inframe OH Set		113-4830 113-4831 113-4832		5EK03136-5EK50518	
CTP3406286C	Cylinder Head Repl. Gasket Set		113-4843		5EK04525-5EK50518	
CTP3406287A	Out of Frame OH Gasket Set	3406E	113-4827	3406E	5EK02719-5EK67192	Turbocharged Single Head
CTP3406287B	Inframe OH Set		113-4851		5EK04004-5EK67192	
CTP3406287C	Cylinder Head Repl. Gasket Set		113-4853			
CTP3406288A	Out of Frame OH Gasket Set	3406E	113-4834	3406E	5EK03349-5EK11105	Turbocharged Single Head
CTP3406288B	Inframe OH Set		113-4835			
CTP3406288C	Cylinder Head Repl. Gasket Set		113-4857		5EK03708-5EK67192	
CTP3406289A	Out of Frame OH Gasket Set	3406E	113-4838	3406E	5EK03724-5EK67192	Turbocharged Single Head
CTP3406289B	Inframe OH Set		113-4842			
CTP3406289C	Cylinder Head Repl. Gasket Set					
CTP3406290A	Out of Frame OH Gasket Set	3406E	113-4844	3406E	5EK04004-5EK50518	Turbocharged Single Head
CTP3406290B	Inframe OH Set		113-4854			
CTP3406290C	Cylinder Head Repl. Gasket Set		113-4849		5EK04525-5EK50518	
CTP3406291A	Out of Frame OH Gasket Set	3406E	113-4850	3406E	5EK04329-5EK67192	Turbocharged Single Head
CTP3406291B	Inframe OH Set					
CTP3406291C	Cylinder Head Repl. Gasket Set					
CTP3406292A	Out of Frame OH Gasket Set	3406E	113-4855	3406E	5EK04004-5EK30460	Turbocharged Single Head
CTP3406292B	Inframe OH Set					
CTP3406292C	Cylinder Head Repl. Gasket Set					

Part Number	Description	Machine Model / Application	Machine Serial Number	Engine Model	Engine Serial No.	Comments
CTP3406293A	Out of Frame OH Gasket Set	3406E	113-4856	3406E	5EK03708-5EK67192	Turbocharged Single Head
CTP3406293B	Inframe OH Set					
CTP3406293C	Cylinder Head Repl. Gasket Set					
CTP3406294A	Out of Frame OH Gasket Set	3406E	113-4858	3406E	5EK03708-5EK50518	Turbocharged Single Head
CTP3406294C	Cylinder Head Repl. Gasket Set					
CTP3406295A	Out of Frame OH Gasket Set	3406E	113-4859	3406E	5EK03349-5EK67192	Turbocharged Single Head
CTP3406295C	Cylinder Head Repl. Gasket Set					
CTP3406296A	Out of Frame OH Gasket Set	3406C, D8R, 3406 C/E	222-5432	3406E	41Z01-UP	
CTP3406297A	Out of Frame OH Gasket Set	3406E	7C6843	3406E	6TB7990-UP	Turbocharged Single Head
CTP3406297B	Inframe OH Set					
CTP3406097C	Cylinder Head Repl. Gasket Set					
CTP3406298A	Out of Frame OH Gasket Set	D8N	9Y-5555	3406E	11N4939-UP	Turbocharged Single Head
CTP3406298B	Inframe OH Set					
CTP3406098C	Cylinder Head Repl. Gasket Set					
CTP3406299A	Out of Frame OH Gasket Set	3406	150-2982	3406	1DZ00001-1DZ99999	Turbocharged Single Head
CTP3406299B	Inframe OH Set					
CTP3406299C	Cylinder Head Repl. Gasket Set					

3408

Part Number	Description	Machine Model / Application	Machine Serial Number / Engine Arrangement	Engine Model	Engine Serial No.	Comments
CTP3408001A	Out of Frame OH Gasket Set	D8L	4FB1-UP	3408	48W177927-UP	Aftercooled Turbocharged With 19 Bolt Fly-wheel Housing
CTP3408001B	Inframe OH Set					
CTP3408001C	Cylinder Head Repl. Gasket Set					
CTP3408001D	Single Cyl. Head Repl. Gasket Set					

Part Number	Description	Machine Model / Application	Machine Serial Number / Engine Arrangement	Engine Model	Engine Serial No.	Comments
CTP3408002A	Out of Frame OH Gasket Set	Industrial	4N2242	3408	67U1335-UP	Aftercooled Turbocharged With 24 Bolt Fly-wheel Housing
CTP3408002B	Inframe OH Set					
CTP3408002C	Cylinder Head Repl. Gasket Set					
CTP3408002D	Single Cyl. Head Repl. Gasket Set					
CTP3408003A	Out of Frame OH Gasket Set	988B	4N6724	3408	48W950-UP	Non Aftercooled Turbocharged With 19 Bolt Fly-wheel Housing
CTP3408003B	Inframe OH Set					
CTP3408003C	Cylinder Head Repl. Gasket Set					
CTP3408003D	Single Cyl. Head Repl. Gasket Set					
CTP3408004A	Out of Frame OH Gasket Set	768C 769C	2X1-UP 1X1-UP	3408	48W1-UP	Aftercooled Turbocharged With 19 Bolt Fly-wheel Housing
CTP3408004B	Inframe OH Set					
CTP3408004C	Cylinder Head Repl. Gasket Set					
CTP3408004D	Single Cyl. Head Repl. Gasket Set					
CTP3408005A	Out of Frame OH Gasket Set	D9N	1JD1-UP 6XJ1-UP	3408	48W23086-UP 48W35650-UP	Aftercooled Turbocharged D.I. With 19 Bolt Fly-wheel Housing
CTP3408005B	Inframe OH Set					
CTP3408005C	Cylinder Head Repl. Gasket Set					
CTP3408005D	Single Cyl. Head Repl. Gasket Set					
CTP3408006A	Out of Frame OH Gasket Set	631D FRONT 633D FRONT 637D FRONT	24W1-UP 25W1-UP 26W1-UP 27W1-UP	3408	48W950-UP	Aftercooled Turbocharged With 24 Bolt Fly-wheel Housing
CTP3408006B	Inframe OH Set					
CTP3408006C	Cylinder Head Repl. Gasket Set					
CTP3408006D	Single Cyl. Head Repl. Gasket Set					
CTP3408007A	Out of Frame OH Gasket Set	Marine	4N2243	3408	99U585-UP 78Z	Aftercooled Turbocharged With 24 Bolt Fly-wheel Housing
CTP3408007B	Inframe OH Set					
CTP3408007C	Cylinder Head Repl. Gasket Set					
CTP3408007D	Single Cyl. Head Repl. Gasket Set					

Part Number	Description	Machine Model / Application	Machine Serial Number / Engine Arrangement	Engine Model	Engine Serial No.	Comments
CTP3408008A	Out of Frame OH Gasket Set	Truck	9N0805	3408	28V428-UP	Aftercooled Turbocharged With 24 Bolt Flywheel Housing
CTP3408008B	Inframe OH Set					
CTP3408008C	Cylinder Head Repl. Gasket Set					
CTP3408008D	Single Cyl. Head Repl. Gasket Set					
CTP3408009A	Out of Frame OH Gasket Set	631E FRONT 637E FRONT 657E REAR	1W3782	3408	77M01-UP 48W19968-UP 73W3857-UP	Aftercooled Turbocharged D.I. With 24 Bolt Flywheel Housing
CTP3408009B	Inframe OH Set					
CTP3408009C	Cylinder Head Repl. Gasket Set					
CTP3408009D	Single Cyl. Head Repl. Gasket Set					
CTP3408010A	Out of Frame OH Gasket Set	D8L	2Y8918 7N2010	3408	48W13008- 17791 77M1-UP	Non Aftercooled Turbocharged With 19 Bolt Flywheel Housing
CTP3408010B	Inframe OH Set					
CTP3408010C	Cylinder Head Repl. Gasket Set					
CTP3408010D	Single Cyl. Head Repl. Gasket Set					
CTP3408011A	Out of Frame OH Gasket Set	988F	4P4988	3408	48W35089-UP	Aftercooled Turbocharged D.I. With 19 Bolt Flywheel Housing
CTP3408011B	Inframe OH Set					
CTP3408011C	Cylinder Head Repl. Gasket Set					
CTP3408011D	Single Cyl. Head Repl. Gasket Set					
CTP3408012A	Out of Frame OH Gasket Set	69D 771D 834B 836C	2032787	3408	99C01-UP	Aftercooled Turbocharged With 19 Bolt Flywheel Housing HEUI® Engine
CTP3408012B	Inframe OH Set					
CTP3408012C	Cylinder Head Repl. Gasket Set					
CTP3408012D	Single Cyl. Head Repl. Gasket Set					
CTP3408013A	Out of Frame OH Gasket Set	988F	1221116	3408	99C01-UP	Aftercooled Turbocharged With 19 Bolt Flywheel Housing HEUI® Engine
CTP3408013B	Inframe OH Set					
CTP3408013C	Cylinder Head Repl. Gasket Set					
CTP3408013D	Single Cyl. Head Repl. Gasket Set					

Part Number	Description	Machine Model / Application	Machine Serial Number / Engine Arrangement	Engine Model	Engine Serial No.	Comments
CTP3408014A	Out of Frame OH Gasket Set	631E FRONT	1AB1640-UP 1BB1540-UP 1NB1390-UP	3408	99C01-UP	Aftercooled Turbocharged With 24 Bolt Flywheel Housing HEUI® Engine
CTP3408014B	Inframe OH Set					
CTP3408014C	Cylinder Head Repl. Gasket Set					
CTP3408014D	Single Cyl. Head Repl. Gasket Set					
CTP3408015A	Out of Frame OH Gasket Set	**			48W	Turbocharged
CTP3408015B	Inframe OH Set					
CTP3408015C	Cylinder Head Repl. Gasket Set					
CTP3408015D	Single Cyl. Head Repl. Gasket Set					
CTP3408016A	Out of Frame OH Gasket Set	3408C Marine Auxiliary & Generator Turbocharger	131-5407	3408	1TS00001- 1TS99999	Aftercooled Turbocharged Single Head
CTP3408016B	Inframe OH Set					
CTP3408016C	Cylinder Head Repl. Gasket Set					
CTP3408016D	Single Cyl. Head Repl. Gasket Set					
CTP3408017A	Out of Frame OH Gasket Set	3408C Marine Auxiliary & Generator Turbocharger	131-5408	3408	1TS00001- 1TS99999	Aftercooled Turbocharged Single Head
CTP3408017B	Inframe OH Set					
CTP3408017C	Cylinder Head Repl. Gasket Set					
CTP3408017D	Single Cyl. Head Repl. Gasket Set					
CTP3408018A	Out of Frame OH Gasket Set	3408C Marine Auxiliary & Generator Turbocharger	177-3060 177-3061 177-3062 177-3063	3408	1TS00001- 1TS99999	Aftercooled Turbocharged Single Head
CTP3408018B	Inframe OH Set					
CTP3408018C	Cylinder Head Repl. Gasket Set					
CTP3408018D	Single Cyl. Head Repl. Gasket Set					
CTP3408019A	Out of Frame OH Gasket Set	D9R	139-3291 206-1494 362-6597	3408	48W00001- 48W99999	
CTP3408019B	Inframe OH Set					
CTP3408019C	Cylinder Head Repl. Gasket Set					

Part Number	Description	Machine Model / Application	Machine Serial Number / Engine Arrangement	Engine Model	Engine Serial No.	Comments
CTP3408020A	Out of Frame OH Gasket Set	D9R	139-3288	3408	99C00001-99C99999	
CTP3408020B	Inframe OH Set					
CTP3408020C	Cylinder Head Repl. Gasket Set					
CTP3408021A	Out of Frame OH Gasket Set	D9R	163-5784	3408	5XD00001-5XD99999	
CTP3408021B	Inframe OH Set					
CTP3408021C	Cylinder Head Repl. Gasket Set					
CTP3408022A	Out of Frame OH Gasket Set	D9R	163-5785	3408	5XD00001-5XD99999	
CTP3408022B	Inframe OH Set					
CTP3408022C	Cylinder Head Repl. Gasket Set					

3412

Part Number	Description	Machine Model / Application	Machine Serial Number	Engine Model	Engine Serial No.	Comments
CTP3412001A	Out of Frame OH Gasket Set	990B 992C 992D	7HK1-UP 42X1-UP 49Z1-UP 7MJ1-UP	3412	73W01-UP	Aftercooled Turbocharged With 19 Bolt Flywheel Housing
CTP3412001B	Inframe OH Set					
CTP3412001C	Cylinder Head Repl. Gasket Set					
CTP3412001D	Single Cyl. Head Repl. Gasket Set					
CTP3412002A	Out of Frame OH Gasket Set	772B 773B 775B	64W1-UP 63W1-UP 7XJ1-UP	3412	73W01-UP	Aftercooled Turbocharged With 19 Bolt Flywheel Housing
CTP3412002B	Inframe OH Set					
CTP3412002C	Cylinder Head Repl. Gasket Set					
CTP3412002D	Single Cyl. Head Repl. Gasket Set					
CTP3412003A	Out of Frame OH Gasket Set	D10N	2YD1-UP	3412	73W8338-UP	Aftercooled Turbocharged D.I. Engine With 19 Bolt Flywheel Housing
CTP3412003B	Inframe OH Set					
CTP3412003C	Cylinder Head Repl. Gasket Set					
CTP3412003D	Single Cyl. Head Repl. Gasket Set					

Part Number	Description	Machine Model / Application	Machine Serial Number	Engine Model	Engine Serial No.	Comments
CTP3412004A	Out of Frame OH Gasket Set	D10R 651E 657E	3KR1-UP 4YR1-UP 4XR1-UP 6TR1-UP 5YR1-UP	3412	80M01-UP	Aftercooled Turbocharged HEUI® Engine With 19 Bolt Flywheel Housing
CTP3412004B	Inframe OH Set					
CTP3412004C	Cylinder Head Repl. Gasket Set					
CTP3412004D	Single Cyl. Head Repl. Gasket Set					
CTP3412005A	Out of Frame OH Gasket Set	Industrial				3412 3412C 3412C W/ 4 SEQ TURBOS
CTP3412005B	Inframe OH Set					
CTP3412005C	Cylinder Head Repl. Gasket Set					
CTP3412005D	Single Cyl. Head Repl. Gasket Set					
CTP3412006A	Out of Frame OH Gasket Set	Marine		3412	60M01-UP 9BR01-UP	Aftercooled Turbocharged With 19 Bolt Flywheel Housing
CTP3412006B	Inframe OH Set					
CTP3412006C	Cylinder Head Repl. Gasket Set					
CTP3412006D	Single Cyl. Head Repl. Gasket Set					
CTP3412007A	Out of Frame OH Gasket Set	D9L	14Y1-UP	3412	73W1224-UP	Turbocharged With 19 Bolt Flywheel Housing
CTP3412007B	Inframe OH Set					
CTP3412007C	Cylinder Head Repl. Gasket Set					
CTP3412007D	Single Cyl. Head Repl. Gasket Set					
CTP3412008A	Out of Frame OH Gasket Set	651E FRONT 657E FRONT	89Z1-UP 90Z1UP 91Z1-UP	3412	73W3857-UP	Aftercooled Turbocharged With 19 Bolt Flywheel Housing
CTP3412008B	Inframe OH Set					
CTP3412008C	Cylinder Head Repl. Gasket Set					
CTP3412008D	Single Cyl. Head Repl. Gasket Set					
CTP3412009A	Out of Frame OH Gasket Set	3412E INDUSTRIAL	1314014	3412	4CR00493-UP	Turbocharged
CTP3412009B	Inframe OH Set					
CTP3412009C	Cylinder Head Repl. Gasket Set					
CTP3412009D	Single Cyl. Head Repl. Gasket Set					

Part Number	Description	Machine Model / Application	Machine Serial Number	Engine Model	Engine Serial No.	Comments
CTP3412010A	Out of Frame OH Gasket Set	INDUSTRIAL	125-0502	3412	4CR1-UP	Aftercooled Turbocharged With 19 Bolt Flywheel Housing HEUI® Engine
CTP3412010B	Inframe OH Set					
CTP3412010C	Cylinder Head Repl. Gasket Set					
CTP3412010D	Single Cyl. Head Repl. Gasket Set					
CTP3412012A	Out of Frame OH Gasket Set	844 990	1221117	3412	80M01-UP	Aftercooled Turbocharged HEUI ® Engine
CTP3412012B	Inframe OH Set					
CTP3412012C	Cylinder Head Repl. Gasket Set					
CTP3412012D	Single Cyl. Head Repl. Gasket Set					
CTP3412013A	Out of Frame OH Gasket Set	3412	118-1296 119-1047	3412	38S00001- 38S99999	
CTP3412013B	Inframe OH Set					
CTP3412013C	Cylinder Head Repl. Gasket Set					
CTP3412013D	Single Cyl. Head Repl. Gasket Set					

3456

Part Number	Description	Machine Model / Application	Engine Arrangement	Engine Model	Engine Serial No.	Comments
CTP3456001A	Out of Frame OH Gasket Set	988G	133-3840 180-4188 238-1807	3456	7RC01-UP	
CTP3456001B	Inframe OH Set					
CTP3456001C	Cylinder Head Repl. Gasket Set					

3508

Part Number	Description	Machine Model / Application	Machine Serial Number / Engine Arrangement	Engine Model	Engine Serial No.	Comments
CTP3508001A	Out of Frame OH Gasket Set	D11N 776B 777B	74Z1-UP 6JC1UP 4YC1-UP	3508	99W01-UP	Aftercooled Turbocharged
CTP3508001B	Inframe OH Set					
CTP3508001C	Cylinder Head Repl. Gasket Set					
CTP3508001D	Single Cyl. Head Repl. Gasket Set					
CTP3508002A	Out of Frame OH Gasket Set	D11N 776C 777C	4HK1-UP 2KT1-UP 4XJ1-UP	3508	7YG01-UP	Aftercooled Turbocharged
CTP3508002B	Inframe OH Set					
CTP3508002C	Cylinder Head Repl. Gasket Set					
CTP3508002D	Single Cyl. Head Repl. Gasket Set					
CTP3508003A	Out of Frame OH Gasket Set	D11R 776D 777D 854G 992G 5130B	1555556 1350135 1044777 1550537 1078762 1611592 1632630	3508B	2GR01-UP	Aftercooled Turbocharged EUI Engine Non Ceramic Dry Exhaust Manifolds
CTP3508003B	Inframe OH Set					
CTP3508003C	Cylinder Head Repl. Gasket Set					
CTP3508003D	Single Cyl. Head Repl. Gasket Set					
CTP3508005A	Out of Frame OH Gasket Set	INDUSTRIAL GENERATOR	1W4210 1W4211 4W0281 4W0280 1438159 7N8704 2W8406 7N8701	3508	68Z1-UP 95Y1-UP 23Z1-UP 70Z1-UP	Aftercooled Turbocharged Dry Exhaust Manifolds
CTP3508005B	Inframe OH Set					
CTP3508005C	Cylinder Head Repl. Gasket Set					
CTP3508005D	Single Cyl. Head Repl. Gasket Set					
CTP3508006A	Out of Frame OH Gasket Set	INDUSTRIAL GENERATOR MARINE		3508	68Z1-UP 95Y1-UP 69Z1-UP 23Z1-UP 70Z1-UP 96Y1-UP	Aftercooled Turbocharged Wet Exhaust Manifolds
CTP3508006B	Inframe OH Set					
CTP3508006C	Cylinder Head Repl. Gasket Set					
CTP3508006D	Single Cyl. Head Repl. Gasket Set					

Part Number	Description	Machine Model / Application	Engine Arrangement	Engine Model	Engine Serial No.	Comments
CTP3508007C	Cylinder Head Repl. Gasket Set	GENERATOR		3508B	4GM1-UP 6PN1-UP 2HW1-UP	Turbocharged EUI Dry Exhaust Manifolds
CTP3508007D	Single Cyl. Head Repl. Gasket Set					
CTP3508009A	Out of Frame OH Gasket Set	MARINE	100-8325 100-8316 173-6943	3508	3DM01-UP 7SM01-UP 1TW01-UP	Turbocharged
CTP3508009B	Inframe OH Set					
CTP3508009C	Cylinder Head Repl. Gasket Set					
CTP3508009D	Single Cyl. Head Repl. Gasket Set					

3512

Part Number	Description	Machine Model / Application	Engine Arrangement	Engine Model	Engine Serial No.	Comments
CTP3512001A	Out of Frame OH Gasket Set	INDUSTRIAL GENERATOR		3512	49YI-UP 51Y1-UP 24Z1-UP 65Z1-UP 67Z1-UP	Aftercooled turbocharged with dry exhaust manifolds
CTP3512001B	Inframe OH Set					
CTP3512001C	Multiple Cyl. Head Repl. Gasket Set					
CTP3512001D	Single Cyl. Head Repl. Gasket Set					
CTP3512002C	Multiple Cyl. Head Repl. Gasket Set	785D OEM OFF-HIGHWAY TRUCK	278-0555 323-5312	3512	B7F00001- B7F00328	
CTP3512002D	Single Cyl. Head Repl. Gasket Set	785D OFF-HIGHWAY TRUCK	365-9312 365-9313			
CTP3512004A	Out of Frame OH Gasket Set	INDUSTRIAL & VEHICULAR	1086286 1732945 8N5803 2W8863 9Y6267	3512	1LM01-UP 2AF01-UP 51Y01-UP	Aftercooled Turbocharged Multiple Cyl. Head
CTP3512004B	Inframe OH Set					
CTP3512004C	Multiple Cyl. Head Repl. Gasket Set					
CTP3512004D	Single Cyl. Head Repl. Gasket Set					

Part Number	Description	Machine Model / Application	Engine Arrangement	Engine Model	Engine Serial No.	Comments
CTP3512005A	Out of Frame OH Gasket Set	3512	2322508 2322514 2362459	3512	S2L00001- S2L99999	Single Head
CTP3512005B	Inframe OH Set					
CTP3512005C	Cylinder Head Repl. Gasket Set					
CTP3512005D	Single Cyl. Head Repl. Gasket Set					
CTP3512006A	Out of Frame OH Gasket Set	MARINE	2W-8868	3512	66Z00665- 66Z99999	
CTP3512006B	Inframe OH Set		1W-4219		66Z00001- 66Z99999	
CTP3512006C	Cylinder Head Repl. Gasket Set					
CTP3512006D	Single Cyl. Head Repl. Gasket Set					

3516

Part Number	Description	Machine Model / Application	Engine Arrangement	Engine Model	Engine Serial No.	Comments
CTP3516001A	Out of Frame OH Gasket Set	NATURAL GAS	9Y0598	G3516	3RC196-1254 3RC182-UP	Turbocharged Multiple Cyl Head water-air aftercooler
CTP3516001B	Inframe OH Set					
CTP3516001C	Cylinder Head Repl. Gasket Set					
CTP3516001D	Single Cyl. Head Repl. Gasket Set					
CTP3516002A	Out of Frame OH Gasket Set	NATURAL GAS Generator CSZ	7C-1301	3516	25Z01-25ZUP	Turbocharged
CTP3516002B	Inframe OH Set					
CTP3516002C	Cylinder Head Repl. Gasket Set					
CTP3516002D	Single Cyl. Head Repl. Gasket Set					

Part Number	Description	Machine Model / Application	Engine Arrangement	Engine Model	Engine Serial No.	Comments
CTP3516003A	Out of Frame OH Gasket Set	793C OFF-HIGHWAY TRUCK	147-0797 147-0825 196-9173	3516	8WM00001-8WM99999	
CTP3516003B	Inframe OH Set					
CTP3516003C	Cylinder Head Repl. Gasket Set					
CTP3516003D	Single Cyl. Head Repl. Gasket Set					
CTP3516004C	Cylinder Head Repl. Gasket Set	793C OFF-HIGHWAY TRUCK	147-0825	3516	8WM00129-8WM00140	
CTP3516004D	Single Cyl. Head Repl. Gasket Set					
CTP3516005A	Cylinder Head Repl. Gasket Set	793D OFF-HIGHWAY TRUCK	235-0300 373-9863	3516	8WM00001-8WM99999	
CTP3516005B	Inframe OH Set					
CTP3516005C	Cylinder Head Repl. Gasket Set					
CTP3516005D	Single Cyl. Head Repl. Gasket Set					
CTP3516006A	Out of Frame OH Gasket Set	793D OFF-HIGHWAY TRUCK	288-4348		8WM00001-8WM99999	
CTP3516006B	Inframe OH Set					
CTP3516006C	Cylinder Head Repl. Gasket Set					
CTP3516006D	Single Cyl. Head Repl. Gasket Set					
CTP3516007C	Cylinder Head Repl. Gasket Set	994F WHEEL LOADER	240-7750		8WM00001-8WM99999	
CTP3516007D	Single Cyl. Head Repl. Gasket Set					
CTP3516008A	Out of Frame OH Gasket Set	3516B MARINE	234-2795		S2X00001-S2X99999	
CTP3516008B	Inframe OH Set					
CTP3516008C	Cylinder Head Repl. Gasket Set					
CTP3516008D	Single Cyl. Head Repl. Gasket Set					

3520G

Part Number	Description	Machine Model / Application	Engine Arrangement	Engine Model	Engine Serial No.	Comments
CTPG3520001C	Cylinder Head Repl. Gasket Set	G3520C GENERATOR SET	212-4365	G3516	GDB00001-GDB99999	
CTPG3520001D	Single Cyl. Head Repl. Gasket Set		319-8117		GZA00001-GZA99999	
			313-6082		GZB00001-GZB99999	RLP00001-RLP99999

D353

Part Number	Description	Machine Model / Application	Engine Arrangement	Engine Model	Engine Serial No.	Comments
CTPD353001A	Out of Frame OH Gasket Set	D9	4N-5998	D353	97U00001-97U07921	
CTPD353001B	Inframe OH Set					
CTPD353001C	Cylinder Head Repl. Gasket Set					
CTPD353002A	Out of Frame OH Gasket Set	INDUSTRIAL	7N-4374	D353	46B06600-46B99999	
CTPD353002B	Inframe OH Set					
CTPD353002C	Cylinder Head Repl. Gasket Set					

TORQUE SPECIFICATIONS

C-7

Description	Specifications
Intake Manifold	10-20 FT/LBS
Exhaust Manifold	29-37 FT/LBS
Cylinder Head	LARGE: 99-121, 305-335, REPEAT 305-335 FT/LBS, SMALL: 36-46#

Additional Torque Specifications

Description	Specifications
Rocker Shaft Bolt	20-30 FT/LBS
Rocker Arm Locknut	13-23 FT/LBS
Injector Hold Down Bolt	72-144 IN/LBS

Tune-up Specifications

Description	Specifications
Intake Valve Lash	.012- .018" Cold
Exhaust Valve Lash	.022- .028" Cold

TORQUE SPECIFICATIONS

The information contained within CTP ABC Gasket Kits Catalog is provided by the best available sources. CTP does not assume responsibility for data accuracy or consequences of its application. Refer to your equipment manual.

TORQUE SPECIFICATIONS

C-9/C-11

Description	Specifications
Exhaust Manifold	STUD TAPERLOCK NUTS 22-30 FT/LBS W/ANTI-SEIZE, 40-48 #S
Cylinder Head	Acert M16 Bolts 1-26 118 FT/LBS, Retighten 118 FT/LBS, Retighten Third Time 118 FT/LBS, Mark Bolts then +90° Rotation, Now Tighten Bolts 27-31 14-26 FT/LBS

Tune-up Specifications

Description	Specifications
Intake Valve Lash	.012-.018° C
Exhaust Valve Lash	.022-.028° C

The information contained within CTP ABC Gasket Kits Catalog is provided by the best available sources. CTP does not assume responsibility for data accuracy or consequences of its application. Refer to your equipment manual.

TORQUE SPECIFICATIONS

C-10/C-12

Description	Specifications
Intake Manifold	34-48 FT/LBS
Exhaust Manifold	34-48 FT/LBS Locknuts, 22-30 FT/LBS STUDS
Cylinder Head	Full Shank: # 1-26 = 99-121 FT/LBS +90°, #27-33 = 15-25 FT/LBS*

Additional Torque Specifications

Description	Specifications
Rocker Shaft Bolts	75 FT/LBS, Rocker Arm Lock Nuts: 13-23 FT/LBS
Turbocharger-Exh Manifold	51 FT/LBS
Injector Hold Down Bolt	Always Replace Bolts, 17-27 FT/LBS

Tune-up Specifications

Description	Specifications
Intake Valve Lash	.015° Cold
Exhaust Valve Lash	.025° Cold (.635 MM)

Comments	<p>1. Replace all cylinder head bolts, Part# 129-3184, reduced shank bolts. (Jake engines use stud Part# 132-3229). Failure to replace the bolts that have corrosion damage, may lead to premature yielding or breakage, or bolt load due to damaged threads.</p> <p>2. Check cylinder head/block deck surface for warpage. Use a straight edge and feeler gauge. Surface flatness specs are as follows: .002" per 6" or .006" overall. If decks are uneven, this could lead to uneven gasket sealing. If either or head surface is out of spec, replacement or resurfacing is required.</p> <p>3. Use an M16 X 2 (8T-3096) non-bottoming hand tap to run down each of the 26 bolt holes in the block and then clean all holes with compressed air. Use of the tap will remove debris from the threads of the cylinder block head bolt holes. If threads are not cleaned out, the head bolt will not be allowed to reach the correct clamping load.</p> <p>4. Inspect threads in cylinder block.</p>
	To properly torque the cylinder head bolts, lubricate all bolt threads, underside of head bolt and washer with 6V-4876 molycoat paste or aftermarket equivalent.

The information contained within CTP ABC Gasket Kits Catalog is provided by the best available sources. CTP does not assume responsibility for data accuracy or consequences of its application. Refer to your equipment manual.

TORQUE SPECIFICATIONS

C-13

Description	Specifications
Cylinder Head	125 FT/LBS, 125 FT/LBS + 120°, loosen all, REPEAT 3 STEPS

Tune-up Specifications

Description	Specifications
Intake Valve Lash	0.12-.018" Cold
Exhaust Valve Lash	0.22-.028" Cold (.559-.711MM)

C-15

Description	Specifications
Cylinder Head	189-211, 319-341 FT/LBS, REPEAT 319-341 FT/LBS

Tune-up Specifications

Description	Specifications
Intake Valve Lash	.015" (.381 MM)
Exhaust Valve Lash	.030" (.762 MM)

The information contained within CTP ABC Gasket Kits Catalog is provided by the best available sources. CTP does not assume responsibility for data accuracy or consequences of its application. Refer to your equipment manual.

TORQUE SPECIFICATIONS

C-18

Description	Specifications
Cylinder Head	189-211, 319-341 FT/LBS, REPEAT 319-341 FT/LBS

Tune-up Specifications

Description	Specifications
Intake Valve Lash	.015" (.381 MM)
Exhaust Valve Lash	.030" (.762 MM)

C-27

Description	Specifications
Exhaust Manifold	15, 28 FT/LBS
Cylinder Head	1-26: 200, 330, 330 FT/LBS 27-39: 33 FT/LBS

Tune-up Specifications

Description	Specifications
Intake Valve Lash	.012"-.018" COLD
Exhaust Valve Lash	.027" - .033" COLD (.680 - .840 MM)

The information contained within CTP ABC Gasket Kits Catalog is provided by the best available sources. CTP does not assume responsibility for data accuracy or consequences of its application. Refer to your equipment manual.

TORQUE SPECIFICATIONS

3116

Description	Specifications
Intake Manifold	10-20 FT/LBS
Exhaust Manifold	29-37 FT/LBS
Cylinder Head	SEE COMMENTS

Tune-up Specifications

Description	Specifications
Intake Valve Lash	.015" Cold
Exhaust Valve Lash	.025" Cold (.635 MM)

Comments	1989-98 Caterpillar 3116 & 3126 diesel engines. The 3116 engine has been designed by Caterpillar for GMC and Chevrolet medium size trucks. The 3126 engine has been developed for marine and industrial use. Although there are differences in the two engines listed above, they share the same cylinder head installation procedure. There are a combination of fourteen M20 and six M10 cylinder head mounting bolts used. Follow the steps shown below to correctly install the cylinder head.
	1. Apply small amounts of engine oil on the bolt threads and bolt head underside.
	2. Tighten large M20 bolts in numbered sequence to 99-121 ft/lbs.
	3. Tighten large M20 bolts in numbered sequence to 305-335 ft/lbs.
	4. Re-tighten large M20 bolts in numbered sequence to 305-335 ft/lbs.
	5. Tighten small M10 bolts in numbered sequence to 36-46 ft/lbs.
	To achieve an effective head gasket seal, the proper installation procedure must be followed to prevent possible engine coolant or compression leaks.

The information contained within CTP ABC Gasket Kits Catalog is provided by the best available sources. CTP does not assume responsibility for data accuracy or consequences of its application. Refer to your equipment manual.

TORQUE SPECIFICATIONS

3126

Description	Specifications
Intake Manifold	10-20 FT/LBS
Exhaust Manifold	29-37 FT/LBS
Cylinder Head	99-121, 305-335, 305-335# M20, 36-46# SMALL M10 BOLTS

Tune-up Specifications

Description	Specifications
Intake Valve Lash	.015" Cold
Exhaust Valve Lash	.025" Cold (.635 MM)

Comments	SAME FAMILY AS 3116
-----------------	---------------------

The information contained within CTP ABC Gasket Kits Catalog is provided by the best available sources. CTP does not assume responsibility for data accuracy or consequences of its application. Refer to your equipment manual.

TORQUE SPECIFICATIONS

3126B

Description	Specifications
Intake Manifold	10-20 FT/LBS
Exhaust Manifold	29-37 FT/LBS
Cylinder Head	LARGE: 99-121, 305-335, REPEAT 305-335 FT/LBS, SMALL: 36-46#

Additional Torque Specifications

Description	Specifications
Rocker Shaft Bolt	20-30 FT/LBS
Rocker Arm Locknut	13-23 FT/LBS
Injector Hold Down Bolt	72-144 IN/LBS

Tune-up Specifications

Description	Specifications
Intake Valve Lash	.012-.018" Cold
Exhaust Valve Lash	.022-.028" Cold

Comments	3 VALVES PER CYLINDER
-----------------	-----------------------

The information contained within CTP ABC Gasket Kits Catalog is provided by the best available sources. CTP does not assume responsibility for data accuracy or consequences of its application. Refer to your equipment manual.

TORQUE SPECIFICATIONS

3126E

Description	Specifications
Intake Manifold	10-20 FT/LBS
Exhaust Manifold	29-37 FT/LBS
Cylinder Head	LARGE: 99-121, 305-335, REPEAT 305-335 FT/LBS, SMALL: 36-46#

Additional Torque Specifications

Description	Specifications
Rocker Shaft Bolt	20-30 FT/LBS
Rocker Arm Locknut	13-23 FT/LBS
Injector Hold Down Bolt	72-144 IN/LBS

Tune-up Specifications

Description	Specifications
Intake Valve Lash	.012-.018" Cold
Exhaust Valve Lash	.022-.028" Cold

The information contained within CTP ABC Gasket Kits Catalog is provided by the best available sources. CTP does not assume responsibility for data accuracy or consequences of its application. Refer to your equipment manual.

TORQUE SPECIFICATIONS

3208

Description	Specifications
Intake Manifold	32 FT/LBS
Exhaust Manifold	32 FT/LBS
Cylinder Head	BOLT 1-18= 60, 110, 110 FT/LB BOLT 19-22= 32 FT/LBS

Revised bolts are also identified by "7" dash markings, previous bolts carry "6" dash markings. The revised bolts ("7" dash) are mad of a higher tensile strength metal and allow 15-35 ft/lbs of additional torque. These engines use five different length head bolts as shown in the chart below.

Bolt Location	Bolt Length & Quantity	"7" Dash Part Number
2,4,5,10	5.250", 4 required per head	6F5282
19,20,21	5.000", 3 required per head	5B9603
1,3,6,7,8,9	4.750", 6 required per head	2B2006
12,14,16,17	3.000", 4 required per head	0L1329
11,13,15,18	2.250", 4 required per head	2B0947

All bolts should have a light coating of Molykote lubricant 6V4876 applied on the threads before installation. The torquing procedure for these engines involves six steps as indicated below. All bolts should be tightened in sequence shown below.

Torquing Procedure	"6 Dash Bolts	"7" Dash Bolts
Torque Bolts 1-18	90-100 ft/lbs	105-115 ft/lbs
Loosen Bolts 1-18 Completely	N/A	N/A
Torque Bolts 1-18	50-70 ft/lbs	50-70 ft/lbs
Torque Bolts 1-18	90-100 ft/lbs	105-115 ft/lbs
Torque Bolts 1-10 Again	90-100 ft/lbs	115-125 ft/lbs
Torque Bolts 19-22	27-37 ft/lbs	27-37 ft/lbs

It's important to note that if the higher torque value is used on the "6" dash bolts, they may yield (stretch) and lose their clamping ability. Caterpillar is currently supplying only the revised "7" dash bolt.

The information contained within CTP ABC Gasket Kits Catalog is provided by the best available sources. CTP does not assume responsibility for data accuracy or consequences of its application. Refer to your equipment manual.

TORQUE SPECIFICATIONS

3304

Description	Specifications
Cylinder Head	115, 175, 175 FT/LBS -----> 3/8 BOLTS: 22, 32, 32 FT/LBS

Additional Torque Specifications

Description	Specifications
INJECTOR NUT	105 FT/LBS
PRE-CHAMBER	150 FT/LBS

Tune-up Specifications

Description	Specifications
Intake Valve Lash	.015" COLD
Exhaust Valve Lash	.025" COLD (.635 MM)

The information contained within CTP ABC Gasket Kits Catalog is provided by the best available sources. CTP does not assume responsibility for data accuracy or consequences of its application. Refer to your equipment manual.

TORQUE SPECIFICATIONS

3306

Description	Specifications
Intake Manifold	10-20 FT/LBS
Exhaust Manifold	32-38 FT/LBS
Cylinder Head	115, 175, 175 FT/LBS -----> 3/8 BOLTS: 22,32,32 FT/LBS

Tune-up Specifications

Description	Specifications
Intake Valve Lash	.015" Cold
Exhaust Valve Lash	.025" Cold (.635 MM)

3406E

Description	Specifications
Intake Manifold	10-20 FT/LBS
Exhaust Manifold	32-38 FT/LBS
Cylinder Head	115, 175, 175 FT/LBS -----> 3/8 BOLTS: 22,32,32 FT/LBS

Tune-up Specifications

Description	Specifications
Intake Valve Lash	.015" Cold
Exhaust Valve Lash	.025" Cold (.635 MM)

The information contained within CTP ABC Gasket Kits Catalog is provided by the best available sources. CTP does not assume responsibility for data accuracy or consequences of its application. Refer to your equipment manual.

TORQUE SPECIFICATIONS

3406B

Description	Specifications
Intake Manifold	35 FT/LBS
Exhaust Manifold	33-43 FT/LBS
Cylinder Head	180-220 FT/LBS, 315-345 FT/LBS, 315-345 FT/LBS SEE COMMENTS

Tune-up Specifications

Description	Specifications
Intake Valve Lash	.015" Cold
Exhaust Valve Lash	.030" Cold (.762 MM)

Comments	Diesel 3406B
	Caterpillar Tractor has released an improved cylinder head gasket for all 3406B truck engines. The revised cylinder head gasket carries part# 7E6000 and replaces part# 2W7983, 9Y7786 and 7E3240. Several improvements have been made to the gasket in the armor (fire ring) and front and rear edges of the gasket. A thicker stainless steel armor compensates for the non-asbestos facing material. This should ensure better crush when the cylinder head is torqued in place.
TB #723	Reducing the armor overlap increases loading of the gasket body while reducing the possibility of fluid leaks. The front and rear edges of the gasket body are filled in between the bolt holes. This provides increased support for the armor.
	The revised gasket is coated with single layer of black Teflon (PTFE) on the spacer plate side. The Teflon prevents sticking of the gasket to the aluminium spacer plate. There is no coating on the opposite side.
	Torque the cylinder head bolts in several steps using the torque sequence diagram show below.
	Step 1. Tighten Bolts 1 through 20 in sequence to 200 +/- 20 lbs.ft.
	Step 2. Tighten Bolts 1 through 20 in sequence to 330 +/- 15 lbs.ft.
	Step 3. Retighten Bolts 1 through 20 in sequence to 330 +/- 15 lbs.ft.
	Step 4. Install the rocker arm shaft assembly.
	Step 5. Tighten Bolts 21 through 26 in sequence to 200 +/- 20 lbs.ft.
	Step 6. Tighten Bolts 21 through 26 in sequence to 330 +/- 15 lbs.ft.
	Step 7. Retighten Bolts 21 through 26 in sequence to 330 +/- 15 lbs.ft.
Step 8. Tighten the twelve 3/8" bolts to 32 +/- 5 lbs.ft.	
	Installing the revised head gasket eliminates re-torquing of the head bolts as part of the first service completely. Only the new gasket is being serviced by Caterpillar. All former designs have been discontinued.

The information contained within CTP ABC Gasket Kits Catalog is provided by the best available sources. CTP does not assume responsibility for data accuracy or consequences of its application. Refer to your equipment manual.

TORQUE SPECIFICATIONS

3408

Description	Specifications
Exhaust Manifold	33-43 FT/LBS
Cylinder Head	180-220, 315-345, 315-345#, SM BOLTS 27-37#

Additional Torque Specifications

Description	Specifications
Injector Nut	50-60 FT/LBS
Direct Injector Adapter	140-160 FT/LBS
Fuel Line Nuts	25-35 FT/LBS

Tune-up Specifications

Description	Specifications
Intake Valve Lash	.015" Cold
Exhaust Valve Lash	.030" Cold (.762 MM)

The information contained within CTP ABC Gasket Kits Catalog is provided by the best available sources. CTP does not assume responsibility for data accuracy or consequences of its application. Refer to your equipment manual.

TORQUE SPECIFICATIONS

3412

Description	Specifications
Cylinder Head	See comments

Additional Torque Specifications

Description	Specifications
PRE CUP	150 FT/LBS Injector Nut = 50-60 FT/LBS
Rocker Arm Bolts	180-220, 315-345, 315-345#, VALVE ADJUST SCREW 19-25#

Tune-up Specifications

Description	Specifications
Intake Valve Lash	.015" Cold
Exhaust Valve Lash	.030" Cold (.760 MM)

Comments	Cylinder Head Installation Caution For Caterpillar 3412 Diesel Engines These engines use two different size cylinder head mounting bolts, 3/4" & 3/8". The 3/4" bolts are marked 1 and the 3/8" bolts are marked with a 2 as shown in figure 1 below. Before installing all bolts, apply clean engine oil on the bolt threads and head underside. Then, place all bolts (except 21-26) in their proper locations and follow the 8-step procedure listed below. Refer to figure 1 for the proper torque sequence for the larger 3/4" bolts.
	Step 1. Tighten bolts from 1 to 20 in sequence to 180-220 ft/lbs. (270 +/- 27 nm).
	Step 2. Tighten bolts from 1 to 20 in number sequence to 315-345 ft/lbs. (450 +/- 20 nm).
	Step 3. Tighten bolts from 1 to 20 in number sequence to 315-345 ft/lbs. (450 +/- 20 nm)
	Step 4. Install rocker shaft with rocker arms and place bolts 21-26 in their proper locations.
	Step 5. Tighten bolts from 21 to 26 in number sequence to 180-220 ft/lbs. (270 +/- 27 nm).
	Step 6. Tighten bolts from 21 to 26 in number sequence to 315-345 ft/lbs. (450 +/- 20 nm).
	Step 7. Tighten bolts from 21 to 26 in number sequence to 315-345 ft/lbs. (450 +/- 20 nm).
	Step 8. Tighten the thirteen small bolts to 27-37 ft/lbs. (43 +/- 7 nm).

The information contained within CTP ABC Gasket Kits Catalog is provided by the best available sources. CTP does not assume responsibility for data accuracy or consequences of its application. Refer to your equipment manual.

TORQUE SPECIFICATIONS

3508/3512/3516

Description	Specifications
Exhaust Manifold	LEFT 28-38 FT/LBS
Cylinder Head	ALL: 22FT/LBS, BOLTS #1-8: 200, 330 FT/LBS

Tune-up Specifications

Description	Specifications
Intake Valve Lash	.015" Cold
Exhaust Valve Lash	.030" Cold (.762 MM)

Comments	Cylinder Head Bolt Torque Procedure On Caterpillar 3500 Series Engine
	High Torque Shot-Peened Head
	1. Lubricate the bolt threads and under the head radius with engine oil before assembly. Do not use any other forms of lubricant on the bolt threads.
	2. Tighten all bolts to 18-26 ft/lbs.
	3. Tighten bolts 1-8 in number sequence to 269-321 ft/lbs.
	4. Tighten bolts 1-8 in number sequence to 410-440 ft/lbs.
	Low torque Non Shot-Peened Head
	1. Lubricate the bolt threads and under the head radius with engine oil before assembly. Do not use any other forms of lubricant on the bolt threads.
	2. Tighten all bolts to 18-26 ft/lbs.
	3. Tighten bolts 1-8 in number sequence to 174-226 ft/lbs.
4. Tighten bolts 1-8 in number sequence to 315-345 ft/lbs.	

The information contained within CTP ABC Gasket Kits Catalog is provided by the best available sources. CTP does not assume responsibility for data accuracy or consequences of its application. Refer to your equipment manual.

TORQUE SPECIFICATIONS

3456

Description	Specifications
Main Bearing Caps	190 FT/LBS, + 120°
Connecting Rods	60-72 FT/LBS, + 90°
Cylinder Head Torquing procedure	<i>Torque all bolts in OE recommended sequence</i>
	1st step 200 LB/FT
	2nd step 318 LB/FT
	3rd step 348 LB/FT
	4th step repeat 348 LB/FT
Intake Valve Lash	.015" (.381 mm) COLD
Exhaust Valve Lash	.030" (.762 mm) COLD

D353

Description	Specifications
Main Bearing Caps	ENGINE USING BOLTS 445 FT/LBS
	ENGINE USING NUTS: 135-145 FT/LBS + 120°
Connecting Rods	70-80 FT/LBS, + 55-65°
Cylinder Head Torquing procedure	<i>Torque all bolts in OE recommended sequence</i>
	1st step 180 LB/FT
	2nd step 300 LB/FT
	3rd step repeat 300 LB/FT
Intake Valve Lash	.018" (.457 mm) COLD
Exhaust Valve Lash	.030" (.762 mm) COLD

The information contained within CTP ABC Gasket Kits Catalog is provided by the best available sources. CTP does not assume responsibility for data accuracy or consequences of its application. Refer to your equipment manual.



Costex Tractor Parts
Division of Costex Corporation

Quality with Value Guaranteed™

All contents © Copyright 2019 Costex Tractor Parts. All rights reserved. F-720-076 REV. F